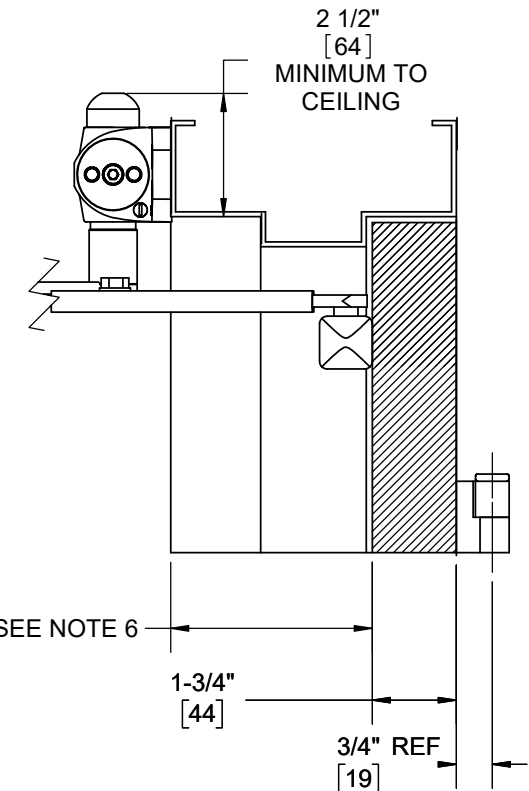
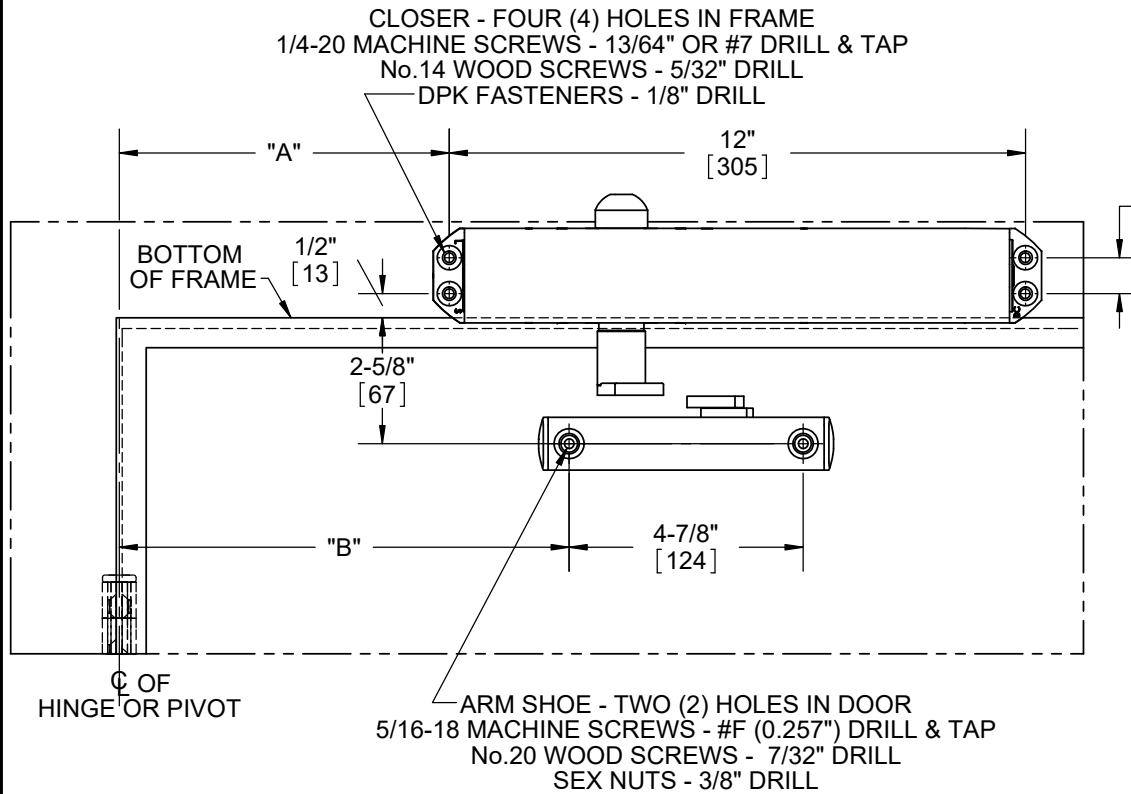


NOTES:

- 1) DO NOT SCALE THIS DRAWING
- 2) DIMENSIONS ARE IN INCHES / [MM]
- 3) RIGHT HAND DOOR IS SHOWN
- 4) CAUTION: SEX NUTS ARE REQUIRED FOR ATTACHMENT OF COMPONENTS TO UNREINFORCED DOORS AND TO WOOD OR PLASTIC FACE COMPOSITE TYPE FIRE DOORS, UNLESS AN ALTERNATIVE METHOD IS IDENTIFIED IN THE INDIVIDUAL DOOR MANUFACTURER'S LISTINGS.
- 5) OPTIONAL DPK FASTENERS (DPK86) FOR STEEL DOOR & FRAME ONLY
- 6) SEE CATALOG FOR REVEAL INFORMATION

ANGLE OF HOLD OPEN	ANGLE OF CUSHION	DIMENSION "A" (CLOSER)	DIMENSION "B" (ARM SHOE)
85°	86° - 96°	7-3/8" [187]	9-7/8" [251]
90°	91° - 101°	6-7/8" [175]	9-3/8" [238]
100°	101° - 111°	6" [152]	8-1/2" [216]



DOOR CLOSER MODELS: 8600 SISJH
 SPRING INTEGRA STOP TOP JAMB INSTALLATION HOLD OPEN
 PUSH SIDE MOUNT

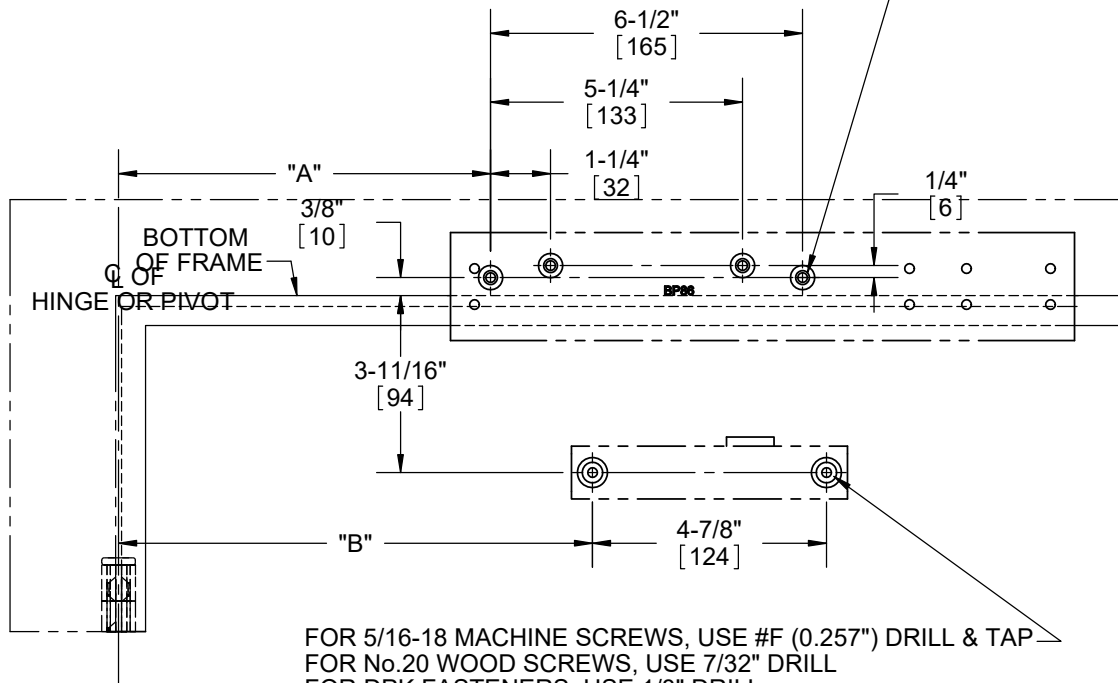


dormakaba USA Inc
 DORMA DRIVE
 REAMSTOWN,
 PA 17567
 800 523 8483

NOTES:

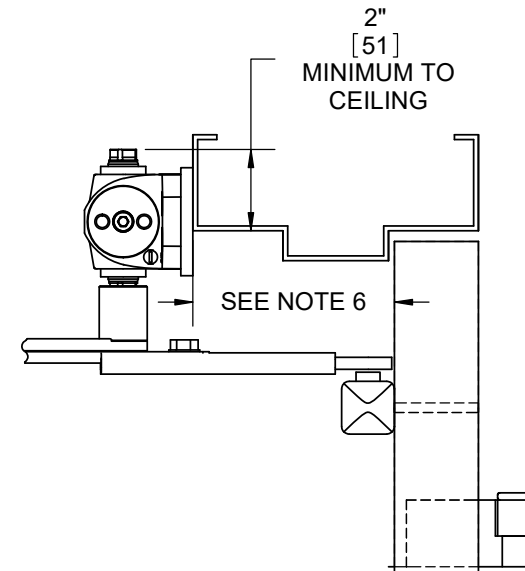
- 1) DO NOT SCALE THIS DRAWING
- 2) DIMENSIONS ARE IN INCHES / [MM]
- 3) RIGHT HAND DOOR IS SHOWN
- 4) CAUTION: SEX NUTS ARE REQUIRED FOR ATTACHMENT OF COMPONENTS TO UNREINFORCED DOORS AND TO WOOD OR PLASTIC FACE COMPOSITE TYPE FIRE DOORS, UNLESS AN ALTERNATIVE METHOD IS IDENTIFIED IN THE INDIVIDUAL DOOR MANUFACTURER'S LISTINGS.
- 5) OPTIONAL DPK FASTENERS (DPK86) FOR STEEL DOOR & FRAME ONLY
- 6) SEE CATALOG FOR REVEAL INFORMATION

FOR 1/4-20 MACHINE SCREWS, USE 13/64" OR #7 DRILL & TAP
 FOR No.14 WOOD SCREWS, USE 5/32" DRILL
 FOR DPK FASTENERS, USE 1/8" DRILL
 FOUR (4) HOLES IN FRAME ARE FOR BACK PLATE (SHOWN)



FOR 5/16-18 MACHINE SCREWS, USE #F (0.257\") DRILL & TAP
 FOR No.20 WOOD SCREWS, USE 7/32\" DRILL
 FOR DPK FASTENERS, USE 1/8\" DRILL
 FOR SEX NUTS, USE 3/8\" DRILL
 TWO (2) HOLES IN DOOR ARE FOR ARM SHOE (SHOWN)

ANGLE OF HOLD OPEN	ANGLE OF CUSHION	DIMENSION "A" (BACK PLATE)	DIMENSION "B" (ARM SHOE)
85°	86° - 96°	7-3/4" [197]	9-7/8" [251]
90°	91° - 101°	7-1/4" [184]	9-3/8" [238]
100°	101° - 111°	6-3/8" [162]	8-1/2" [216]



DOOR CLOSER MODELS: 8616 SISJH
 TOP JAMB INSTALLATION (PUSH SIDE MOUNT)
 WITH BACK PLATES BP86 & BP86FC
 SPRING INTEGRA CUSHION ARM

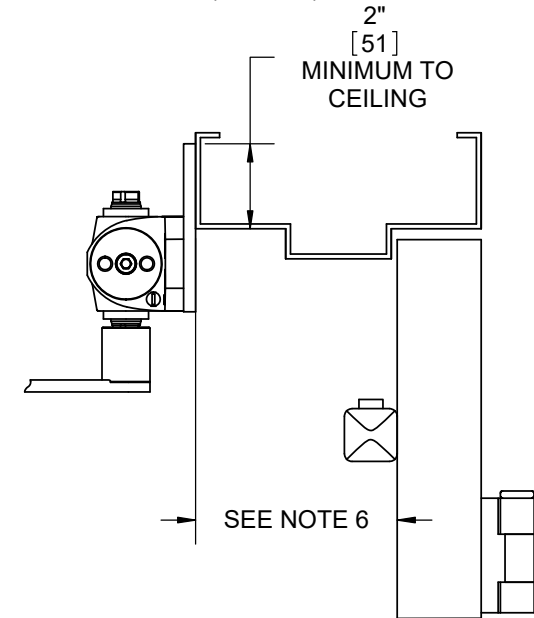
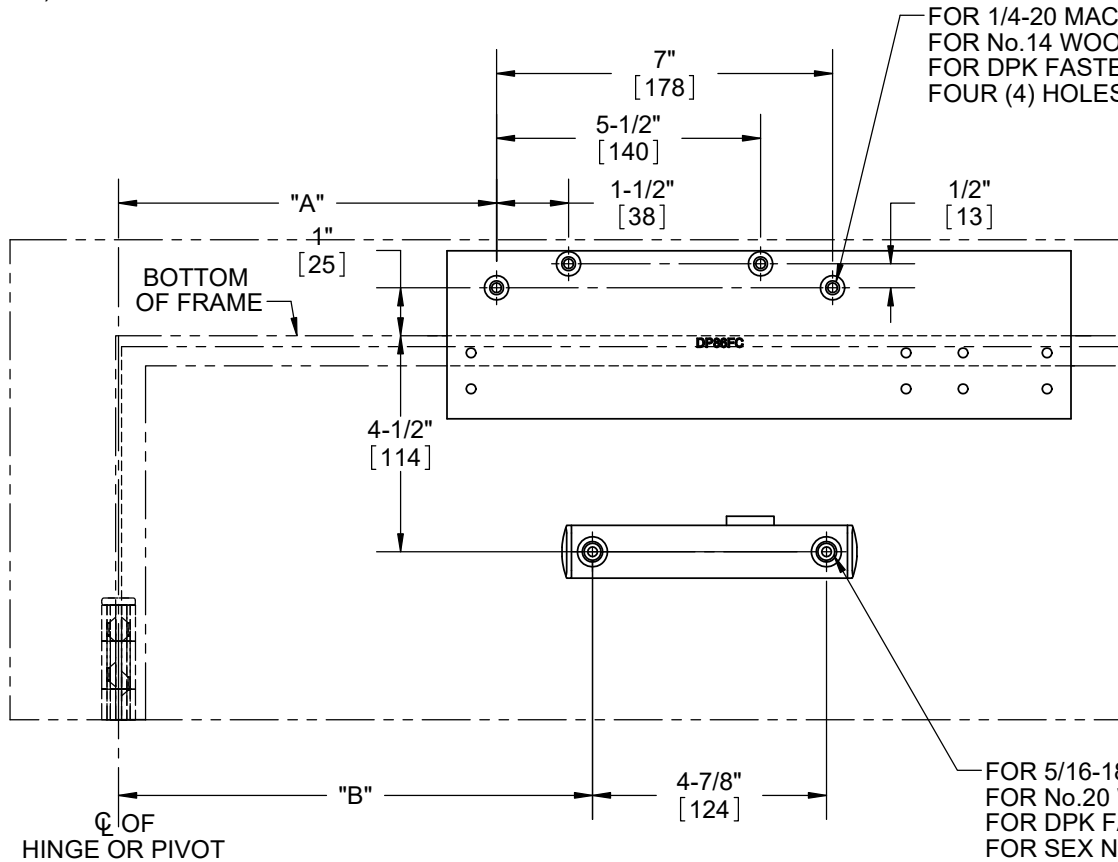


dormakaba USA Inc
 DORMA DRIVE
 REAMSTOWN,
 PA 17567
 800 523 8483

NOTES:

- 1) DO NOT SCALE THIS DRAWING
- 2) DIMENSIONS ARE IN INCHES / [MM]
- 3) RIGHT HAND DOOR IS SHOWN
- 4) CAUTION: SEX NUTS ARE REQUIRED FOR ATTACHMENT OF COMPONENTS TO UNREINFORCED DOORS AND TO WOOD OR PLASTIC FACE COMPOSITE TYPE FIRE DOORS, UNLESS AN ALTERNATIVE METHOD IS IDENTIFIED IN THE INDIVIDUAL DOOR MANUFACTURER'S LISTINGS.
- 5) OPTIONAL DPK FASTENERS (DPK86) FOR STEEL DOOR & FRAME ONLY
- 6) SEE CATALOG FOR REVEAL INFORMATION

ANGLE OF HOLD OPEN	ANGLE OF CUSHION	DIMENSION "A" (DROP PLATE)	DIMENSION "B" (ARM SHOE)
85°	86° - 96°	$\frac{7-7/8"}{[200]}$	$\frac{9-7/8"}{[251]}$
90°	91° - 101°	$\frac{7-3/8"}{[187]}$	$\frac{9-3/8"}{[238]}$
100°	101° - 111°	$\frac{6-1/2"}{[165]}$	$\frac{8-1/2"}{[216]}$



FOR 5/16-18 MACHINE SCREWS, USE #F (0.257") DRILL & TAP
 FOR No.20 WOOD SCREWS, USE 7/32" DRILL
 FOR DPK FASTENERS, USE 1/8" DRILL
 FOR SEX NUTS, USE 3/8" DRILL
 TWO (2) HOLES IN DOOR ARE FOR ARM SHOE (SHOWN)

**DOOR CLOSER MODELS: 8616 SISJH
 TOP JAMB INSTALLATION (PUSH SIDE MOUNT)
 WITH DROP PLATE DP86
 SPRING INTEGRA CUSHION ARM**



dormakaba USA Inc
 DORMA DRIVE
 REAMSTOWN,
 PA 17567
 800 523 8483