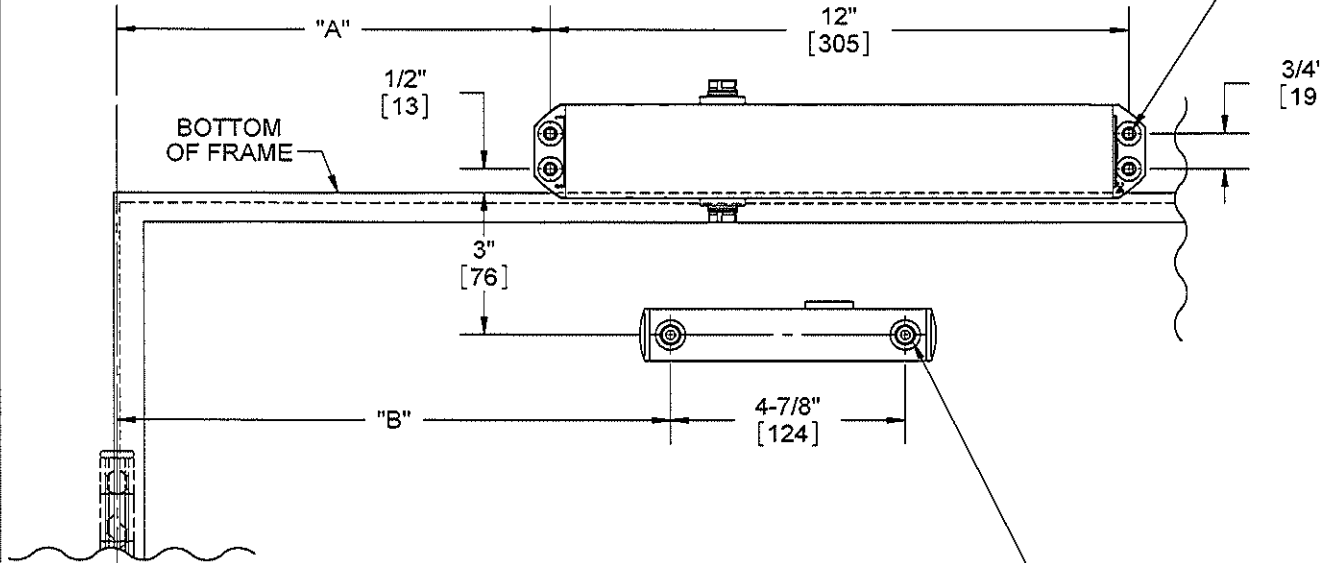


**NOTES:**

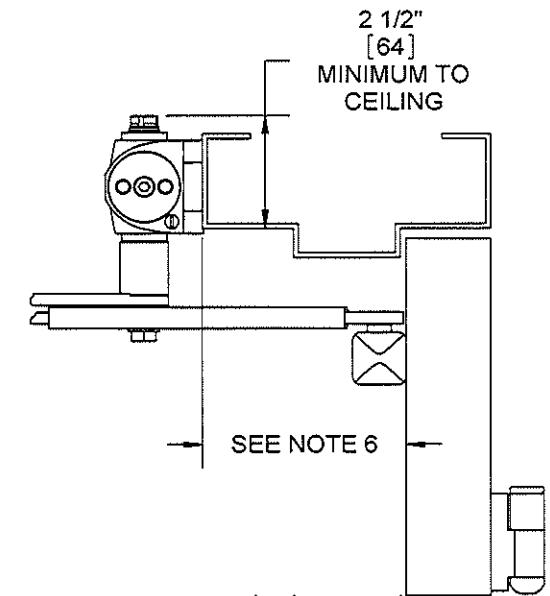
- 1) DO NOT SCALE THIS DRAWING
- 2) DIMENSIONS ARE IN INCHES / [MM]
- 3) RIGHT HAND DOOR IS SHOWN
- 4) CAUTION: SEX NUTS ARE REQUIRED FOR ATTACHMENT OF COMPONENTS TO UNREINFORCED DOORS AND TO WOOD OR PLASTIC FACE COMPOSITE TYPE FIRE DOORS, UNLESS AN ALTERNATIVE METHOD IS IDENTIFIED IN THE INDIVIDUAL DOOR MANUFACTURER'S LISTINGS.
- 5) OPTIONAL DPK FASTENERS (DPK86) FOR STEEL DOOR & FRAME ONLY
- 6) SEE CATALOG FOR REVEAL INFORMATION

FOR 1/4-20 MACHINE SCREWS, USE 13/64" OR #7 DRILL & TAP  
 FOR No.14 WOOD SCREWS, USE 5/32" DRILL  
 FOR DPK FASTENERS, USE 1/8" DRILL  
 FOUR (4) HOLES IN FRAME ARE FOR CLOSER (SHOWN)

ANGLE OF CUSHION	DIMENSION "A" (CLOSER)	DIMENSION "B" (ARM SHOE)
83° - 85°	9" [229]	11-1/2" [292]
88° - 90°	8-3/8" [213]	10-7/8" [276]
98° - 100°	7-1/2" [191]	10" [254]
108° - 110°	6-7/8" [175]	9-3/8" [238]



FOR 5/16-18 MACHINE SCREWS, USE #F (0.257") DRILL & TAP  
 FOR No.20 WOOD SCREWS, USE 7/32" DRILL  
 FOR DPK FASTENERS, USE 1/8" DRILL  
 FOR SEX NUTS, USE 3/8" DRILL  
 TWO (2) HOLES IN DOOR ARE FOR ARM SHOE (SHOWN)



DOOR CLOSER MODELS: 8616 SISJ  
 TOB JAMB INSTALLATION (PUSH SIDE MOUNT)  
 SPRING INTEGRA CUSHION ARM

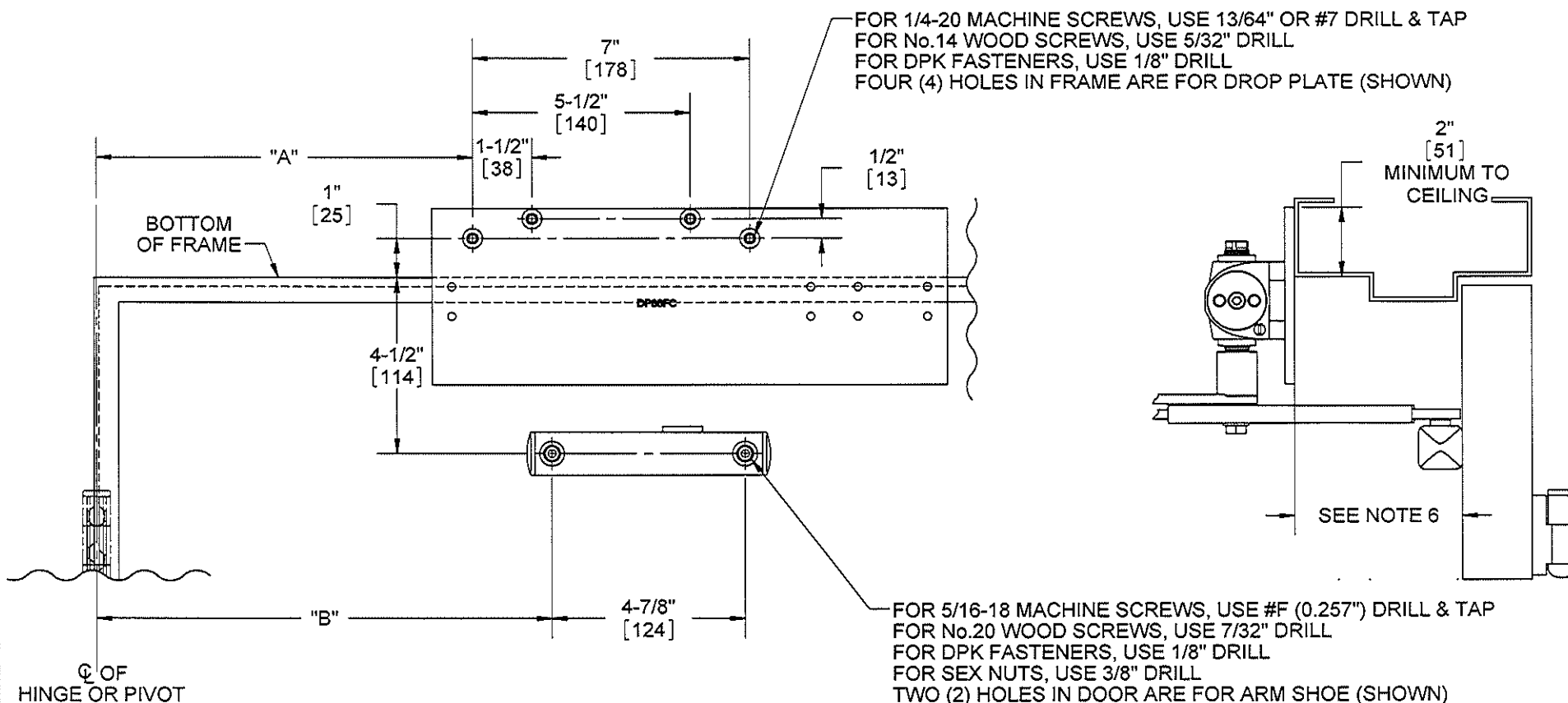


DORMA Architectural Hardware  
 Reamstown, PA 17567

NOTES:

- 1) DO NOT SCALE THIS DRAWING
- 2) DIMENSIONS ARE IN INCHES / [MM]
- 3) RIGHT HAND DOOR IS SHOWN
- 4) CAUTION: SEX NUTS ARE REQUIRED FOR ATTACHMENT OF COMPONENTS TO UNREINFORCED DOORS AND TO WOOD OR PLASTIC FACE COMPOSITE TYPE FIRE DOORS, UNLESS AN ALTERNATIVE METHOD IS IDENTIFIED IN THE INDIVIDUAL DOOR MANUFACTURER'S LISTINGS.
- 5) OPTIONAL DPK FASTENERS (DPK86) FOR STEEL DOOR & FRAME ONLY
- 6) SEE CATALOG FOR REVEAL INFORMATION

ANGLE OF CUSHION	DIMENSION "A" (DROP PLATE)	DIMENSION "B" (ARM SHOE)
83° - 85°	9-1/2" [241]	11-1/2" [292]
88° - 90°	8-7/8" [225]	10-7/8" [276]
98° - 100°	8" [203]	10" [254]
108° - 110°	7-3/8" [187]	9-3/8" [238]



DOOR CLOSER MODELS: 8616 SISJ  
 TOB JAMB INSTALLATION (PUSH SIDE MOUNT)  
 WITH BACK PLATE DP86  
 SPRING INTEGRA CUSHION ARM



DORMA Architectural Hardware  
 Reamstown, PA 17567