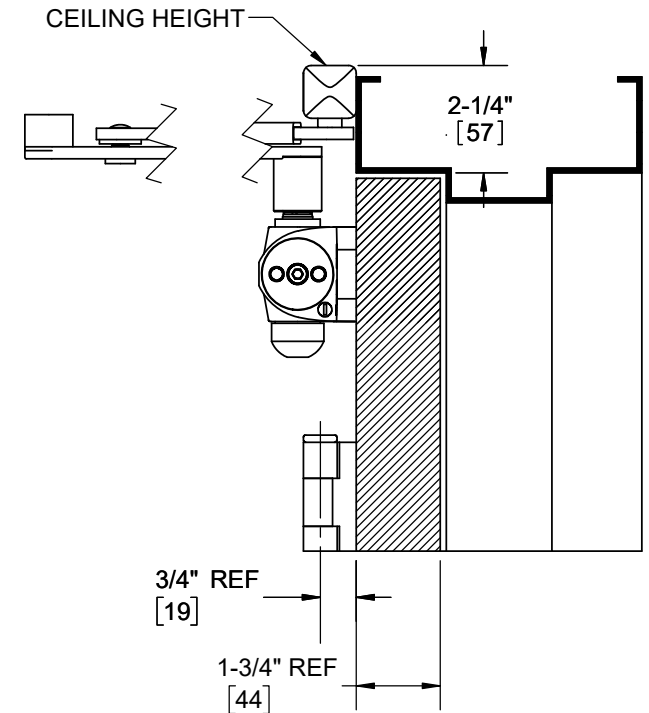
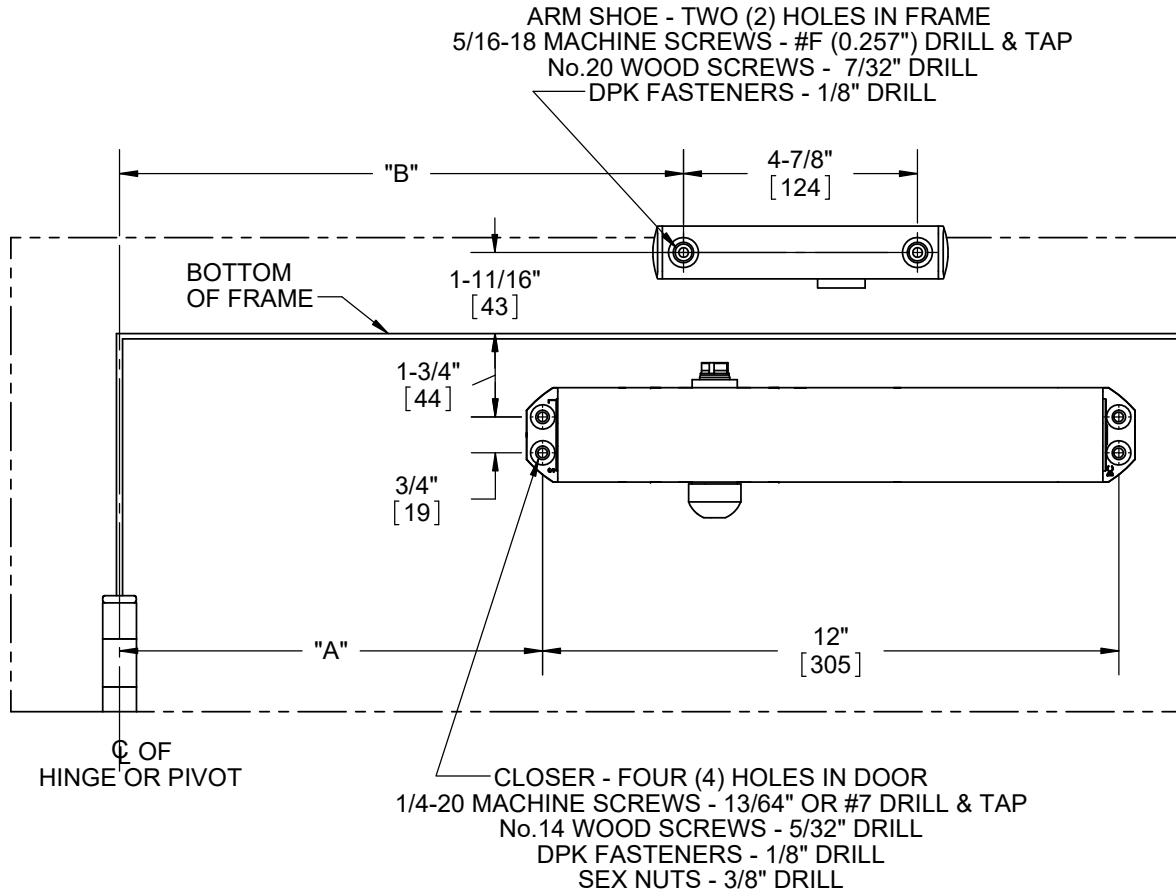


NOTES:

- 1) DO NOT SCALE THIS DRAWING
- 2) DIMENSIONS ARE IN INCHES / [MM]
- 3) RIGHT HAND DOOR IS SHOWN
- 4) CAUTION: SEX NUTS ARE REQUIRED FOR ATTACHMENT OF COMPONENTS TO UNREINFORCED DOORS AND TO WOOD OR PLASTIC FACE COMPOSITE TYPE FIRE DOORS, UNLESS AN ALTERNATIVE METHOD IS IDENTIFIED IN THE INDIVIDUAL DOOR MANUFACTURER'S LISTINGS.
- 5) OPTIONAL DPK FASTENERS (DPK86) FOR STEEL DOOR & FRAME ONLY.

ANGLE OF CUSHION	DIMENSION "A" (CLOSER)	DIMENSION "B" (ARM SHOE)
83° - 85°	9-3/8" [238]	12-1/4" [311]
88° - 90°	8-7/8" [225]	11-3/4" [298]
98° - 100°	7-7/8" [200]	10-3/4" [273]
108° - 110°	7-1/8" [181]	10" [254]



DOOR CLOSER MODELS: 8600 SIS
 SPRING INTEGRA STOP REGULAR INSTALLATION
 PULL SIDE MOUNT

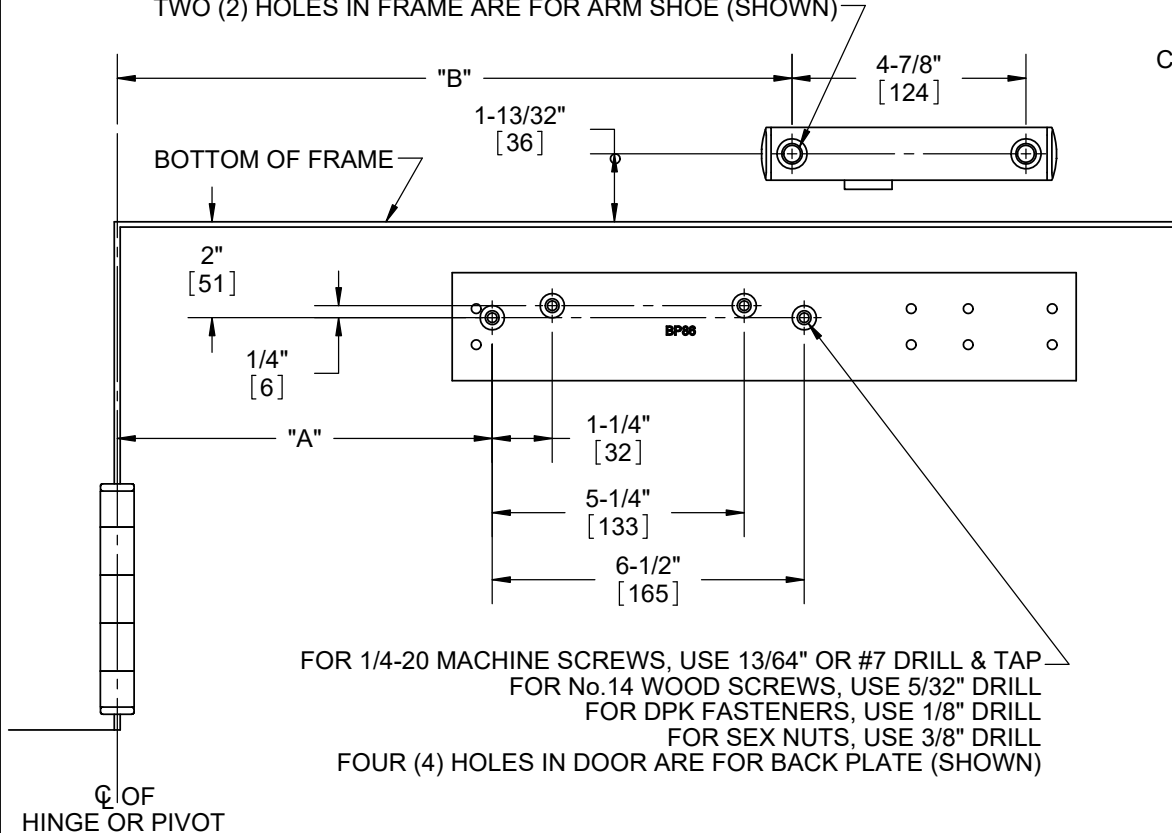


dormakaba USA Inc
 DORMA DRIVE
 REAMSTOWN,
 PA 17567
 800 523 8483

NOTES:

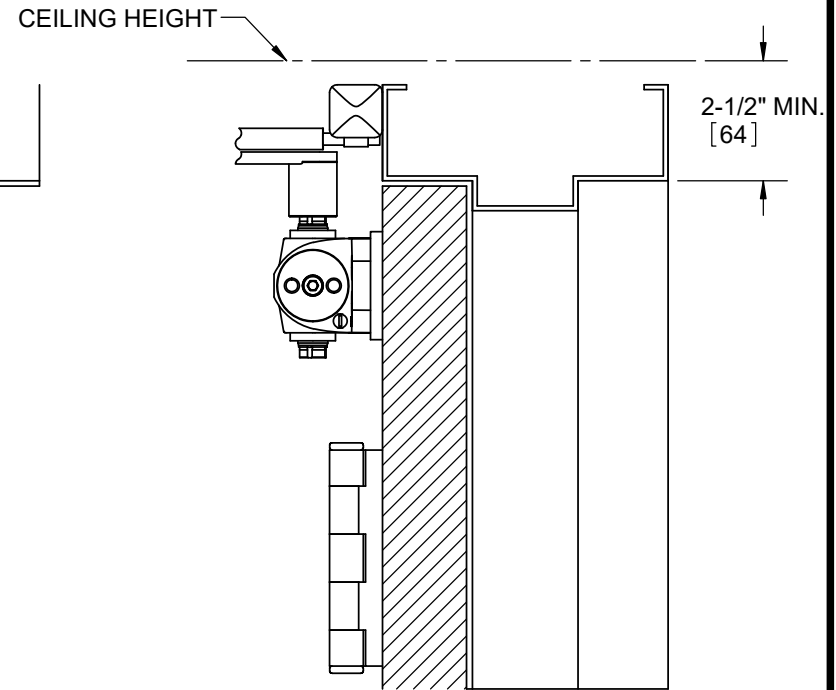
- 1) DO NOT SCALE THIS DRAWING
- 2) DIMENSIONS ARE IN INCHES / [MM]
- 3) RIGHT HAND DOOR IS SHOWN
- 4) CAUTION: SEX NUTS ARE REQUIRED FOR ATTACHMENT OF COMPONENTS TO UNREINFORCED DOORS AND TO WOOD OR PLASTIC FACE COMPOSITE TYPE FIRE DOORS, UNLESS AN ALTERNATIVE METHOD IS IDENTIFIED IN THE INDIVIDUAL DOOR MANUFACTURER'S LISTINGS.
- 5) OPTIONAL DPK FASTENERS (DPK86) FOR STEEL DOOR & FRAME ONLY.

FOR 5/16-18 MACHINE SCREWS, USE #F (0.257") DRILL & TAP
 FOR No.20 WOOD SCREWS, USE 7/32" DRILL
 FOR DPK FASTENERS, USE 1/8" DRILL
 TWO (2) HOLES IN FRAME ARE FOR ARM SHOE (SHOWN)



FOR 1/4-20 MACHINE SCREWS, USE 13/64" OR #7 DRILL & TAP
 FOR No.14 WOOD SCREWS, USE 5/32" DRILL
 FOR DPK FASTENERS, USE 1/8" DRILL
 FOR SEX NUTS, USE 3/8" DRILL
 FOUR (4) HOLES IN DOOR ARE FOR BACK PLATE (SHOWN)

ANGLE OF CUSHION	DIMENSION "A" (BACK PLATE)	DIMENSION "B" (ARM SHOE)
83° - 85°	9-3/4" [248]	12-1/4" [311]
88° - 90°	9-1/4" [235]	11-3/4" [298]
98° - 100°	8-1/4" [210]	10-3/4" [273]
108° - 110°	7-1/2" [191]	10" [254]



DOOR CLOSER MODELS: 8616 SIS
 REGULAR INSTALLATION (PULL SIDE MOUNT)
 WITH BACK PLATES BP86 & BP86FC
 SPRING INTEGRA CUSHION ARM



dormakaba USA Inc
 DORMA DRIVE
 REAMSTOWN,
 PA 17567
 800 523 8483