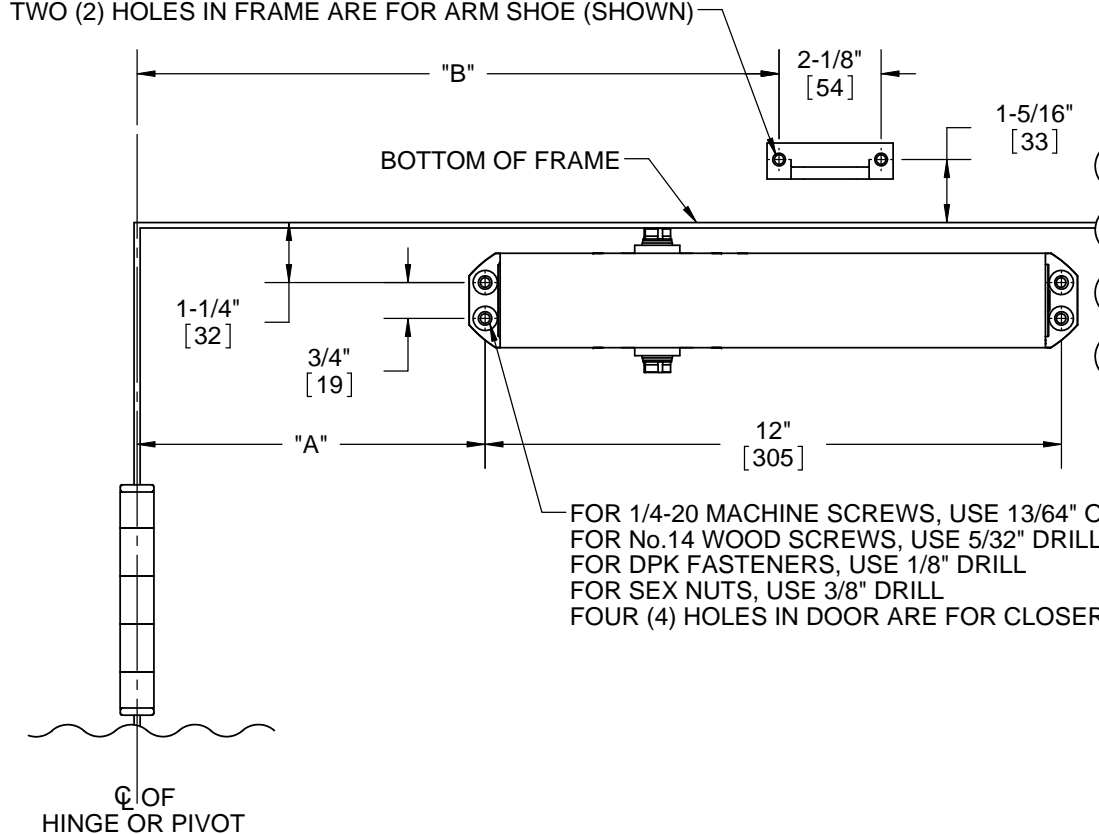


NOTES:

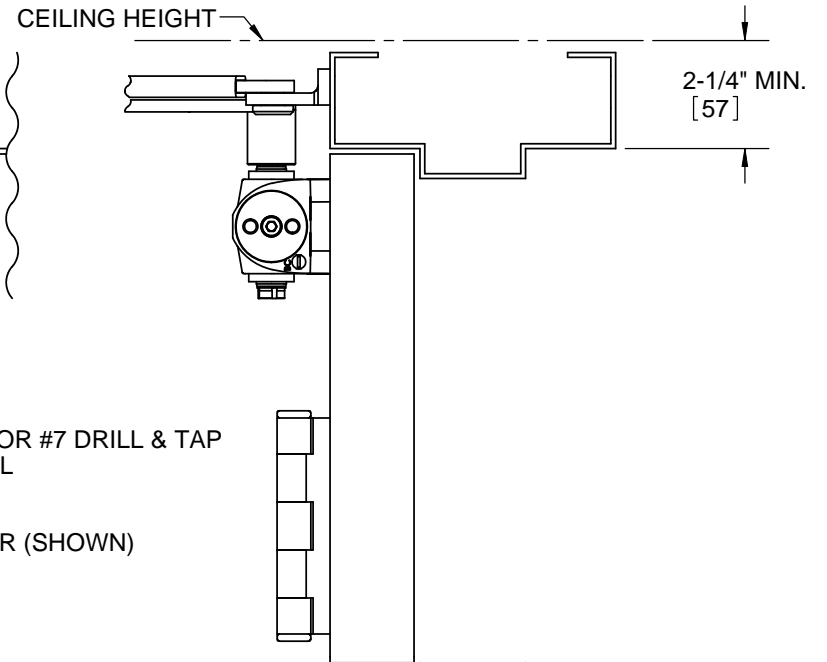
- 1) DO NOT SCALE THIS DRAWING
- 2) DIMENSIONS ARE IN INCHES / [MM]
- 3) RIGHT HAND DOOR IS SHOWN
- 4) CAUTION: SEX NUTS ARE REQUIRED FOR ATTACHMENT OF COMPONENTS TO UNREINFORCED DOORS AND TO WOOD OR PLASTIC FACE COMPOSITE TYPE FIRE DOORS, UNLESS AN ALTERNATIVE METHOD IS IDENTIFIED IN THE INDIVIDUAL DOOR MANUFACTURER'S LISTINGS.
- 5) OPTIONAL DPK FASTENERS (DPK86) FOR STEEL DOOR & FRAME ONLY.

FOR 1/4-20 MACHINE SCREWS, USE 13/64" OR #7 DRILL & TAP
 FOR No.14 WOOD SCREWS, USE 5/32" DRILL
 FOR DPK FASTENERS, USE 1/8" DRILL
 TWO (2) HOLES IN FRAME ARE FOR ARM SHOE (SHOWN)



FOR 1/4-20 MACHINE SCREWS, USE 13/64" OR #7 DRILL & TAP
 FOR No.14 WOOD SCREWS, USE 5/32" DRILL
 FOR DPK FASTENERS, USE 1/8" DRILL
 FOR SEX NUTS, USE 3/8" DRILL
 FOUR (4) HOLES IN DOOR ARE FOR CLOSER (SHOWN)

ANGLE OF HOLD OPEN	ANGLE OF CUSHION	DIMENSION "A" (CLOSER)	DIMENSION "B" (ARM SHOE)
85°	86° - 88°	7-1/4" [184]	13-3/8" [340]
90°	91° - 93°	6-5/8" [168]	12-3/4" [324]
95°	96° - 98°	6-1/8" [156]	12-3/8" [314]
100°	101° - 103°	5-3/4" [146]	11-7/8" [302]
105°	106° - 108°	5-3/8" [137]	11-1/2" [292]
110°	111° - 113°	5" [127]	11-1/8" [283]



DOOR CLOSER MODELS: 8616 ISH
 REGULAR INSTALLATION (PULL SIDE MOUNT)
 INTEGRA CUSHION ARM

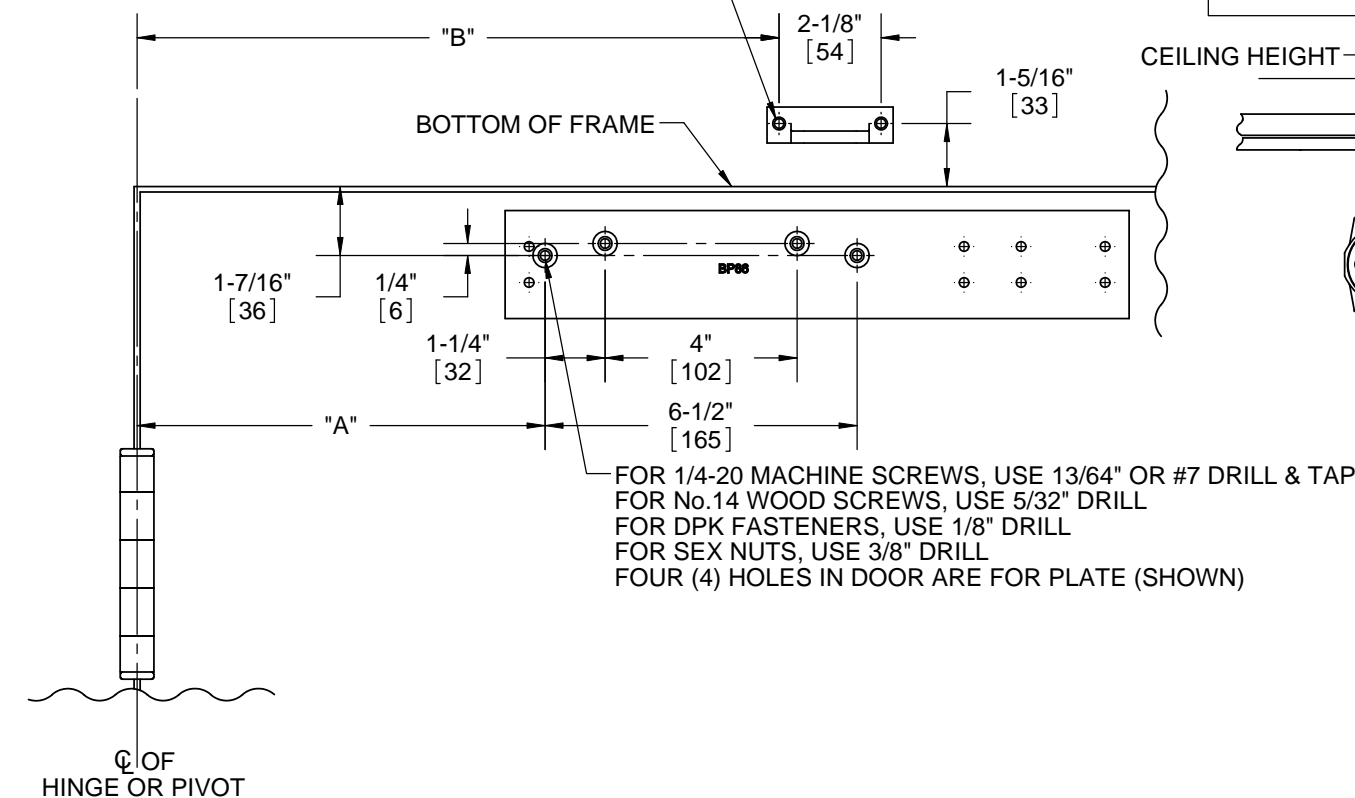


DORMA Architectural Hardware
 Reamstown, PA 17567

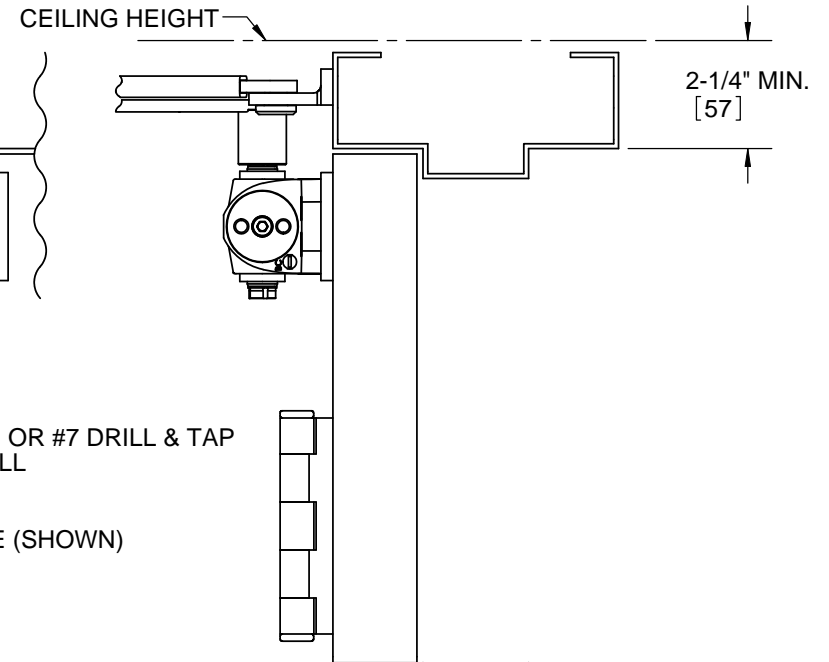
NOTES:

- 1) DO NOT SCALE THIS DRAWING
- 2) DIMENSIONS ARE IN INCHES / [MM]
- 3) RIGHT HAND DOOR IS SHOWN
- 4) CAUTION: SEX NUTS ARE REQUIRED FOR ATTACHMENT OF COMPONENTS TO UNREINFORCED DOORS AND TO WOOD OR PLASTIC FACE COMPOSITE TYPE FIRE DOORS, UNLESS AN ALTERNATIVE METHOD IS IDENTIFIED IN THE INDIVIDUAL DOOR MANUFACTURER'S LISTINGS.
- 5) OPTIONAL DPK FASTENERS (DPK86) FOR STEEL DOOR & FRAME ONLY.

FOR 1/4-20 MACHINE SCREWS, USE 13/64" OR #7 DRILL & TAP
 FOR No.14 WOOD SCREWS, USE 5/32" DRILL
 FOR DPK FASTENERS, USE 1/8" DRILL
 TWO (2) HOLES IN FRAME ARE FOR ARM SHOE (SHOWN)



ANGLE OF HOLD OPEN	ANGLE OF CUSHION	DIMENSION "A" (CLOSER)	DIMENSION "B" (ARM SHOE)
85°	86° - 88°	$\frac{7-5/8"}{[194]}$	$\frac{13-3/8"}{[340]}$
90°	91° - 93°	$\frac{6-15/16"}{[176]}$	$\frac{12-3/4"}{[324]}$
95°	96° - 98°	$\frac{6-7/16"}{[164]}$	$\frac{12-3/8"}{[314]}$
100°	101° - 103°	$\frac{6-1/16"}{[154]}$	$\frac{11-7/8"}{[302]}$
105°	106° - 108°	$\frac{5-3/4"}{[146]}$	$\frac{11-1/2"}{[292]}$
110°	111° - 113°	$\frac{5-5/16"}{[135]}$	$\frac{11-1/8"}{[383]}$



DOOR CLOSER MODELS: 8616 ISH
 REGULAR INSTALLATION (PULL SIDE MOUNT)
 WITH PLATES BP86 & BP86FC
 INTEGRA CUSHION ARM



DORMA Architectural Hardware
 Reamstown, PA 17567