

8600 PT/PTH

Track installation push side mount
and drop plate (DP86)

Installation instructions

08280501 – 01-2021







| EN |

Table of contents

1	Technical specifications	3
1.1	Overview	3
1.2	Tools recommended	3
1.3	Handing the door	3
2	Instructions - track mount	4
2.1	Installing drop plate (optional) and surface closer	4
2.2	Assemble and secure track	4
2.3	Securing main arm to closer	4
3	Adjustments	5
3.1	Adjust closing speeds: sweep, latch, backcheck, delayed action	5
3.2	Adjust hold open (optional)	5
3.3	Adjust spring force	6
4	Install covers	6

1 Technical specifications

1.1 Overview

-  Caution: sex nuts are required for attachment of components to unreinforced doors and to wood or plastic faced composite type fire doors, unless an alternative method is identified in the individual door manufacturer’s listings.
-  Maximum door opening degree is 180°.
-  Arrow on backplate points upward.
-  Know the swing of the door which is being installed prior to installation.
-  Verify closer spring size prior to installation.
-  Make sure door efficiently operates prior to installing closer.

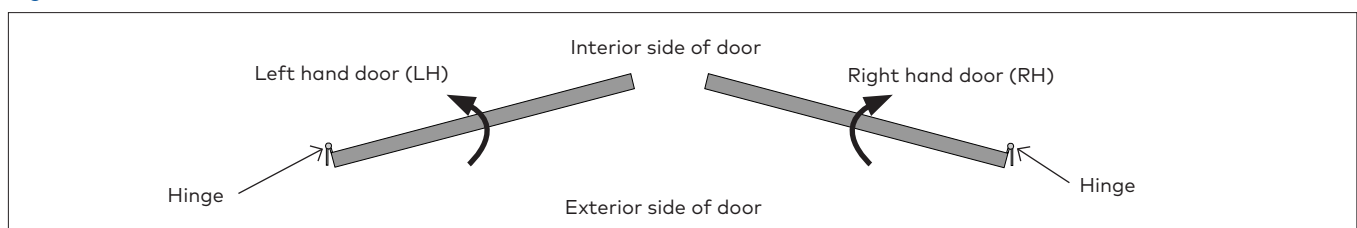
1.2 Tools recommended

Table 1

Drill bits:	#3 Phillips screwdriver
Metal: 7/32" drill bit; 1/4-20 tap	3/16" flat head screwdriver
Wood: 3/8" and 5/32" bit	5mm hex key
1/2" box wrench	

1.3 Handing the door

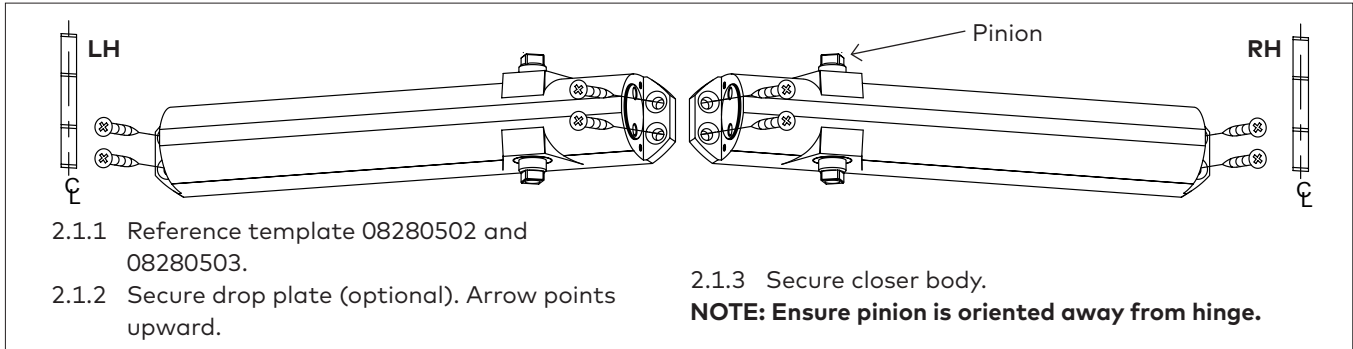
Fig.1



2 Instructions - track mount

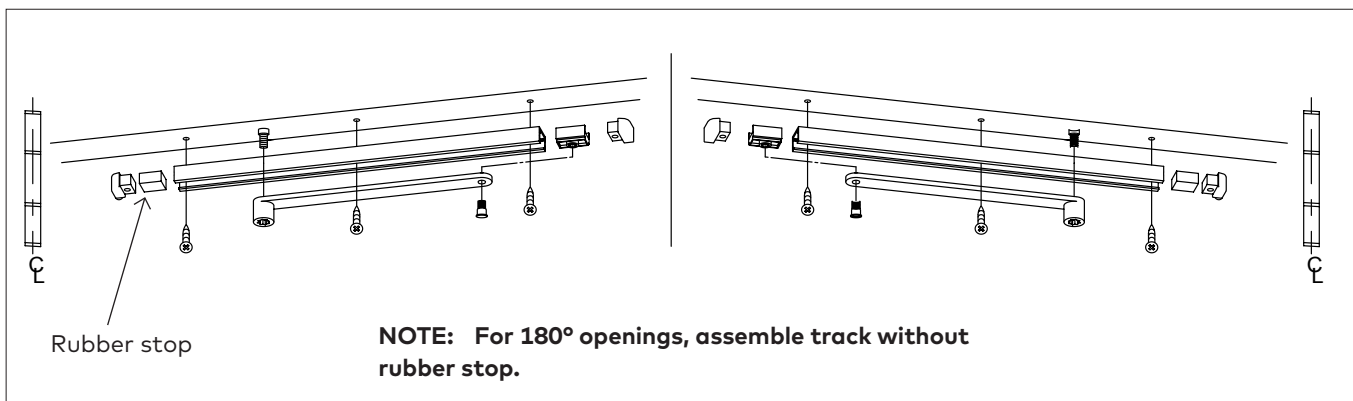
2.1 Installing drop plate (optional) and surface closer

Fig.2



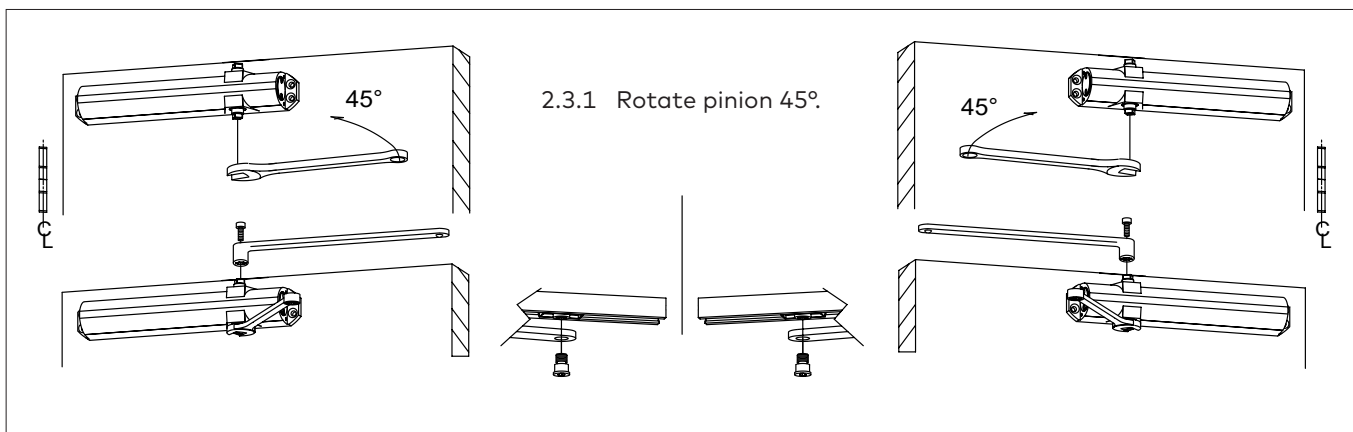
2.2 Assemble and secure track

Fig.3








2.3 Securing main arm to closer

Fig.4



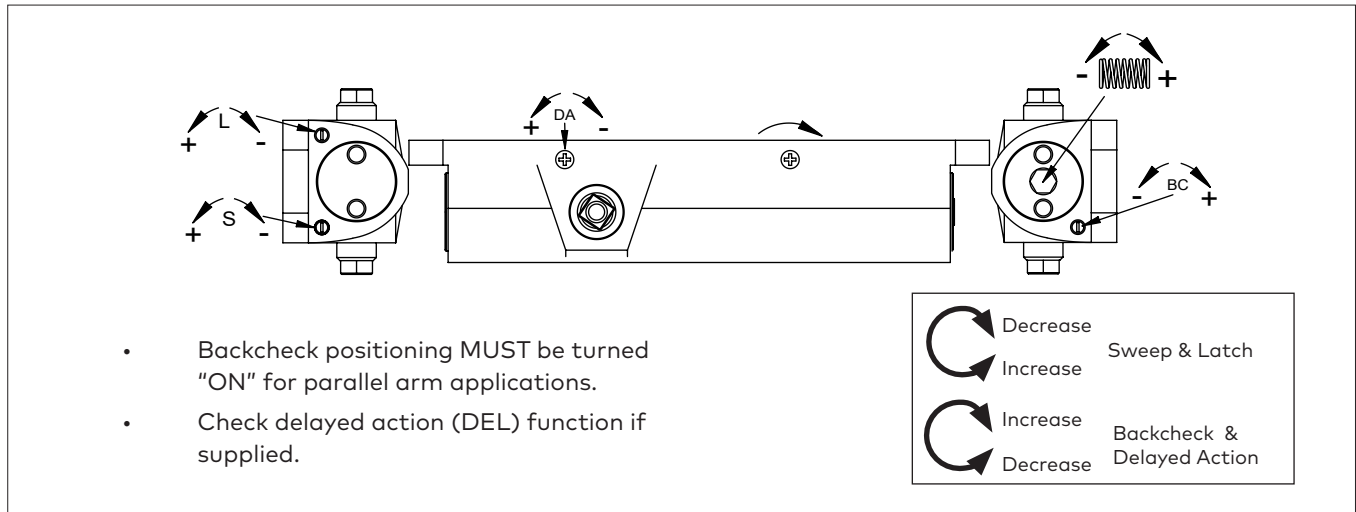
3 Adjustments

-  Confirm closer spring size prior to making any closing speed adjustments.
-  Do not back valve heads out beyond closer casting.

-  Maximum opening angle is 180°.
-  Door should close in 3 to 6 seconds from 90°.
-  Do not close valves completely.

3.1 Adjust closing speeds: sweep, latch, backcheck, delayed action

Fig.5



3.1.1 Adjust **closing sweep speed**: 90° to start of latch speed.

- Increase sweep speed: Turn valve counter-clockwise
- Decrease sweep speed: Turn valve clockwise.

3.1.2 Adjust **closing latch speed**: 15° to close.

- Increase latch speed: Turn valve counter-clockwise

3.1.3 Adjust **opening backcheck**: beginning at 70°.

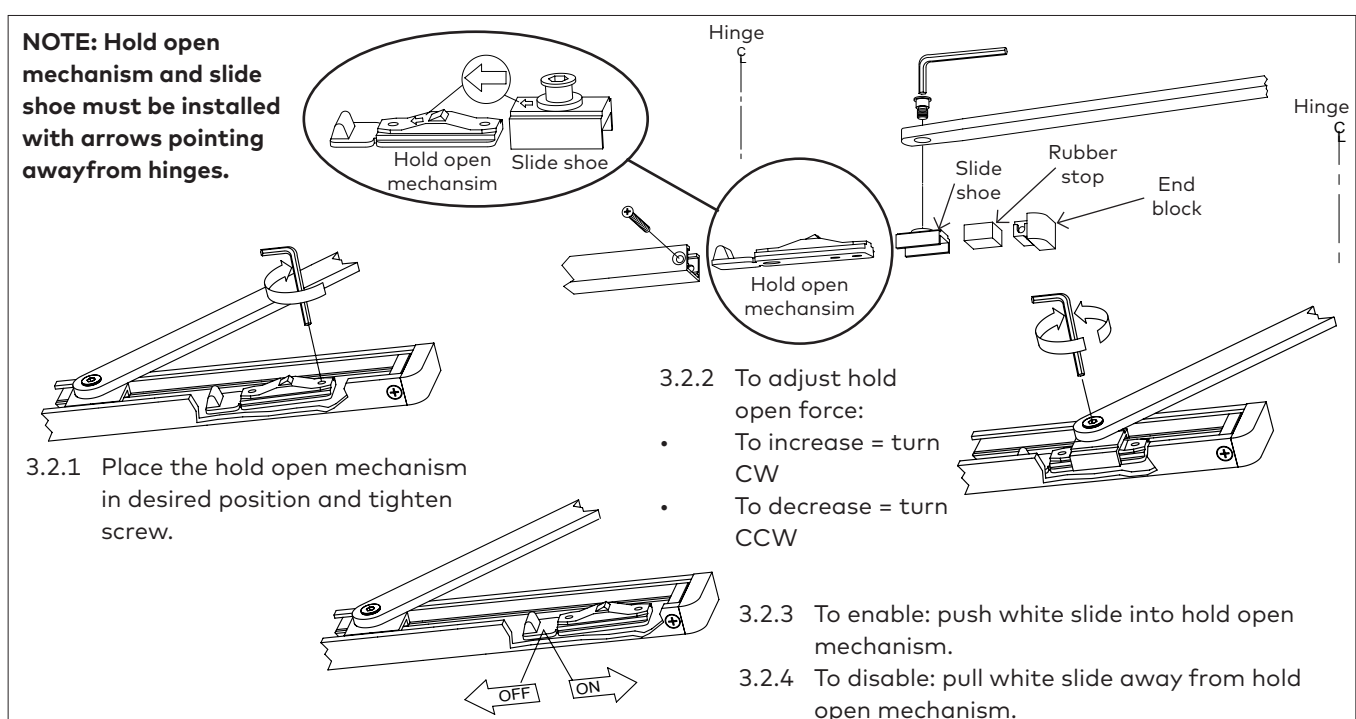
- Increase resistance: Turn valve clockwise
- Decrease resistance: Turn valve counter-clockwise.

3.1.4 Adjust **closing delayed action**: angle 90° to start of sweep.

- Increase delayed action: Turn valve clockwise
- Decrease delayed action: Turn valve counter-clockwise

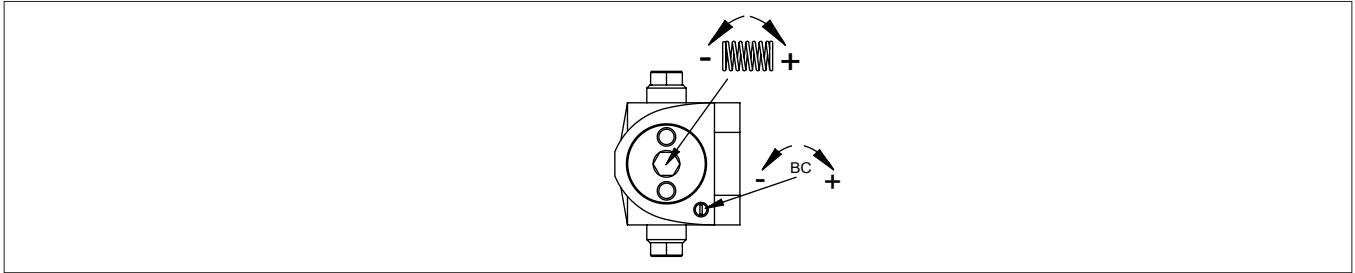
3.2 Adjust hold open (optional)

Fig.6



3.3 Adjust spring force

Fig.7



Track mount				
	Closer size	Max door weight (lbs)	Door width	Full turns
			Interior	
	4	100	2'-6"	+8
	5	125	3'	+16
	6	150	3'-6"	+24

4 Install covers

Fig.8

