

8616 AF/AFJ/AFP

Flat arm for regular, top jamb and parallel mounts
No hold open

Installation instructions

08279001 – 01-2021

| EN |







dormakaba 

Table of contents

1	Technical specifications	3
1.1	Overview	3
1.2	Tools recommended	3
1.3	Handing the door	3
2	Installation - regular mount	4
2.1	Surface closer system	4
2.2	Installing the surface closer and backplate (optional)	4
2.3	Installing main arm	4
3	Instructions - top jamb mount	5
3.1	Surface closer system	5
3.2	Installing the surface closer and (optional) plate	5
3.3	Installing main arm	5
4	Instructions - parallel mount	6
4.1	Surface closer system	6
4.2	Installing the surface closer and drop plate (optional)	6
4.3	Installing PA bracket and main arm	6
5	Adjustments	7
5.1	Adjust closing speeds: sweep, latch, backcheck, delayed action	7
5.2	Adjust spring force	8
6	Install covers	8

1 Technical specifications

1.1 Overview

-  Caution: sex nuts are required for attachment of components to unreinforced doors and to wood or plastic faced composite type fire doors, unless an alternative method is identified in the individual door manufacturer’s listings.
-  Maximum door opening degree is 180°.
-  Maximum 4-1/2" reveal on top jamb mounts for 180° degree openings.
-  Know the swing of the door which is being installed prior to installation.
-  Verify closer spring size prior to installation.
-  Make sure door efficiently operates prior to installing closer.

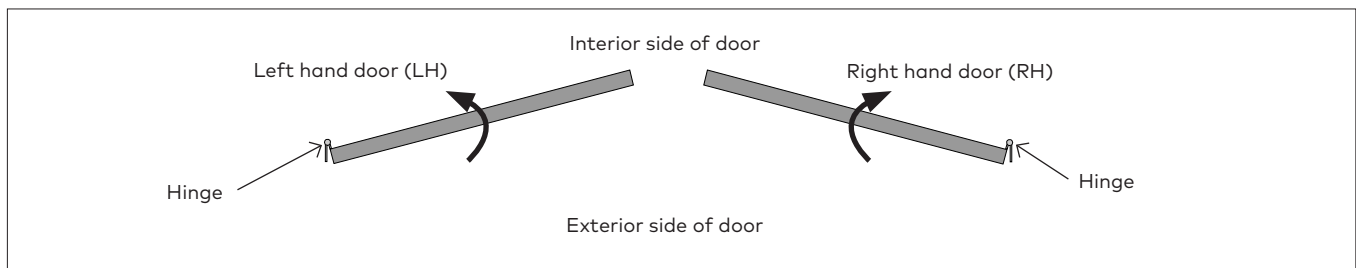
1.2 Tools recommended

Table 1

Drill bits:	#3 Phillips screwdriver
Metal: 7/32" drill bit; 1/4-20 tap	3/16" flat head screwdriver
Wood: 3/8" and 5/32" bit	5mm hex key
1/2" box wrench	7/16" box wrench

1.3 Handing the door

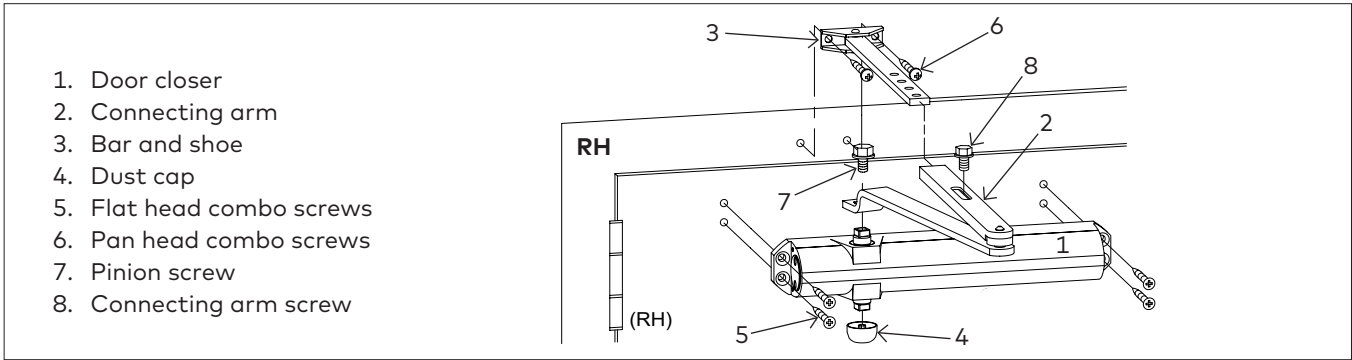
Fig.1



2 Installation - regular mount

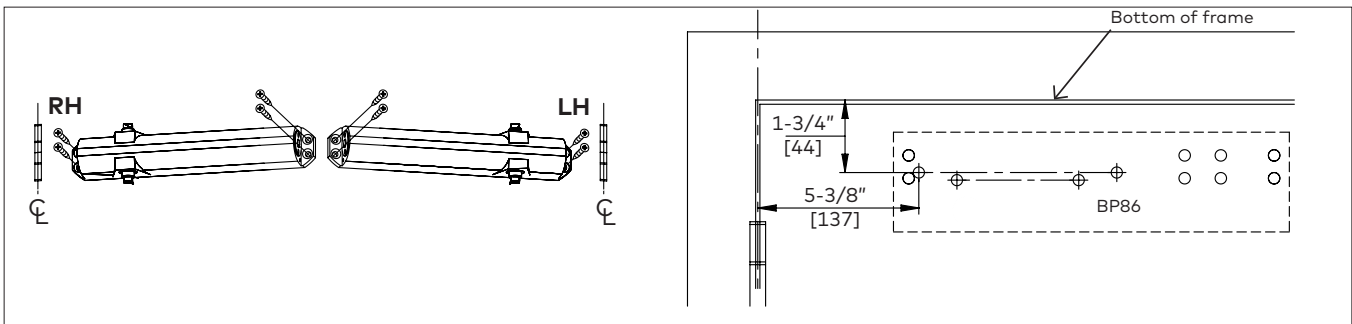
2.1 Surface closer system

Fig.2



2.2 Installing the surface closer and backplate (optional)

Fig.3

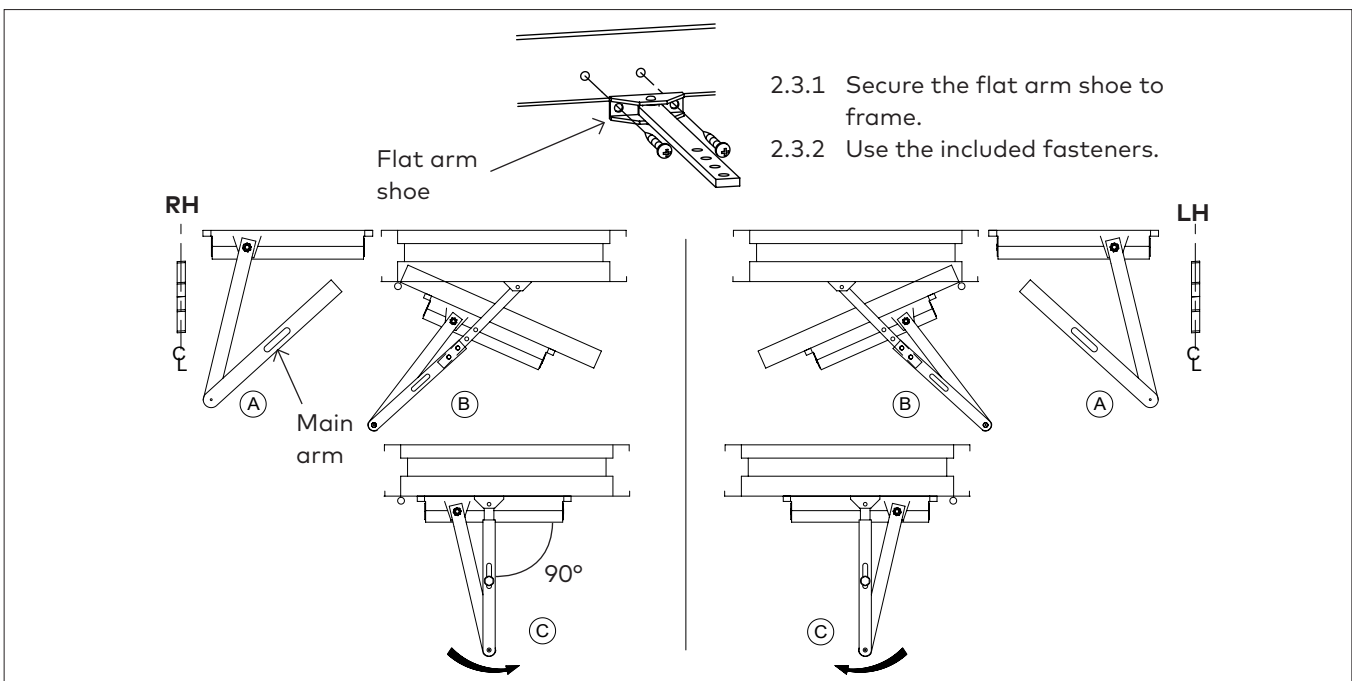


NOTE: Orient pinion toward the hinge.

2.2.1 Secure closer body and/or backplate to door.

2.3 Installing main arm

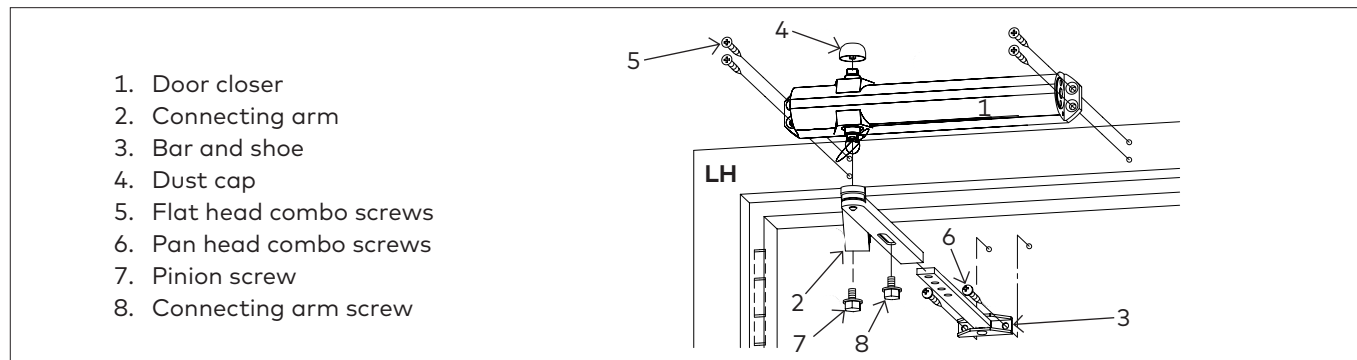
Fig.4



3 Instructions - top jamb mount

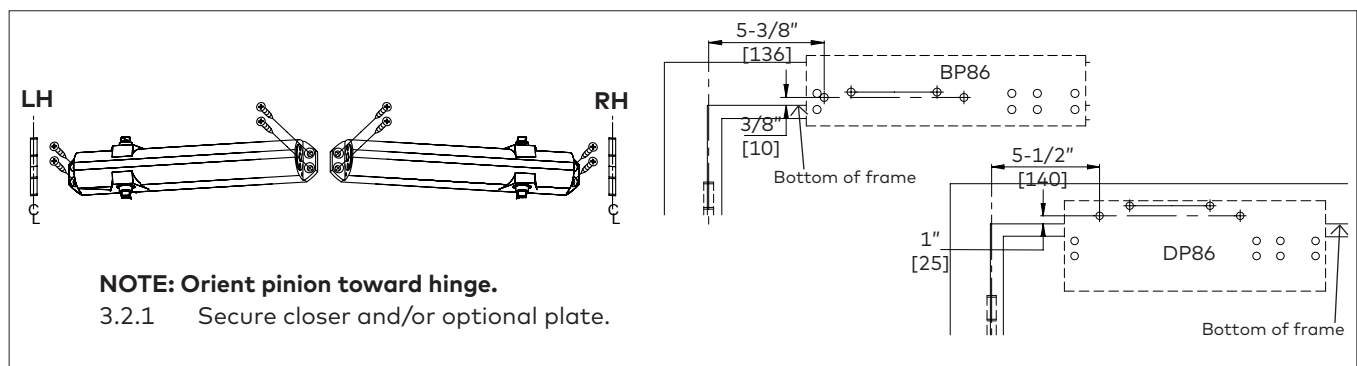
3.1 Surface closer system

Fig.5



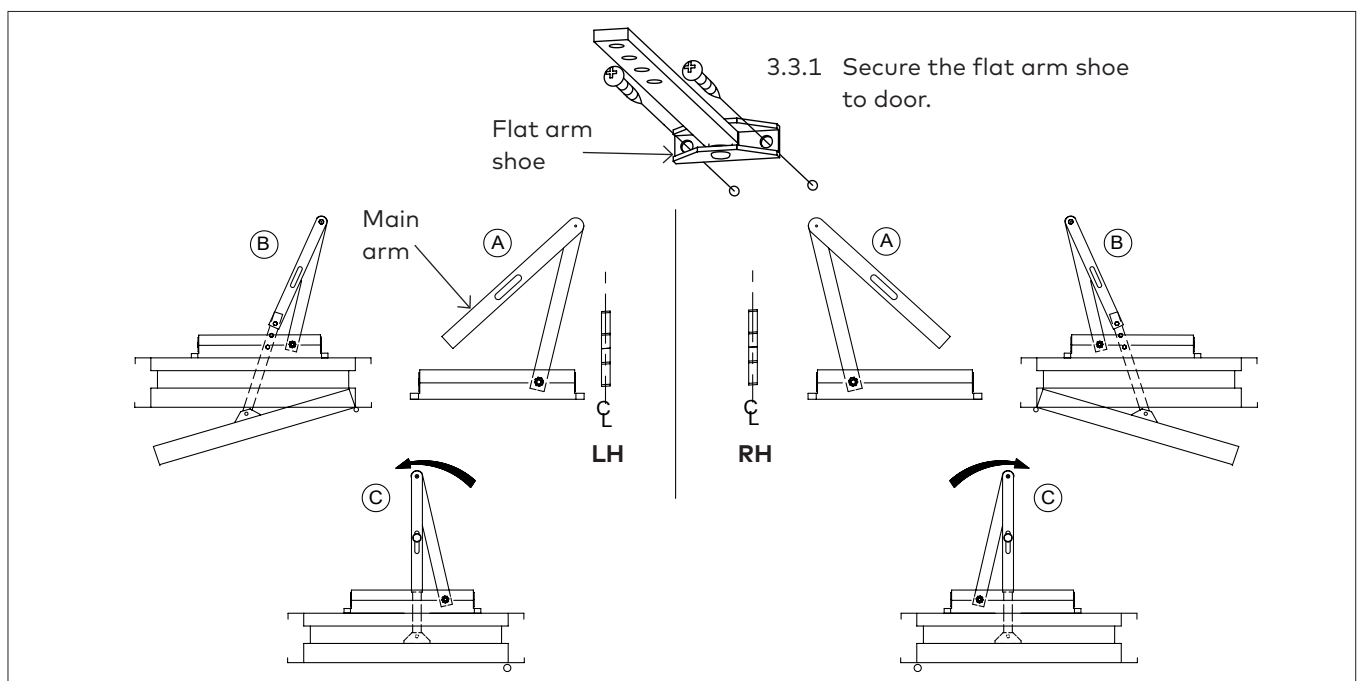
3.2 Installing the surface closer and (optional) plate

Fig.6



3.3 Installing main arm

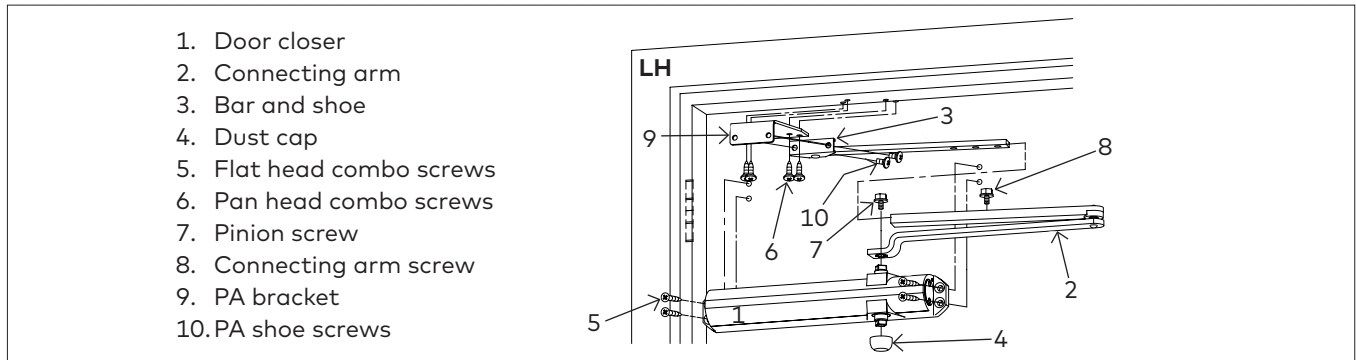
Fig.7



4 Instructions - parallel mount

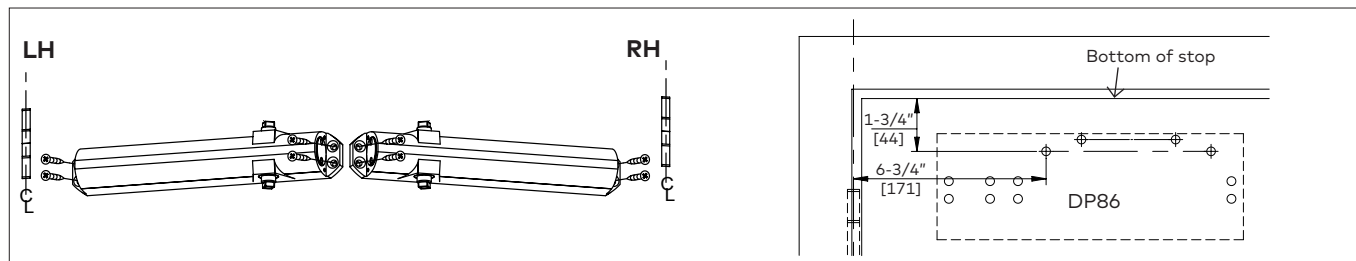
4.1 Surface closer system

Fig.8



4.2 Installing the surface closer and drop plate (optional)

Fig.9

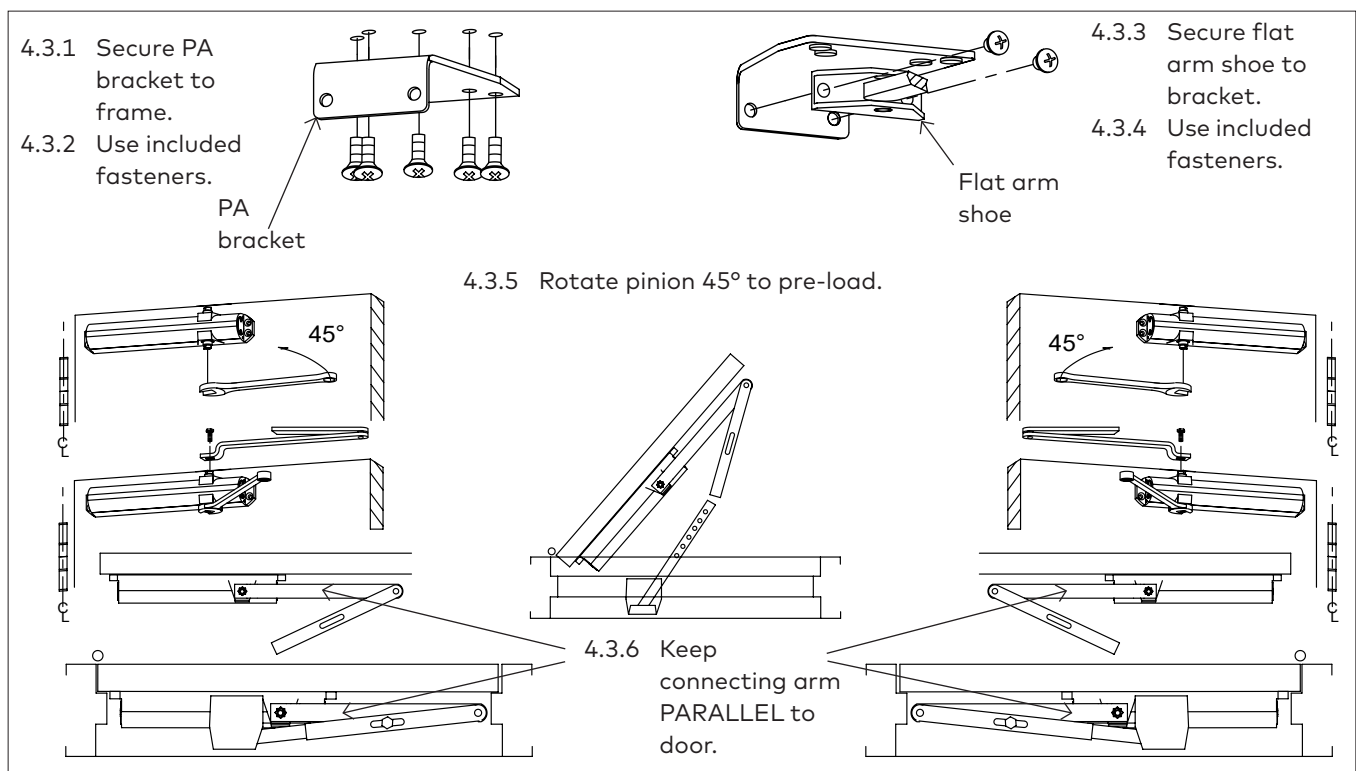


NOTE: Orient pinion away from hinge.












4.2.1 Secure closer body and/or drop plate to door.

4.3 Installing PA bracket and main arm

Fig.10

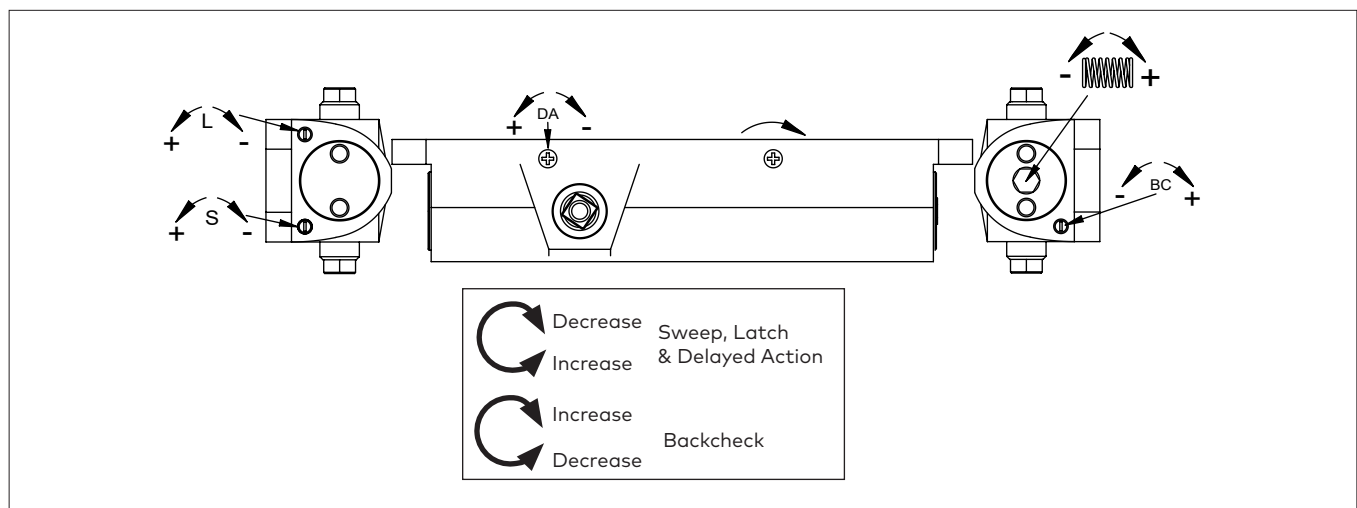


5 Adjustments

-  Confirm closer spring size prior to making any closing speed adjustments.
-  Do not back valve heads out beyond closer casting.
-  Backcheck positioning MUST be turned "ON" for parallel arm applications.
-  Backcheck position will advance approximately 15°.
-  Check delayed action (DEL) function if supplied.
-  Maximum opening angle is 180°.
-  Door should close in 3 to 6 seconds from 90°.
-  Do not close valves completely.
-  Ball bearing hinges and pivots should always be used.
-  8616 meets 5lb interior barrier-free requirements.
-  If necessary, adjust closer spring and test pull forces until proper forces are obtained.

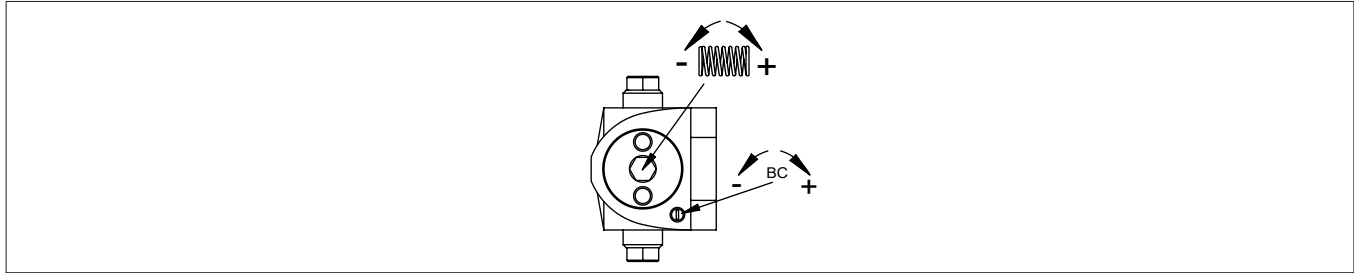
5.1 Adjust closing speeds: sweep, latch, backcheck, delayed action

Fig.11



5.2 Adjust spring force

Fig.12



Regular and top jamb mounts					
	Closer size	Max door weight (lbs)	Door width		Full turns
			Interior	Exterior	
8916	2	100	2'6"	---	-19
	3	125	3'	2'6"	-11
	4	150	3'6"	3'	0
	5	200	4'	3'6"	+5
	6	250	---	4'	+13
Parallel mount					
8916	3	100	2'6"	----	-11
	4	125	3'	2'6"	0
	5	150	3'6"	3'	+5
	6	200	4'	3'6"	+13

6 Install covers

Fig.13

