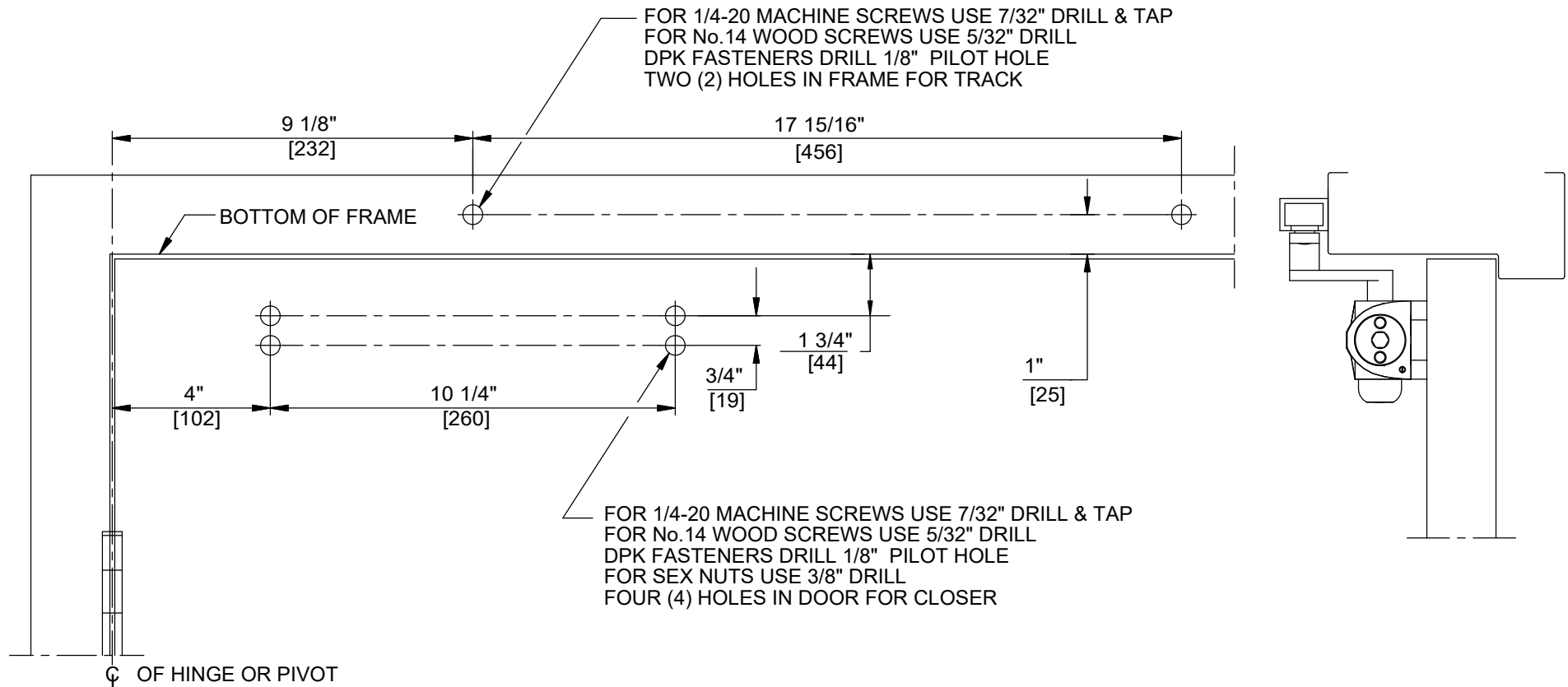


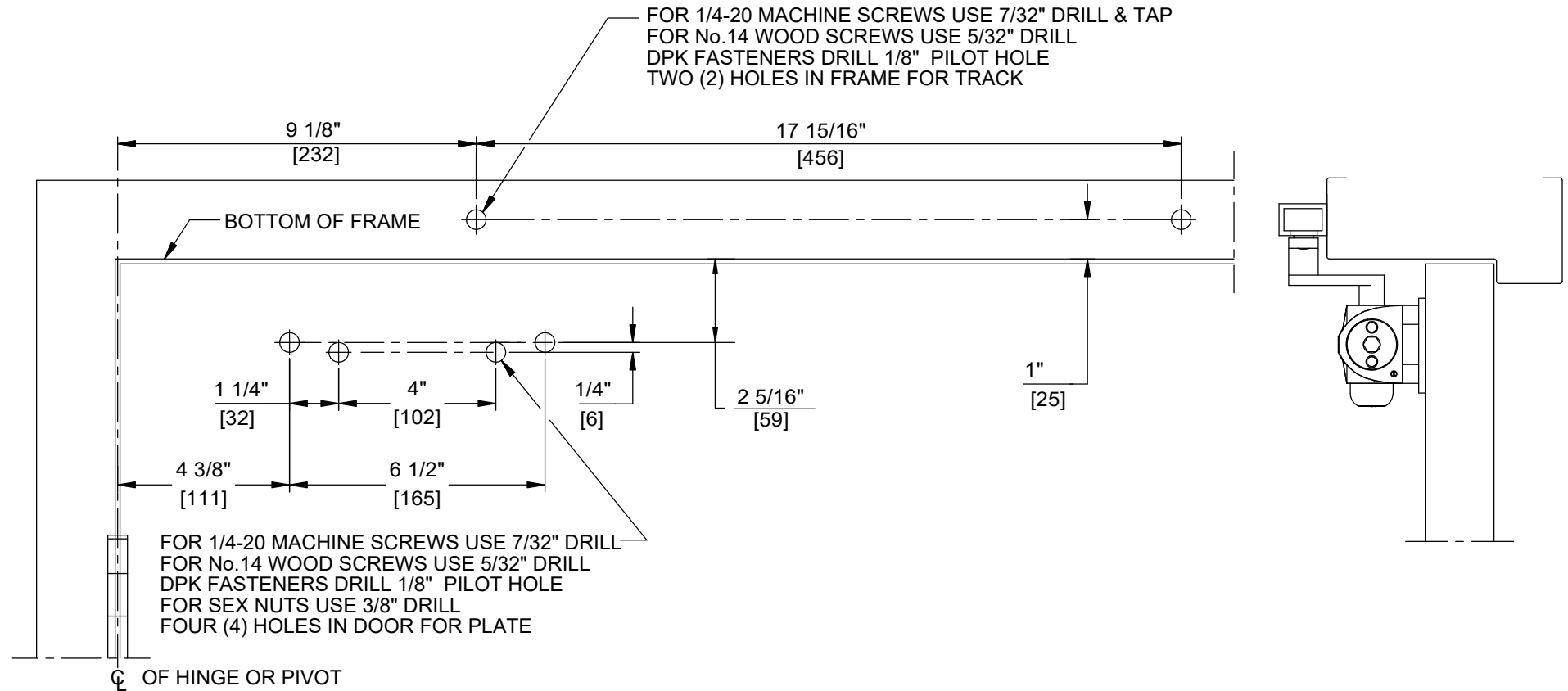
- NOTES:
1. DO NOT SCALE DRAWING.
 2. DIMENSIONS ARE IN INCHES/(MM).
 3. RIGHT HAND DOOR SHOWN.
 4. CAUTION: SEX NUTS ARE REQUIRED FOR ATTACHMENT OF COMPONENTS TO UNREINFORCED DOORS AND TO WOOD OR PLASTIC FACED COMPOSITE TYPE FIRE DOORS, UNLESS AN ALTERNATIVE METHOD IS IDENTIFIED IN THE INDIVIDUAL DOOR MANUFACTURER'S LISTINGS.
 5. TEMPLATE FOR 4-1/2" WIDE HINGE OR 3/4" OFFSET PIVOTS.
 6. MINIMUM DOOR WIDTH 30"
 7. WHEN OPENING DOOR TO 90° A MINIMUM OF 4-1/2" OF CLEARNCE IS REQUIRED BETWEEN DOOR FACE AND WALL.
 8. HOLD OPEN RANGE 30° - 110°.
 9. OPTIONAL DPK FASTENERS (DPK86) FOR STEEL DOOR & FRAME ONLY.



DOOR CLOSER MODELS: 7414, 7436 TDE, TDEH
 DOUBLE EGRESS TRACK INSTALLATION
 (PULL SIDE MOUNT)

NOTES:

1. DO NOT SCALE DRAWING.
2. DIMENSIONS ARE IN INCHES/(MM).
3. RIGHT HAND DOOR SHOWN.
4. CAUTION: SEX NUTS ARE REQUIRED FOR ATTACHMENT OF COMPONENTS TO UNREINFORCED DOORS AND TO WOOD OR PLASTIC FACED COMPOSITE TYPE FIRE DOORS, UNLESS AN ALTERNATIVE METHOD IS IDENTIFIED IN THE INDIVIDUAL DOOR MANUFACTURER'S LISTINGS.
5. TEMPLATE FOR 4-1/2" WIDE HINGE OR 3/4" OFFSET PIVOTS.
6. MINIMUM DOOR WIDTH 30"
7. WHEN OPENING DOOR TO 90° A MINIMUM OF 4-1/2" OF CLEARNCE IS REQUIRED BETWEEN DOOR FACE AND WALL.
9. HOLD OPEN RANGE 30° - 110°.
10. OPTIONAL DPK FASTENERS (DPK86) FOR STEEL DOOR & FRAME ONLY.



DOOR CLOSER MODELS: 7414, 7436 TDE, TDEH
 DOUBLE EGRESS TRACK INSTALLATION
 (PULL SIDE MOUNT)
 WITH PLATES BP74, BP86, BP86FC