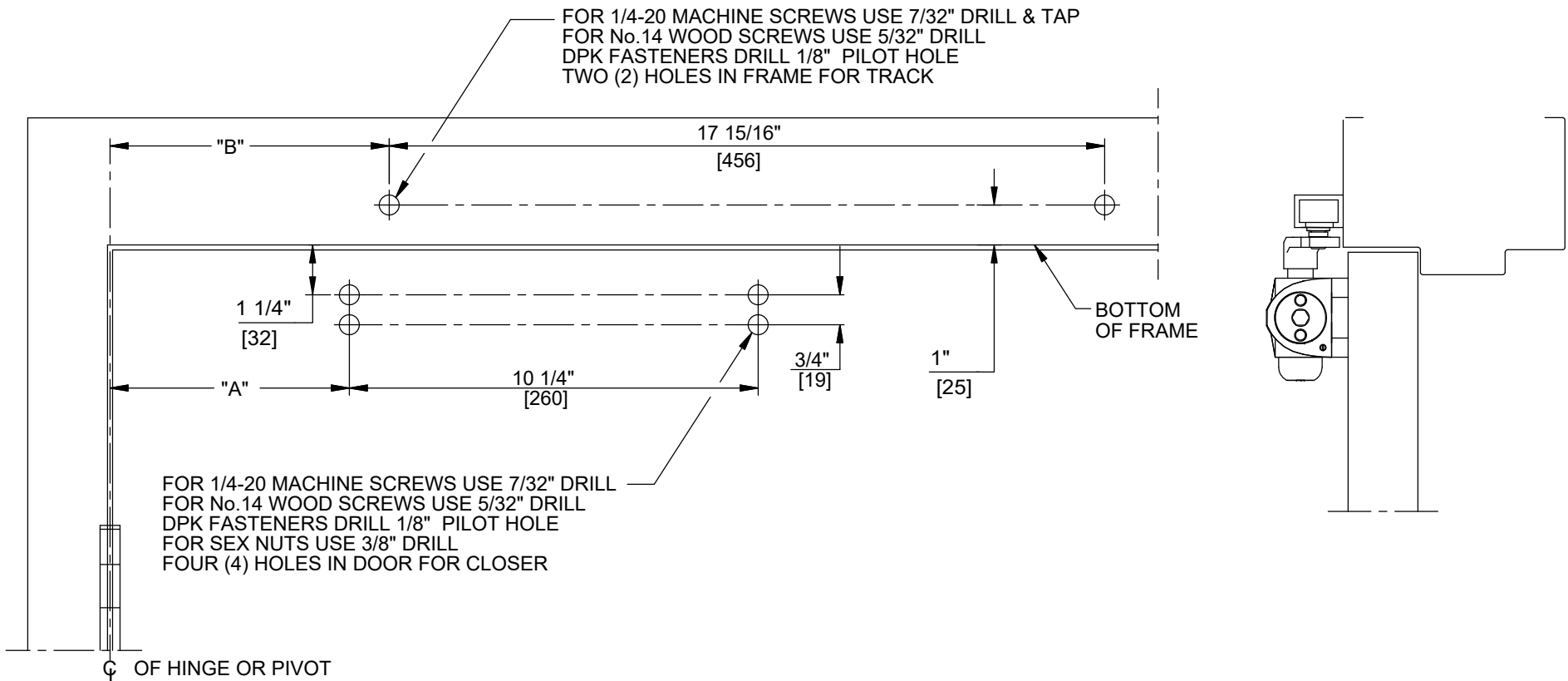


NOTES:

1. DO NOT SCALE DRAWING.
2. DIMENSIONS ARE IN INCHES/(MM).
3. RIGHT HAND DOOR SHOWN.
4. CAUTION: SEX NUTS ARE REQUIRED FOR ATTACHMENT OF COMPONENTS TO UNREINFORCED DOORS AND TO WOOD OR PLASTIC FACED COMPOSITE TYPE FIRE DOORS, UNLESS AN ALTERNATIVE METHOD IS IDENTIFIED IN THE INDIVIDUAL DOOR MANUFACTURER'S LISTINGS.
5. MAX. OPENING IS 175°.
6. OPTIONAL DPK FASTENERS (DPK86) FOR STEEL DOOR & FRAME ONLY.

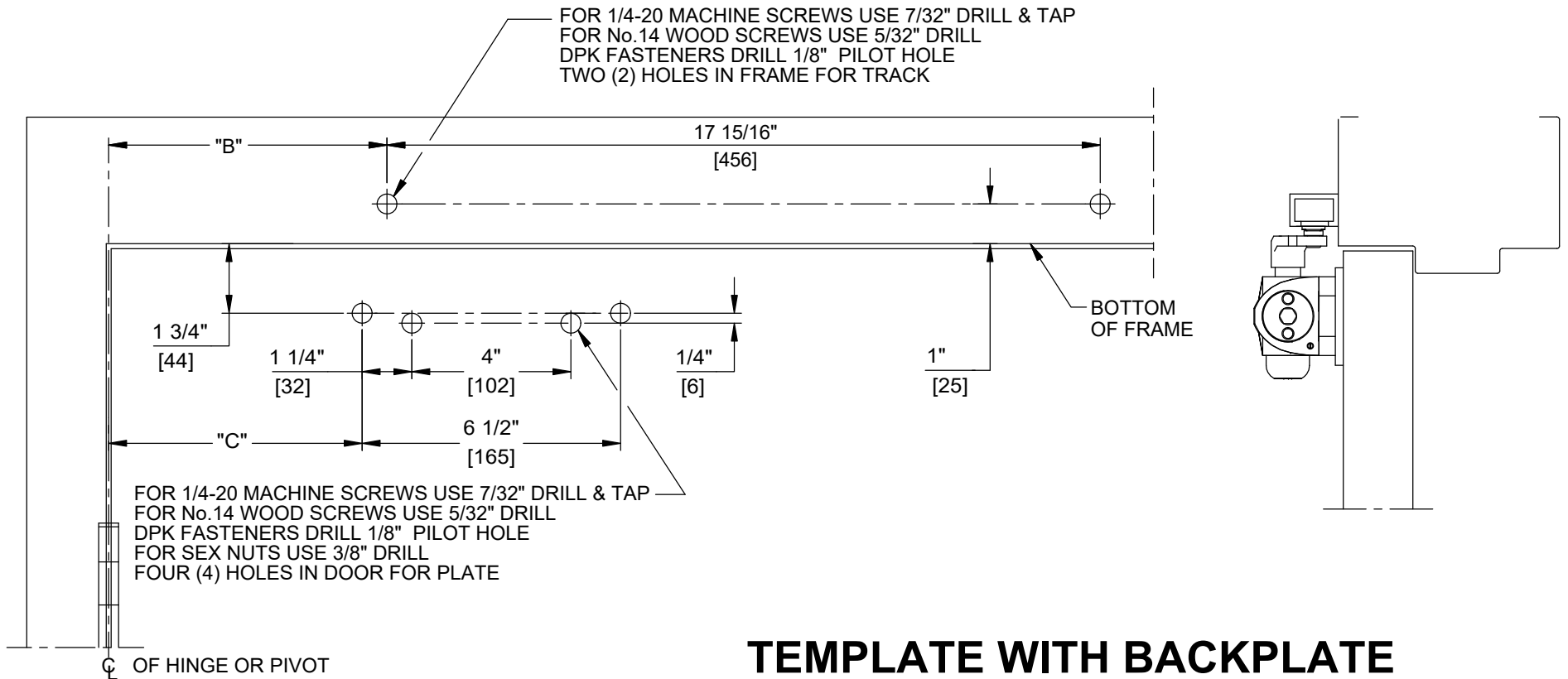
ANGLE OF OPENING	DIM. "A" CLOSER	DIM. "B" TRACK	HOLD OPEN RANGE
85°	$\frac{6-1/2}{(165)}$	$\frac{8-3/4}{(222)}$	30°-80°
90°	$\frac{6}{(152)}$	$\frac{8-1/4}{(200)}$	30°-85°
110°	$\frac{4-3/4}{(121)}$	$\frac{6-1/2}{(165)}$	30°-100°
175°	$\frac{4-1/4}{(108)}$	$\frac{4-1/2}{(114)}$	30°-145°



NOTES:

1. DO NOT SCALE DRAWING.
2. DIMENSIONS ARE IN INCHES/(MM).
3. RIGHT HAND DOOR SHOWN.
4. CAUTION: SEX NUTS ARE REQUIRED FOR ATTACHMENT OF COMPONENTS TO UNREINFORCED DOORS AND TO WOOD OR PLASTIC FACED COMPOSITE TYPE FIRE DOORS, UNLESS AN ALTERNATIVE METHOD IS IDENTIFIED IN THE INDIVIDUAL DOOR MANUFACTURER'S LISTINGS.
5. MAX. OPENING IS 175°.
6. OPTIONAL DPK FASTENERS (DPK86) FOR STEEL DOOR & FRAME ONLY.

ANGLE OF OPENING	DIM. "C" PLATE	DIM. "B" TRACK	HOLD OPEN RANGE
85°	$\frac{6-7}{8}$ (175)	$\frac{8-3}{4}$ (222)	30°-80°
90°	$\frac{6-3}{8}$ (162)	$\frac{8-1}{4}$ (200)	30°-85°
110°	$\frac{5-1}{8}$ (130)	$\frac{6-1}{2}$ (165)	30°-100°
175°	$\frac{4-5}{8}$ (117)	$\frac{4-1}{2}$ (114)	30°-145°



DOOR CLOSER MODELS: 7436 JT, JTH  
TRACK INSTALLATION (PULL SIDE MOUNT)  
WITH PLATES BP74, BP86, BP86FC