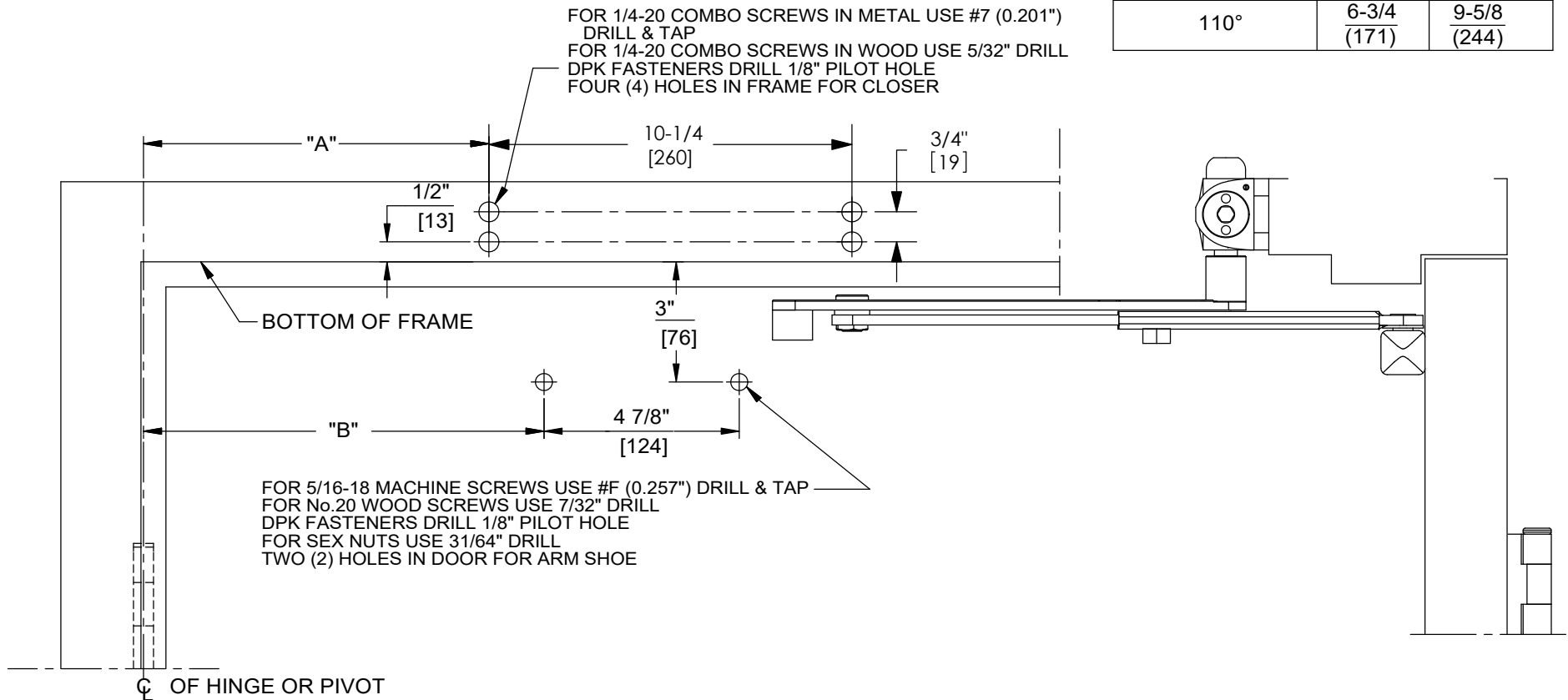


NOTES:

1. DO NOT SCALE DRAWING.
2. DIMENSIONS ARE IN INCHES/(MM).
3. LEFT HAND DOOR SHOWN.
4. CAUTION: SEX NUTS ARE REQUIRED FOR ATTACHMENT OF COMPONENTS TO UNREINFORCED DOORS AND TO WOOD OR PLASTIC FACED COMPOSITE TYPE FIRE DOORS, UNLESS AN ALTERNATIVE METHOD IS IDENTIFIED IN THE INDIVIDUAL DOOR MANUFACTURER'S LISTINGS.
5. SEE CATALOG FOR REVEAL INFORMATION.
6. **OPTIONAL DPK FASTENERS (DPK86) FOR STEEL DOOR & FRAME ONLY.**

DEGREE OF DEAD STOP	DIM. "A" CLOSER	DIM. "B" ARM SHOE
85°	8-7/8 (225)	11-3/4 (298)
90°	8-1/4 (209)	11-1/8 (283)
100°	7-3/8 (200)	10-1/4 (356)
110°	6-3/4 (171)	9-5/8 (244)



DOOR CLOSER MODELS: 7400 S-ISJ, S-ISHJ (DEAD STOP ARM)
 TOP JAMB INSTALLATION (PUSH SIDE MOUNT)

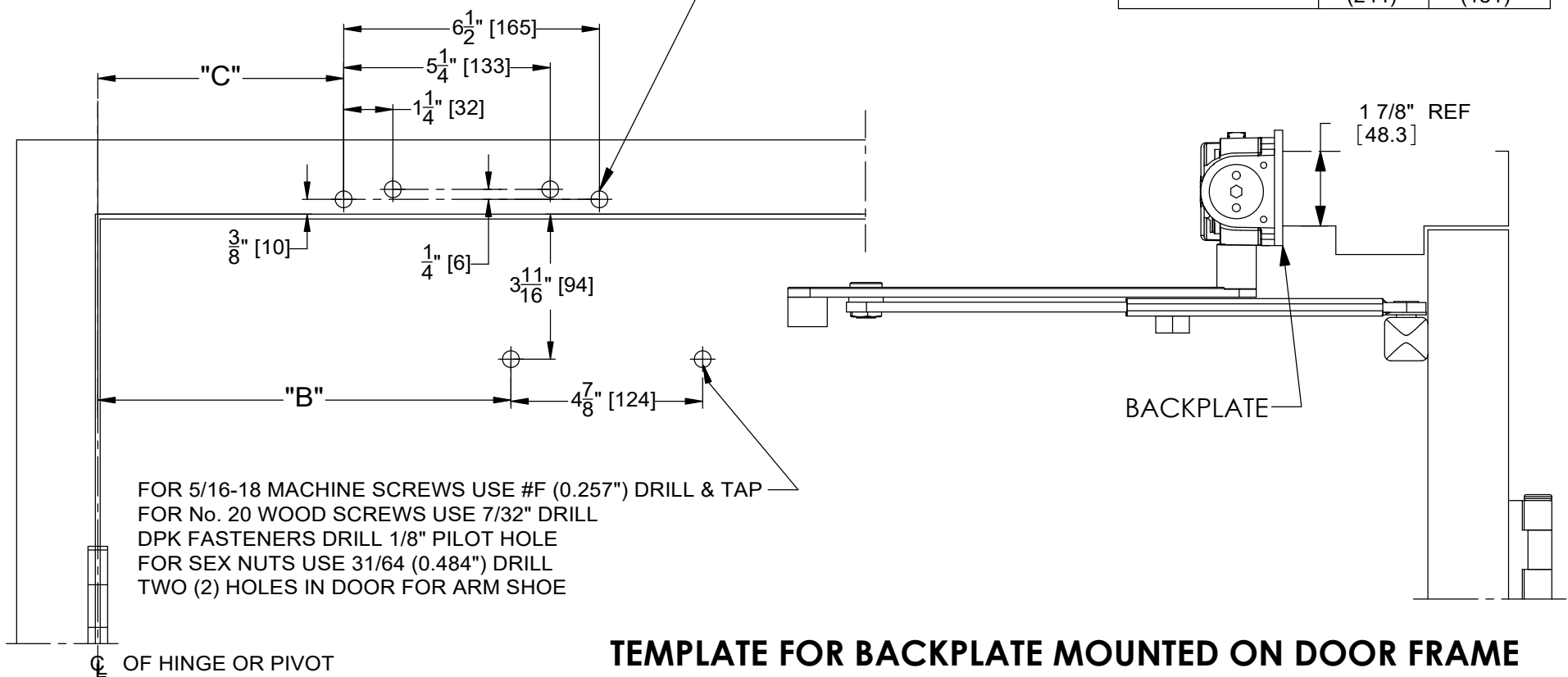
NOTES:

1. DO NOT SCALE DRAWING.
2. RIGHT HAND DOOR SHOWN.
3. DIMENSIONS ARE IN INCHES/[MM].
4. CAUTION: SEX NUTS ARE REQUIRED FOR ATTACHMENT OF COMPONENTS TO UNREINFORCED DOORS AND TO WOOD OR PLASTIC FACED COMPOSITE TYPE FIRE DOORS, UNLESS AN ALTERNATIVE METHOD IS IDENTIFIED IN THE INDIVIDUAL DOOR MANUFACTURER'S LISTINGS.

5. OPTIONAL DPK FASTENERS (DPK86) FOR STEEL DOOR & FRAME ONLY.

FOR 1/4-20 COMBO SCREWS USE #7 (0.201") DRILL & TAP
 FOR 1/4-20 COMBO SCREWS IN WOOD USE 5/32" DRILL
 DPK FASTENERS DRILL 1/8" PILOT HOLE
 FOUR (4) HOLES IN FRAME FOR CLOSER

DEGREE OF DEAD STOP	DIM. "B"	DIM. "C"
85°	11-3/4 (298)	9-1/4 (235)
90°	11-1/8 (283)	8-5/8 (219)
100°	10-1/4 (260)	7-3/4 (197)
110°	9-5/8 (244)	7-1/8 (181)



DOOR CLOSER MODELS: 7400 S-ISJ & S-ISJH (DEAD STOP ARM)
 TOP JAMB (PUSH-SIDE MOUNT) WITH BACKPLATE BP74

NOTES:

1. DO NOT SCALE DRAWING.
2. RIGHT HAND DOOR SHOWN.
3. DIMENSIONS ARE IN INCHES/[MM].
4. CAUTION: SEX NUTS ARE REQUIRED FOR ATTACHMENT OF COMPONENTS TO UNREINFORCED DOORS AND TO WOOD OR PLASTIC FACED COMPOSITE TYPE FIRE DOORS, UNLESS AN ALTERNATIVE METHOD IS IDENTIFIED IN THE INDIVIDUAL DOOR MANUFACTURER'S LISTINGS.
5. **OPTIONAL DPK FASTENERS (DPK86) FOR STEEL DOOR & FRAME ONLY.**

FOR 1/4-20 COMBO SCREWS USE #7 (0.201") DRILL & TAP
 FOR 1/4-20 COMBO SCREWS IN WOOD USE 5/32" DRILL
 DPK FASTENERS DRILL 1/8" PILOT HOLE
 FOUR (4) HOLES IN FRAME FOR CLOSER

DEGREE OF DEAD STOP	DIM. "B"	DIM. "C"
85°	11-3/4 (298)	9-3/8 (238)
90°	11-1/8 (283)	8-3/4 (222)
100°	10-1/4 (260)	7-7/8 (200)
110°	9-5/8 (244)	7-1/4 (184)

