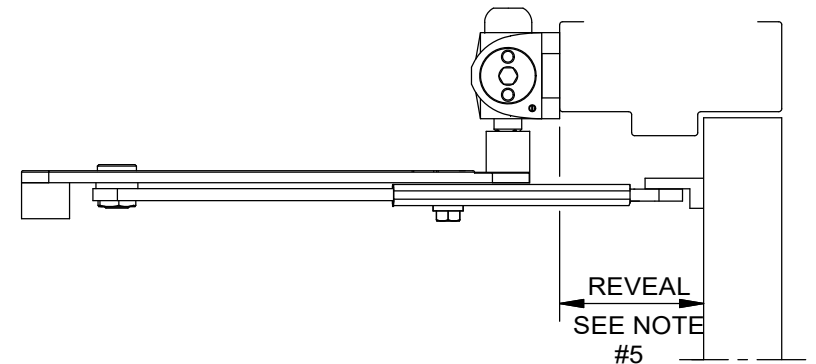
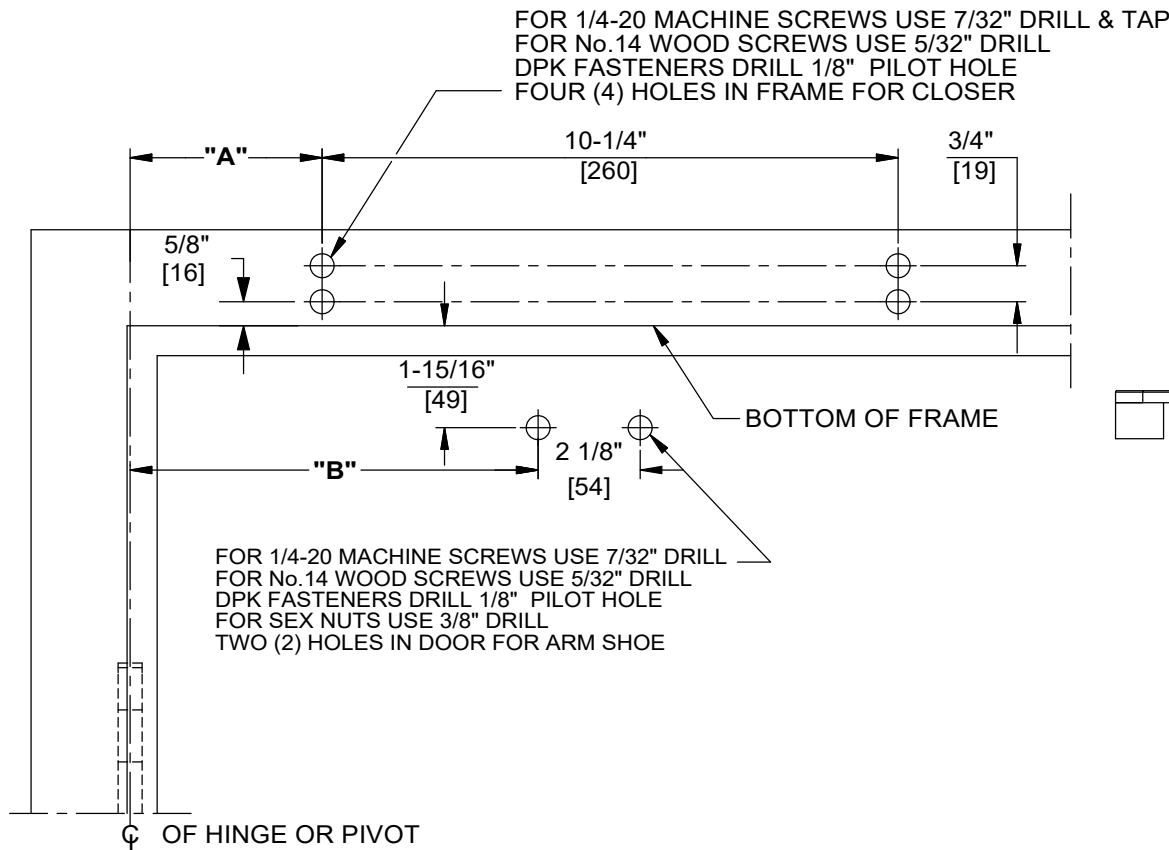


**NOTES:**

1. DO NOT SCALE DRAWING.
2. DIMENSIONS ARE IN INCHES/(MM).
3. LEFT HAND DOOR SHOWN.
4. CAUTION: SEX NUTS ARE REQUIRED FOR ATTACHMENT OF COMPONENTS TO UNREINFORCED DOORS AND TO WOOD OR PLASTIC FACED COMPOSITE TYPE FIRE DOORS, UNLESS AN ALTERNATIVE METHOD IS IDENTIFIED IN THE INDIVIDUAL DOOR MANUFACTURER'S LISTINGS.
5. SEE CATALOG FOR REVEAL INFORMATION.
6. OPTIONAL DPK FASTENERS (DPK86) FOR STEEL DOOR & FRAME ONLY.

DEGREE OF DEAD STOP	DIM. "A" CLOSER	DIM. "B" ARM SHOE
85°	$\frac{7}{(178)}$	$\frac{12-7/8}{(327)}$
90°	$\frac{6-1/4}{(159)}$	$\frac{12-3/8}{(314)}$
95°	$\frac{6}{(152)}$	$\frac{12}{(305)}$
100°	$\frac{5-3/4}{(146)}$	$\frac{11-1/2}{(292)}$
105°	$\frac{5-1/2}{(140)}$	$\frac{11-1/4}{(286)}$
110°	$\frac{5-1/4}{(133)}$	$\frac{11}{(279)}$

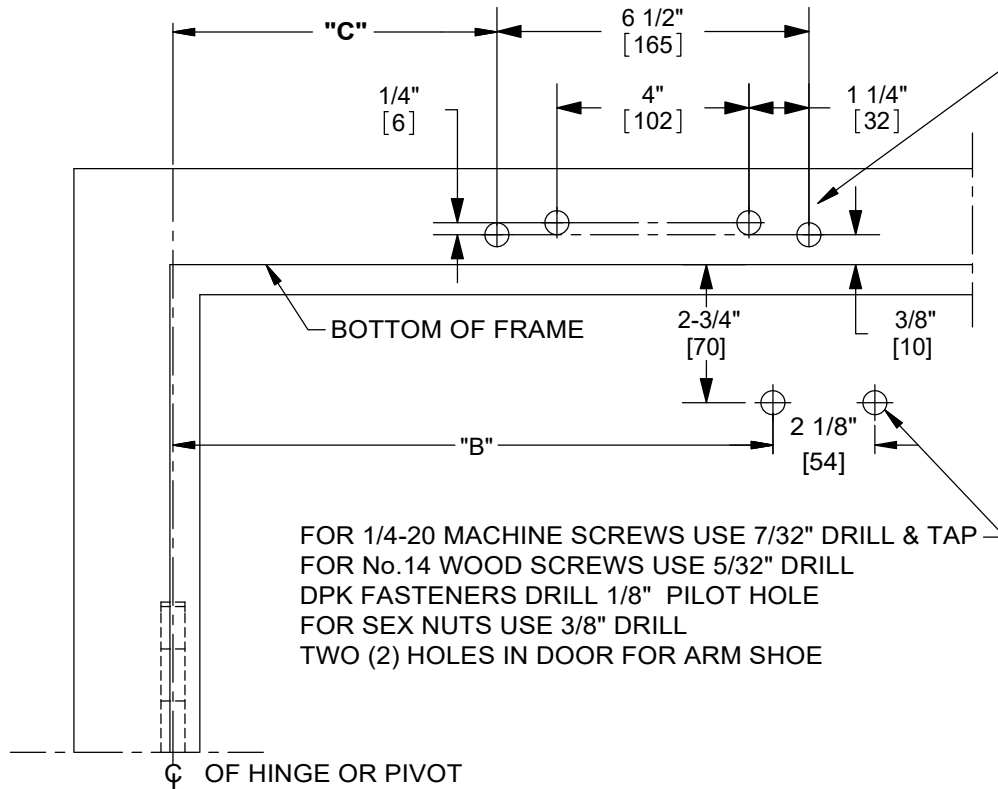


DOOR CLOSER MODELS: 7400 ISJ, ISJH  
 TOP JAMB INSTALLATION (PUSH SIDE MOUNT)  
 INTEGRA STOP ARM

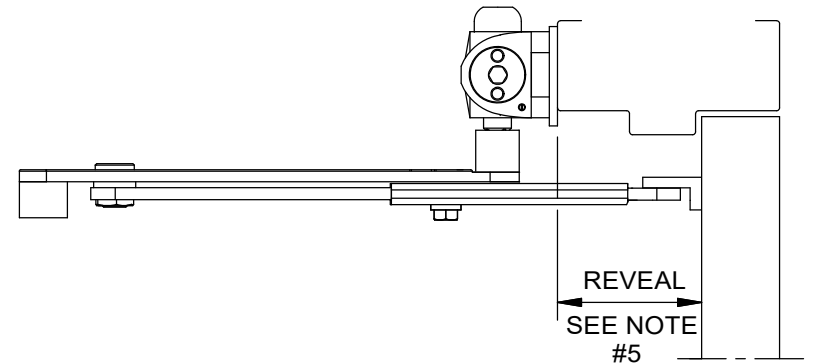
NOTES:

1. DO NOT SCALE DRAWING.
2. DIMENSIONS ARE IN INCHES/(MM).
3. LEFT HAND DOOR SHOWN.
4. CAUTION: SEX NUTS ARE REQUIRED FOR ATTACHMENT OF COMPONENTS TO UNREINFORCED DOORS AND TO WOOD OR PLASTIC FACED COMPOSITE TYPE FIRE DOORS, UNLESS AN ALTERNATIVE METHOD IS IDENTIFIED IN THE INDIVIDUAL DOOR MANUFACTURER'S LISTINGS.
5. SEE CATALOG FOR REVEAL INFORMATION.
6. OPTIONAL DPK FASTENERS (DPK86) FOR STEEL DOOR & FRAME ONLY.

FOR 1/4-20 MACHINE SCREWS USE 7/32" DRILL & TAP  
 FOR No.14 WOOD SCREWS USE 5/32" DRILL  
 DPK FASTENERS DRILL 1/8" PILOT HOLE  
 FOUR (4) HOLES IN FRAME FOR CLOSER



DEGREE OF DEAD STOP	DIM. "B" ARM SHOE	DIM. "C" PLATE
85°	12-7/8 (327)	7-5/16 (186)
90°	12-3/8 (314)	6-9/16 (167)
95°	12 (305)	6-5/16 (160)
100°	11-1/2 (292)	6-1/16 (154)
105°	11-1/4 (286)	5-13/16 (148)
110°	11 (279)	5-9/16 (141)



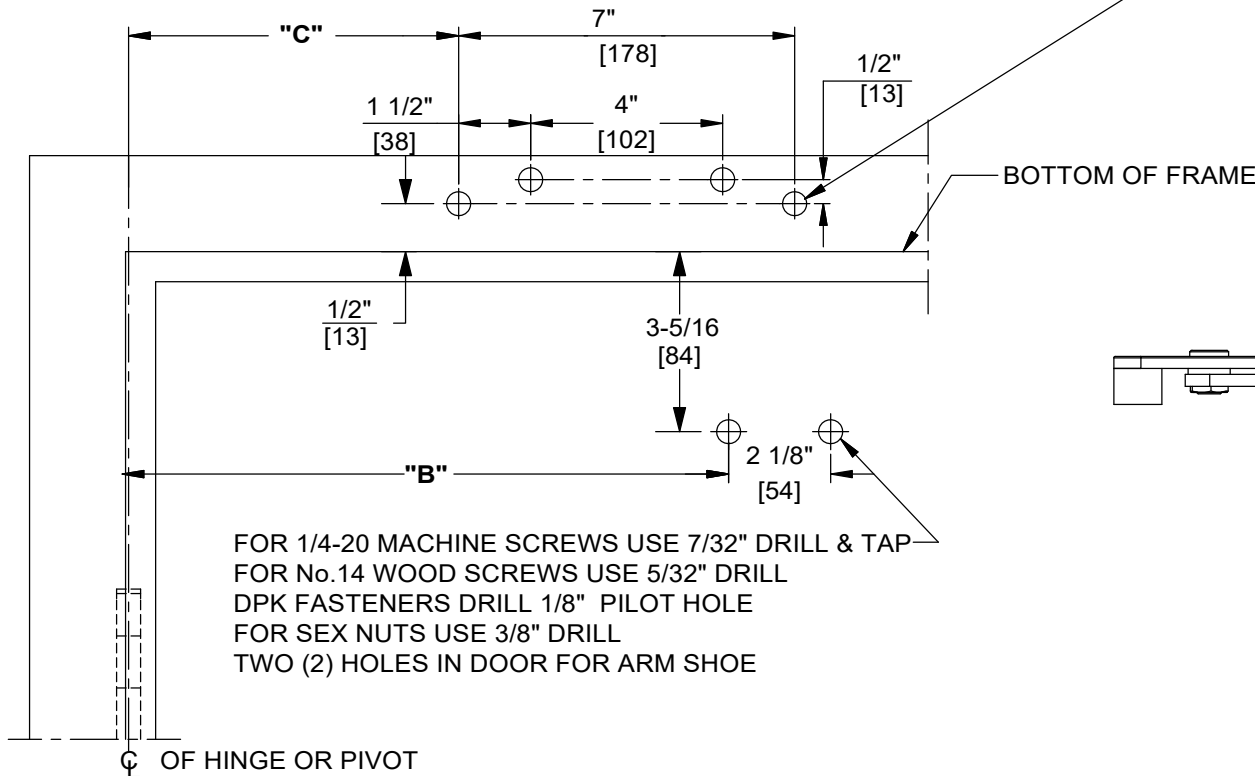
DOOR CLOSER MODELS: 7400 ISJ, ISJH  
 TOP JAMB INSTALLATION (PUSH SIDE MOUNT)  
 INTEGRA STOP ARM  
 WITH PLATES BP74, BP86, BP86FC

NOTES:

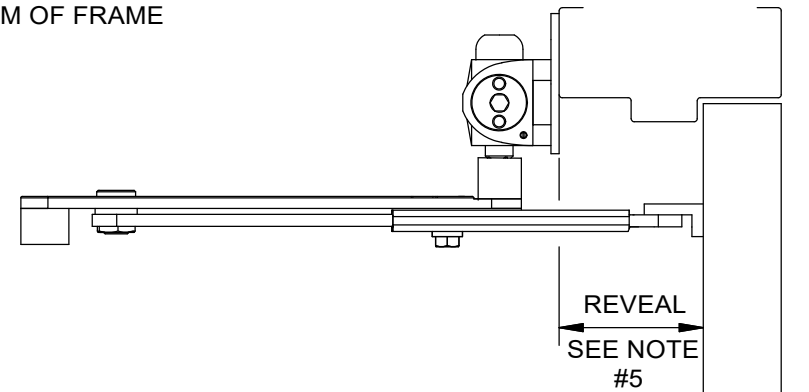
1. DO NOT SCALE DRAWING.
2. DIMENSIONS ARE IN INCHES/(MM).
3. LEFT HAND DOOR SHOWN.
4. CAUTION: SEX NUTS ARE REQUIRED FOR ATTACHMENT OF COMPONENTS TO UNREINFORCED DOORS AND TO WOOD OR PLASTIC FACED COMPOSITE TYPE FIRE DOORS, UNLESS AN ALTERNATIVE METHOD IS IDENTIFIED IN THE INDIVIDUAL DOOR MANUFACTURER'S LISTINGS.
5. SEE CATALOG FOR REVEAL INFORMATION.
6. OPTIONAL DPK FASTENERS (DPK86) FOR STEEL DOOR & FRAME ONLY.

DEGREE OF DEAD STOP	DIM. "B" ARM SHOE	DIM. "C" PLATE
85°	$\frac{12-7/8}{(327)}$	$\frac{7-1/2}{(191)}$
90°	$\frac{12-3/8}{(314)}$	$\frac{6-3/4}{(171)}$
95°	$\frac{12}{(305)}$	$\frac{6-1/2}{(165)}$
100°	$\frac{11-1/2}{(292)}$	$\frac{6-1/4}{(159)}$
105°	$\frac{11-1/4}{(286)}$	$\frac{6}{(152)}$
110°	$\frac{11}{(279)}$	$\frac{5-3/4}{(146)}$

FOR 1/4-20 MACHINE SCREWS USE 7/32" DRILL & TAP  
 FOR No.14 WOOD SCREWS USE 5/32" DRILL  
 DPK FASTENERS DRILL 1/8" PILOT HOLE  
 FOUR (4) HOLES IN FRAME FOR CLOSER



FOR 1/4-20 MACHINE SCREWS USE 7/32" DRILL & TAP  
 FOR No.14 WOOD SCREWS USE 5/32" DRILL  
 DPK FASTENERS DRILL 1/8" PILOT HOLE  
 FOR SEX NUTS USE 3/8" DRILL  
 TWO (2) HOLES IN DOOR FOR ARM SHOE



DOOR CLOSER MODELS: 7400 ISJ, ISJH  
 TOP JAMB INSTALLATION (PUSH SIDE MOUNT)  
 INTEGRA STOP ARM  
 WITH PLATE DP74