

7400 TDE/TDEH

Track double egress installation pull side mount
(closer on door, track on frame)

Installation instructions

08279921 – 01-2021

| EN |








dormakaba 

Table of contents

1	Technical specifications	3
1.1	Overview	3
1.2	Tools recommended	3
1.3	Handing the door	3
2	Instructions - double egress track mount	4
2.1	Closer system	4
2.2	Install surface closer and track	4
2.3	Securing main arm to closer	4
3	Adjustments	5
3.1	Adjust closing speeds: sweep, latch, backcheck, delayed action	5
3.2	Adjust hold open (optional)	5
3.3	Adjust spring force	6
4	Install covers	6

1 Technical specifications

1.1 Overview

-  Caution: sex nuts are required for attachment of components to unreinforced doors and to wood or plastic faced composite type fire doors, unless an alternative method is identified in the individual door manufacturer’s listings.
-  Maximum door opening degree is 125°.
-  Arrow on backplate points upward.
-  Maximum hold open is 110° with optional hold open kit.
-  Know the swing of the door which is being installed prior to installation.
-  Verify closer spring size prior to installation.
-  Make sure door efficiently operates prior to installing closer.

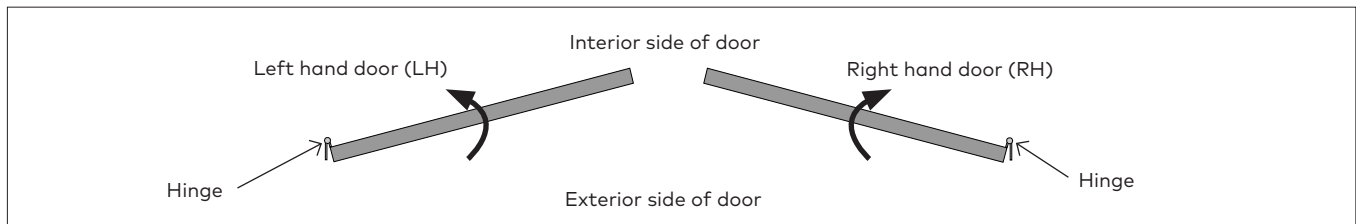
1.2 Tools recommended

Table 1

Drill bits:	#3 Phillips screwdriver
Metal: 7/32" drill bit; 1/4-20 tap	3/16" flat head screwdriver
Wood: 3/8" and 5/32" bit	2.5, 5, 6mm hex key
7/16" & 1/2" box wrench	

1.3 Handing the door

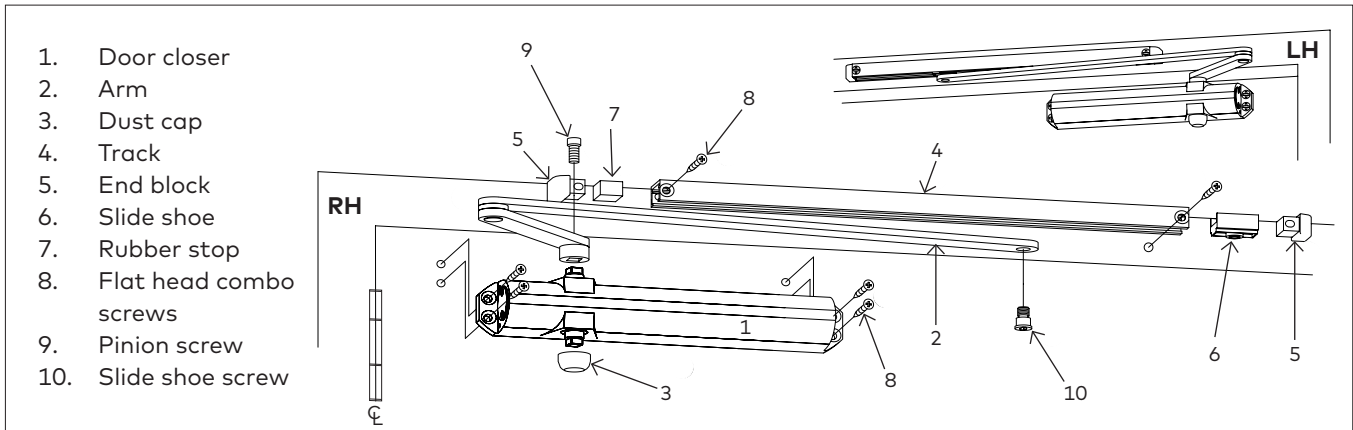
Fig.1



2 Instructions - double egress track mount

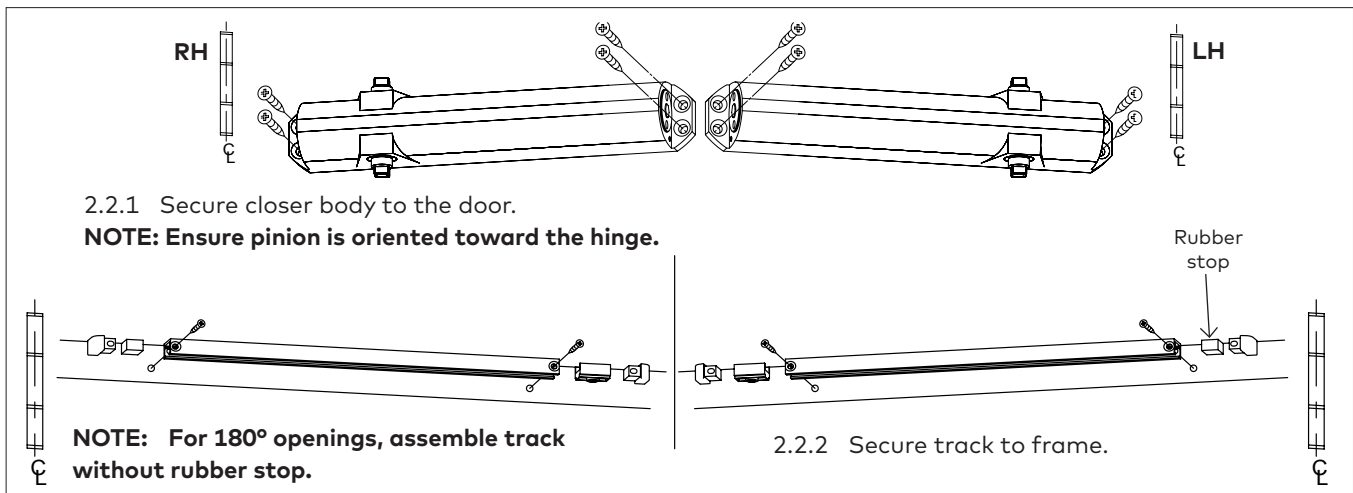
2.1 Closer system

Fig.2



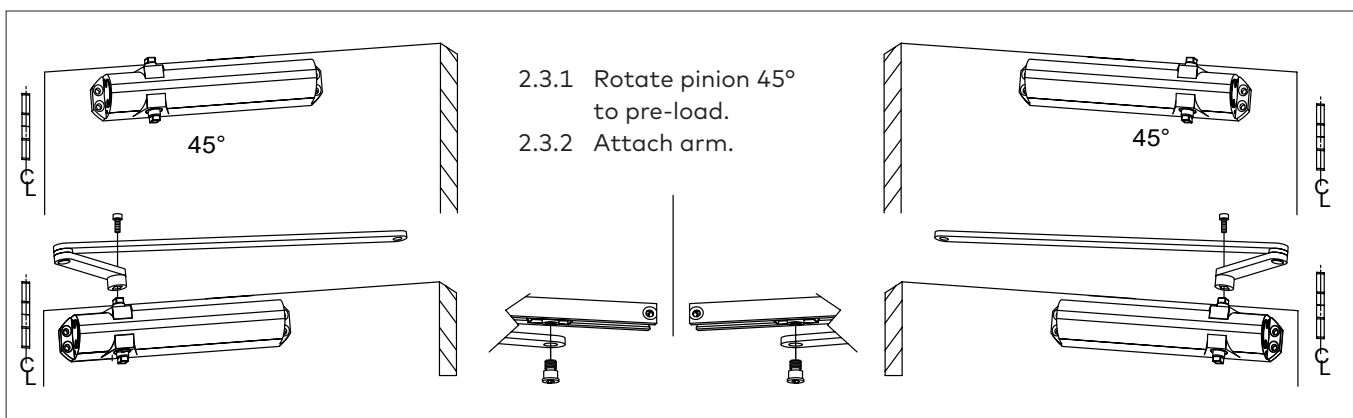
2.2 Install surface closer and track

Fig.3








2.3 Securing main arm to closer

Fig.4



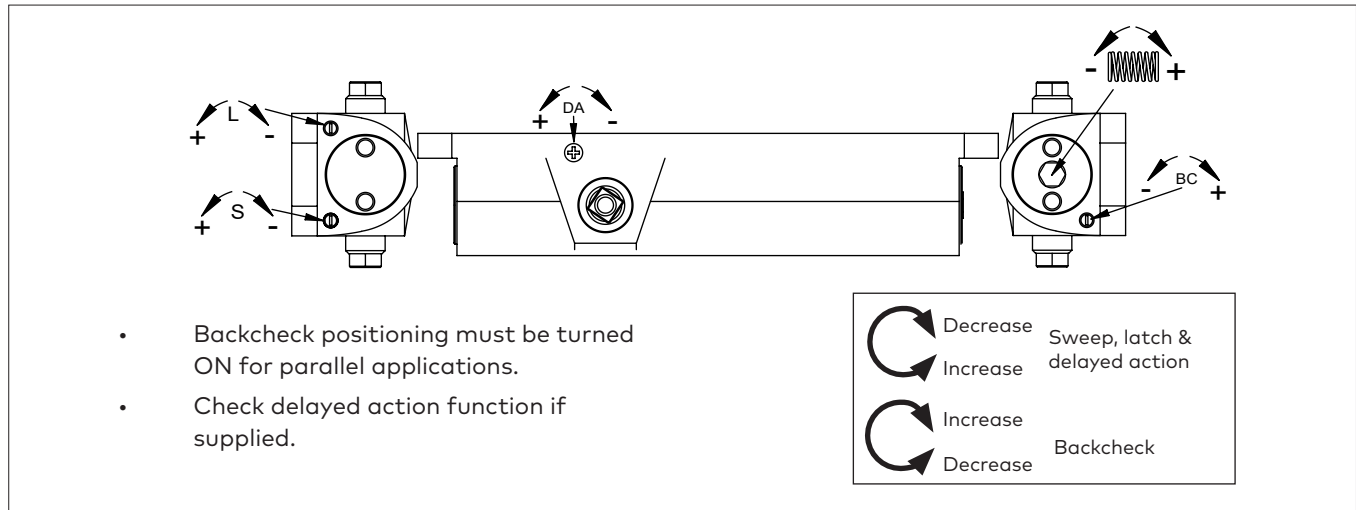
3 Adjustments

-  Confirm closer spring size prior to making any closing speed adjustments.
-  Do not back valve heads out beyond closer casting.

-  Maximum opening angle is 125°.
-  Door should close in 3 to 6 seconds from 90°.
-  Do not close valves completely.

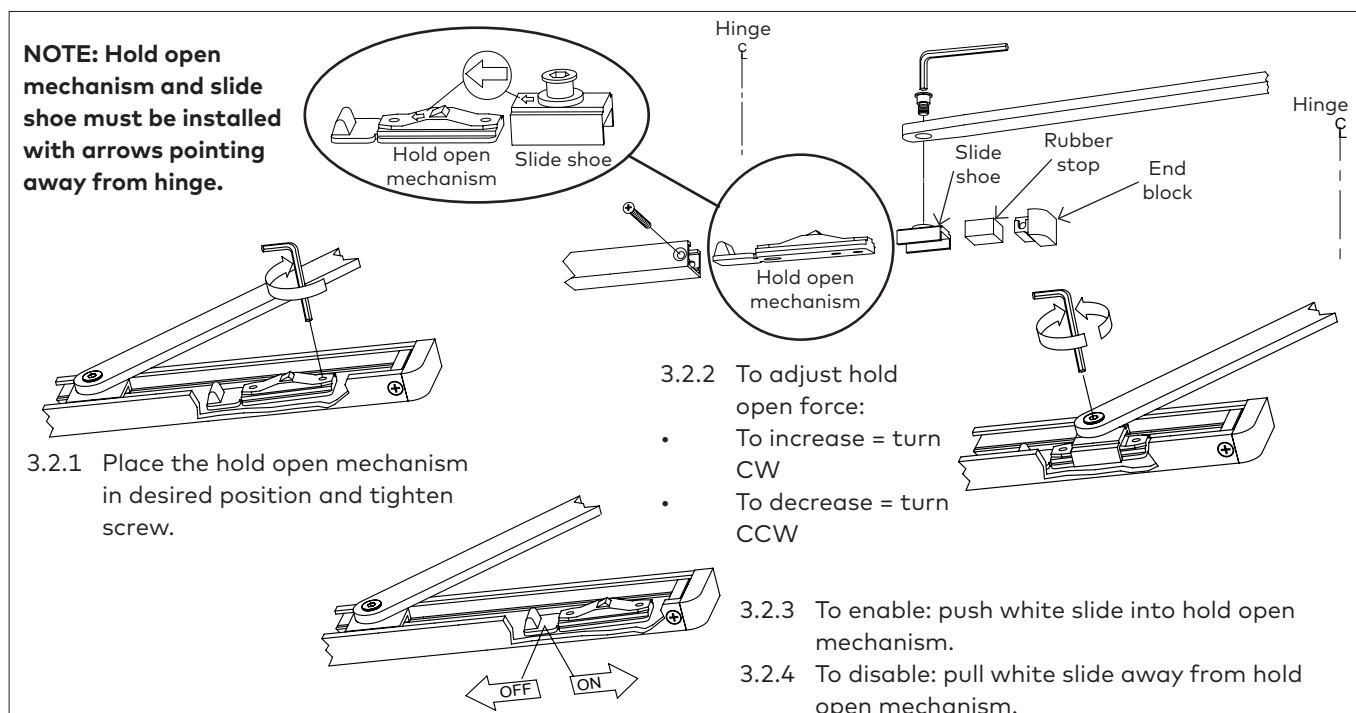
3.1 Adjust closing speeds: sweep, latch, backcheck, delayed action

Fig.5



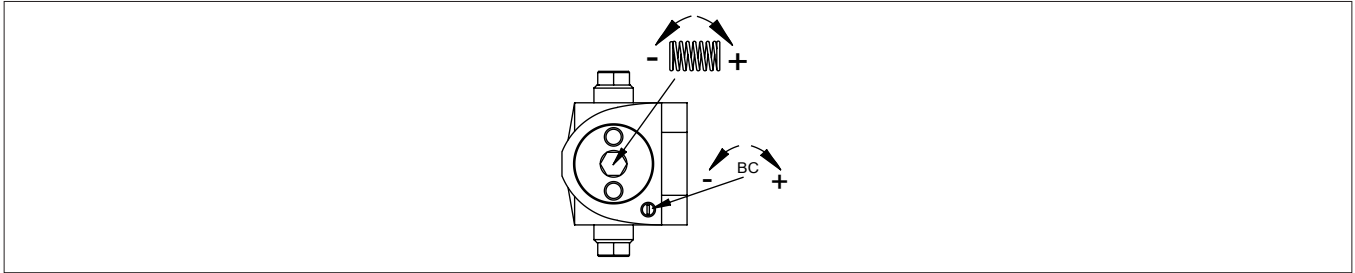
3.2 Adjust hold open (optional)

Fig.6



3.3 Adjust spring force

Fig.7



Track mount				
	Closer size	Max door weight (lbs)	Door width	Full turns
			Interior	
	4	100	2'-6"	+4
	5	125	3'	+8
	6	150	3'-6"	+12

4 Install covers

Fig.8

