

7400 PT/PTH

Track installation push side mount
and drop plate (DP74)

Installation instructions

08280421 – 01-2021

| EN |







dormakaba 

Table of contents

| | | |
|----------|----------------------------------------------------------------|----------|
| 1 | Technical specifications | 3 |
| 1.1 | Overview | 3 |
| 1.2 | Tools recommended | 3 |
| 1.3 | Handing the door | 3 |
| 2 | Instructions - track mount | 4 |
| 2.1 | Installing drop plate (optional) and surface closer | 4 |
| 2.2 | Assemble and secure track | 4 |
| 2.3 | Securing main arm to closer | 4 |
| 3 | Adjustments | 5 |
| 3.1 | Adjust closing speeds: sweep, latch, backcheck, delayed action | 5 |
| 3.2 | Adjust hold open (optional) | 5 |
| 3.3 | Adjust spring force | 6 |
| 4 | Install covers | 6 |

1 Technical specifications

1.1 Overview

-  Caution: sex nuts are required for attachment of components to unreinforced doors and to wood or plastic faced composite type fire doors, unless an alternative method is identified in the individual door manufacturer’s listings.
-  Maximum door opening degree is 180°.
-  Arrow on backplate points upward.
-  Know the swing of the door which is being installed prior to installation.
-  Verify closer spring size prior to installation.
-  Make sure door efficiently operates prior to installing closer.

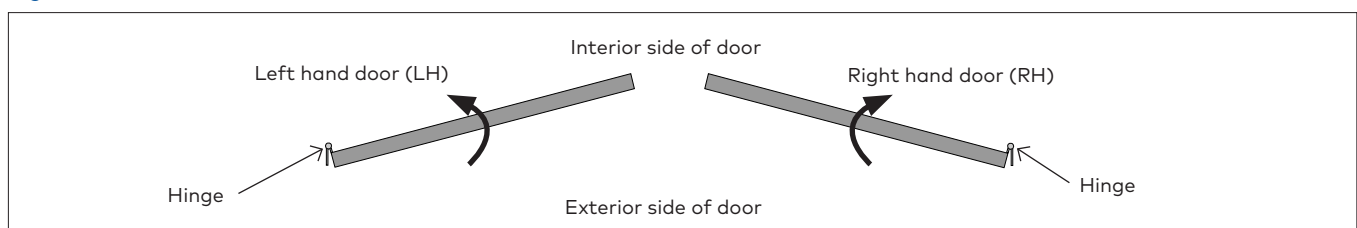
1.2 Tools recommended

Table 1

| | |
|------------------------------------|-----------------------------|
| Drill bits: | #3 Phillips screwdriver |
| Metal: 7/32" drill bit; 1/4-20 tap | 3/16" flat head screwdriver |
| Wood: 3/8" and 5/32" bit | 2.5, 5, 6mm hex key |
| 7/16" & 1/2" box wrench | |

1.3 Handing the door

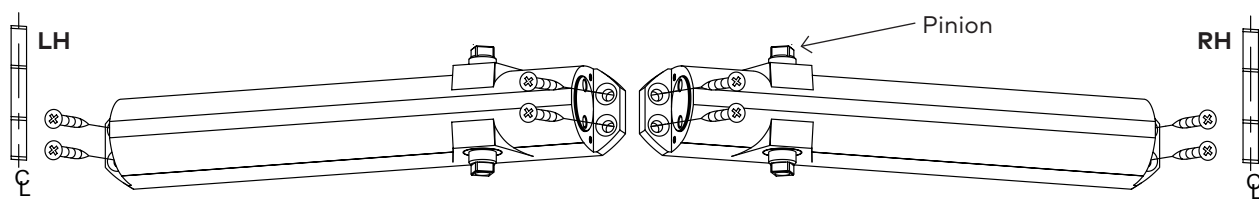
Fig.1



2 Instructions - track mount

2.1 Installing drop plate (optional) and surface closer

Fig.2



2.1.1 Reference template 08280422 and 08280423.

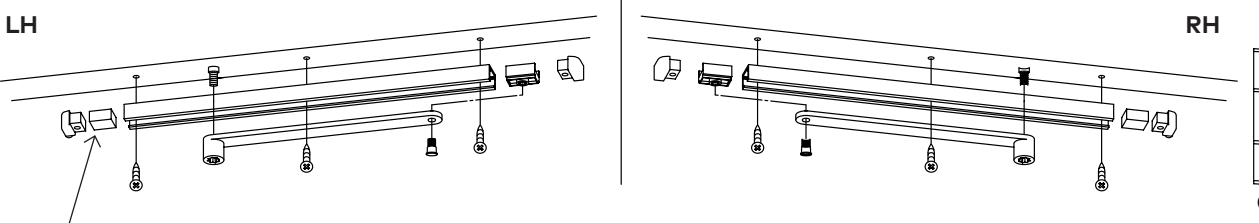
2.1.2 Secure drop plate (optional).

2.1.3 Secure closer body.

NOTE: Ensure pinion is oriented away from hinge.

2.2 Assemble and secure track

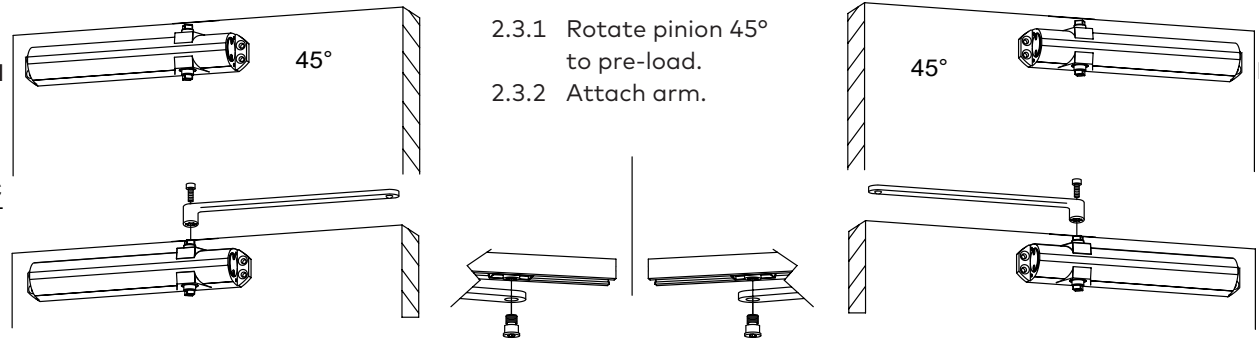
Fig.3



NOTE: For 180° openings, assemble track without rubber stop.

2.3 Securing main arm to closer



Fig.4






2.3.1 Rotate pinion 45° to pre-load.

2.3.2 Attach arm.

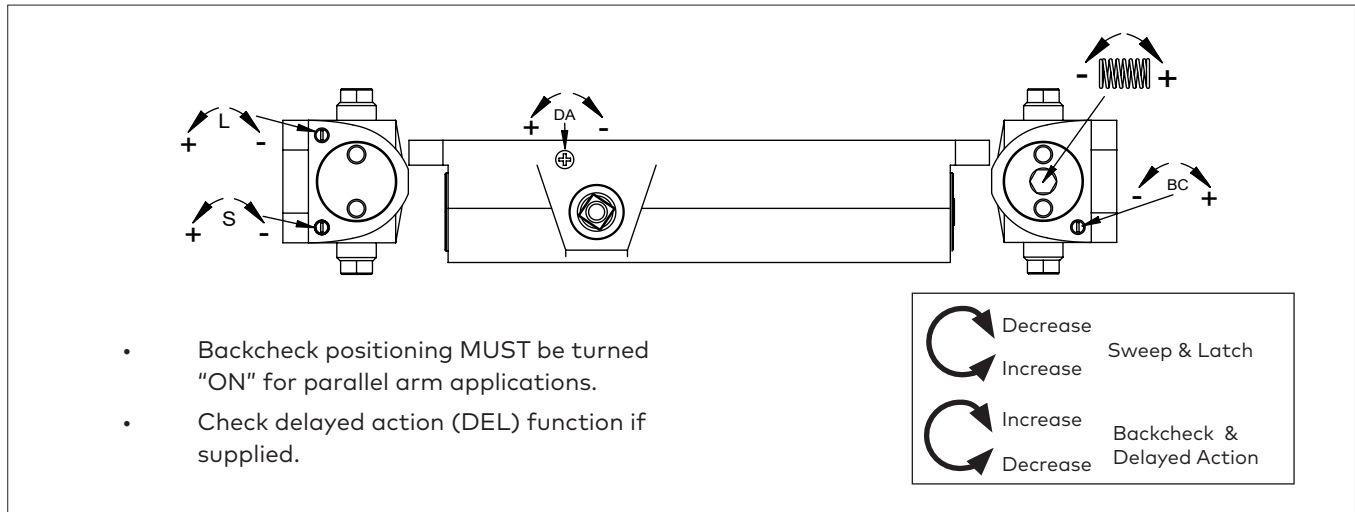
3 Adjustments

-  Confirm closer spring size prior to making any closing speed adjustments.
-  Do not back valve heads out beyond closer casting.

-  Maximum opening angle is 180°.
-  Door should close in 3 to 6 seconds from 90°.
-  Do not close valves completely.

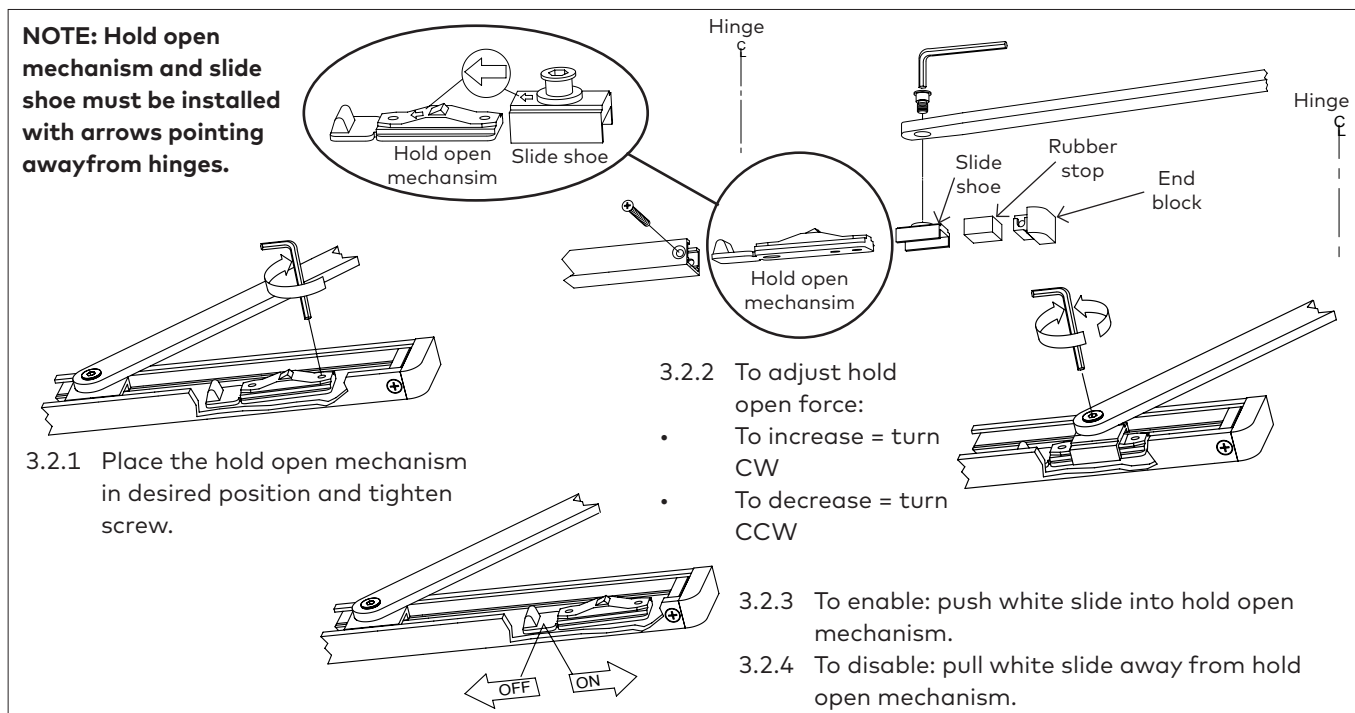
3.1 Adjust closing speeds: sweep, latch, backcheck, delayed action

Fig.5



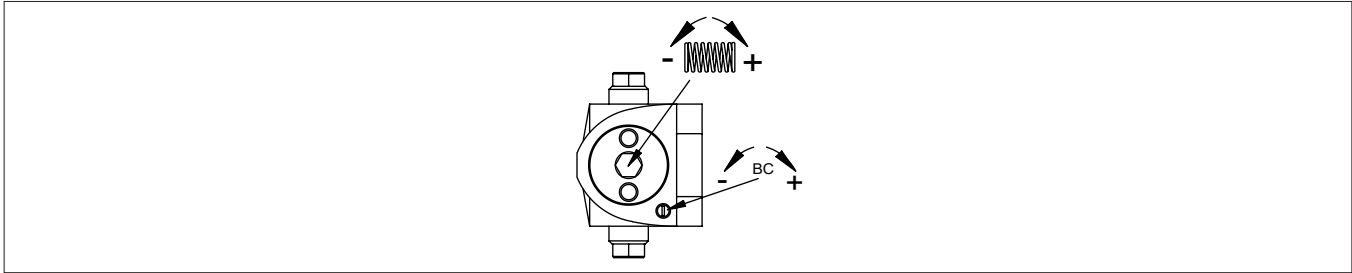
3.2 Adjust hold open (optional)

Fig.6



3.3 Adjust spring force

Fig.7



| Track mount | | | | |
|-------------|-------------|-----------------------|------------|------------|
| | Closer size | Max door weight (lbs) | Door width | Full turns |
| | | | Interior | |
| 7436 | 4 | 100 | 2'-6" | +4 |
| | 5 | 125 | 3' | +8 |
| | 6 | 150 | 3'-6" | +12 |

4 Install covers

Fig.8

