

# 7400 T/TH, JT/JTH, FT/FTH

Pull side mount (closer on frame, track on door) T/TH

Pull side mount (closer on door, track on frame) JT/JTH

Push side mount (closer on transom, track on door) FT/FTH

## Installation instructions

08279591 – 01-2021

| EN |


dormakaba 


# Table of contents



<b>1</b>	<b>Technical specifications</b>	<b>3</b>
1.1	Overview	3
1.2	Tools recommended	3
1.3	Handing the door	3
<b>2</b>	<b>Instructions - track mount</b>	<b>4</b>
2.1	Installing (optional) plate and surface closer	4
2.2	Assemble and secure track	4
2.3	Securing main arm to closer	4
<b>3</b>	<b>Instructions - jamb track mount</b>	<b>5</b>
3.1	Installing (optional) plate and surface closer	5
3.2	Assemble and secure track	5
3.3	Securing main arm to closer	5
<b>4</b>	<b>Instructions - flush transom mount</b>	<b>6</b>
4.1	Installing surface closer	6
4.2	Assemble and secure track	6
4.3	Securing main arm to closer	6
<b>5</b>	<b>Adjustments</b>	<b>7</b>
5.1	Adjust closing speeds: sweep, latch, backcheck, delayed action	7
5.2	Adjust hold open (optional)	7
5.3	Adjust spring force	8
<b>6</b>	<b>Install covers</b>	<b>8</b>


# 1 Technical specifications


## 1.1 Overview


-  Caution: sex nuts are required for attachment of components to unreinforced doors and to wood or plastic faced composite type fire doors, unless an alternative method is identified in the individual door manufacturer’s listings.

 Maximum door opening degree is 180°.

 Arrow on backplate points upward.
-  Hold open range is from 80° to 145° with optional hold open kit.

 Know the swing of the door which is being installed prior to installation.

 Verify closer spring size prior to installation.

 Make sure door efficiently operates prior to installing closer.

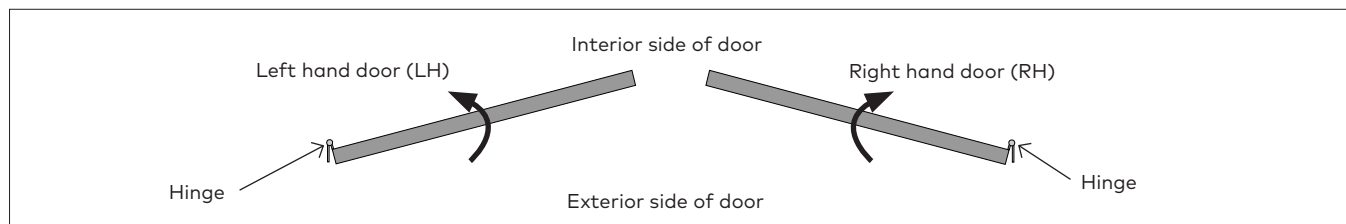
## 1.2 Tools recommended

Table 1

Drill bits:	#3 Phillips screwdriver
Metal: 7/32" drill bit; 1/4-20 tap	3/16" flat head screwdriver
Wood: 3/8" and 5/32" bit	2.5, 5, 6mm hex key
7/16", 1/2" box wrench	

## 1.3 Handing the door

Fig.1



# 2 Instructions - track mount

## 2.1 Installing (optional) plate and surface closer

Fig.2

**NOTE: Mount on pull side of door.**

2.1.1 Reference template 08279592 and 08279593.

2.1.2 Secure (optional) plate.

2.1.3 Secure closer body.

**NOTE: Ensure pinion is oriented away from the hinge.**

## 2.2 Assemble and secure track

Fig.3

Rubber stop

2.2.1 For 180° openings, assemble track without rubber stop.

## 2.3 Securing main arm to closer

Fig.4

45°

45°

2.3.1 Rotate pinion 45° to pre-load.

2.3.2 Attach arm.

# 3 Instructions - jamb track mount

## 3.1 Installing (optional) plate and surface closer

Fig.5

**NOTE: Mount on pull side of door.**

**NOTE: Ensure pinion is oriented toward the hinge.**

3.1.1 Reference template 08279594 and 08279595.  
3.1.2 Secure (optional) plate.

3.1.3 Secure closer body.

## 3.2 Assemble and secure track

Fig.6

Rubber stop

3.2.1 For 180° openings, assemble track without rubber stop.

## 3.3 Securing main arm to closer

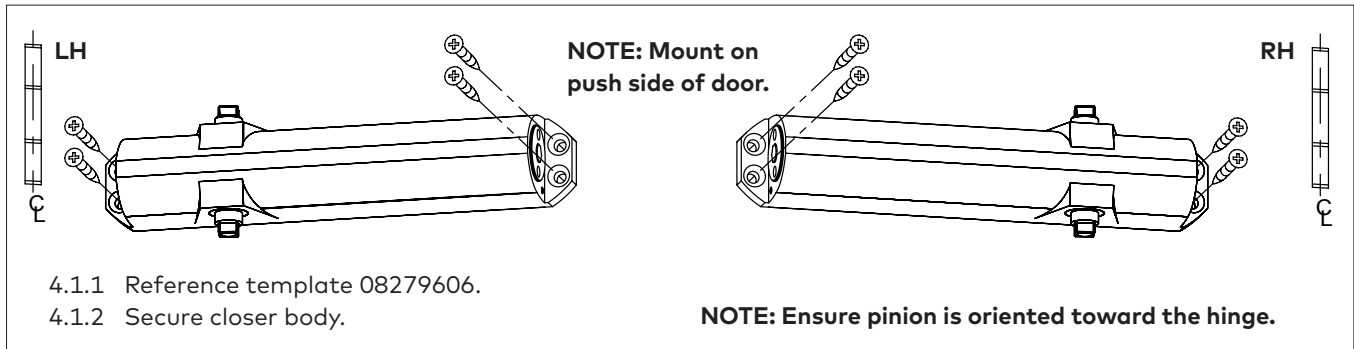
Fig.7

3.3.1 Rotate pinion 45° to pre-load.  
3.3.2 Attach arm.

# 4 Instructions - flush transom mount

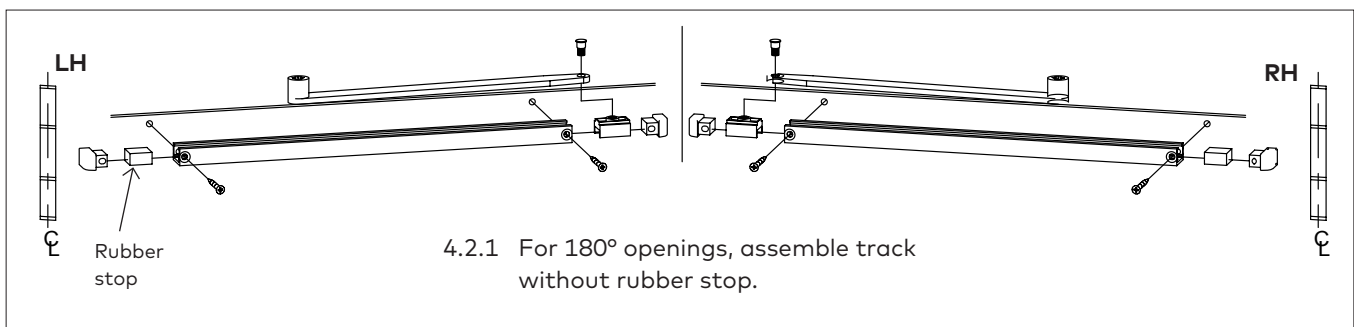
## 4.1 Installing surface closer

Fig.8



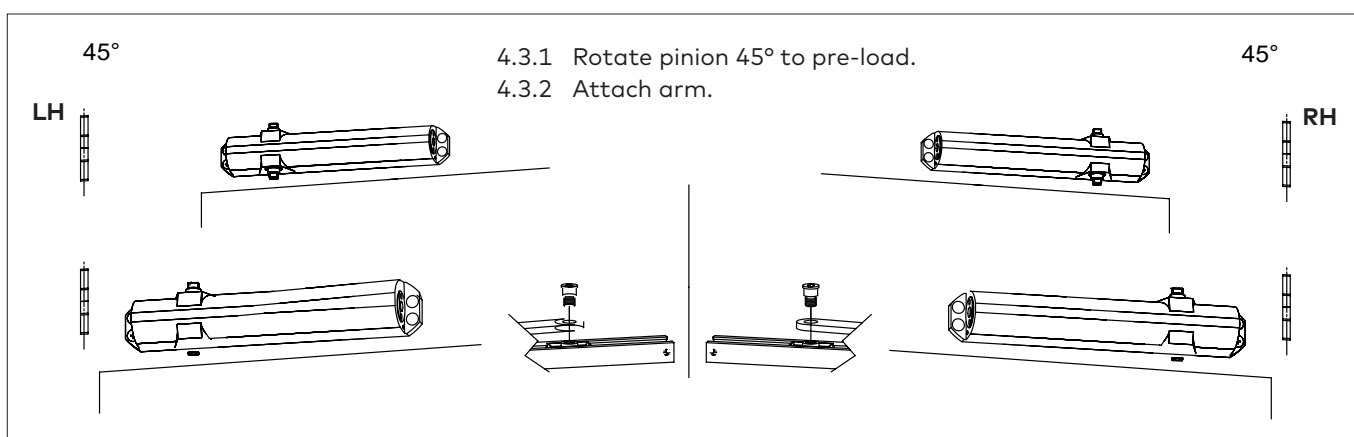
## 4.2 Assemble and secure track

Fig.9








## 4.3 Securing main arm to closer

Fig.10



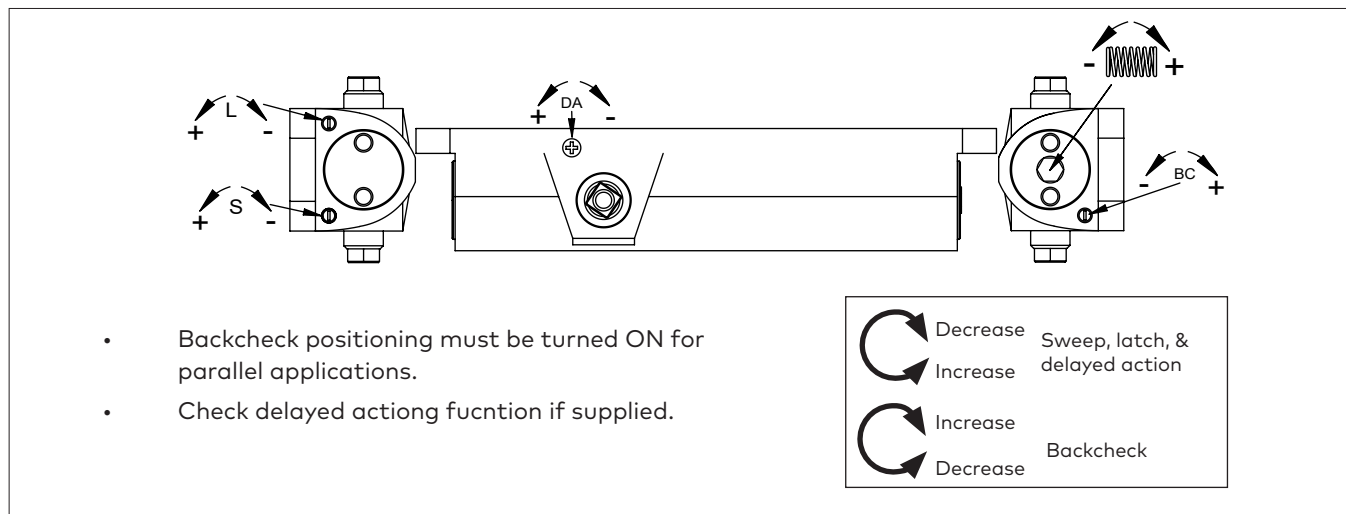
# 5 Adjustments

-  Confirm closer spring size prior to making any closing speed adjustments.
-  Do not back valve heads out beyond closer casting.

-  Maximum opening angle is 180°.
-  Door should close in 3 to 6 seconds from 90°.
-  Do not close valves completely.

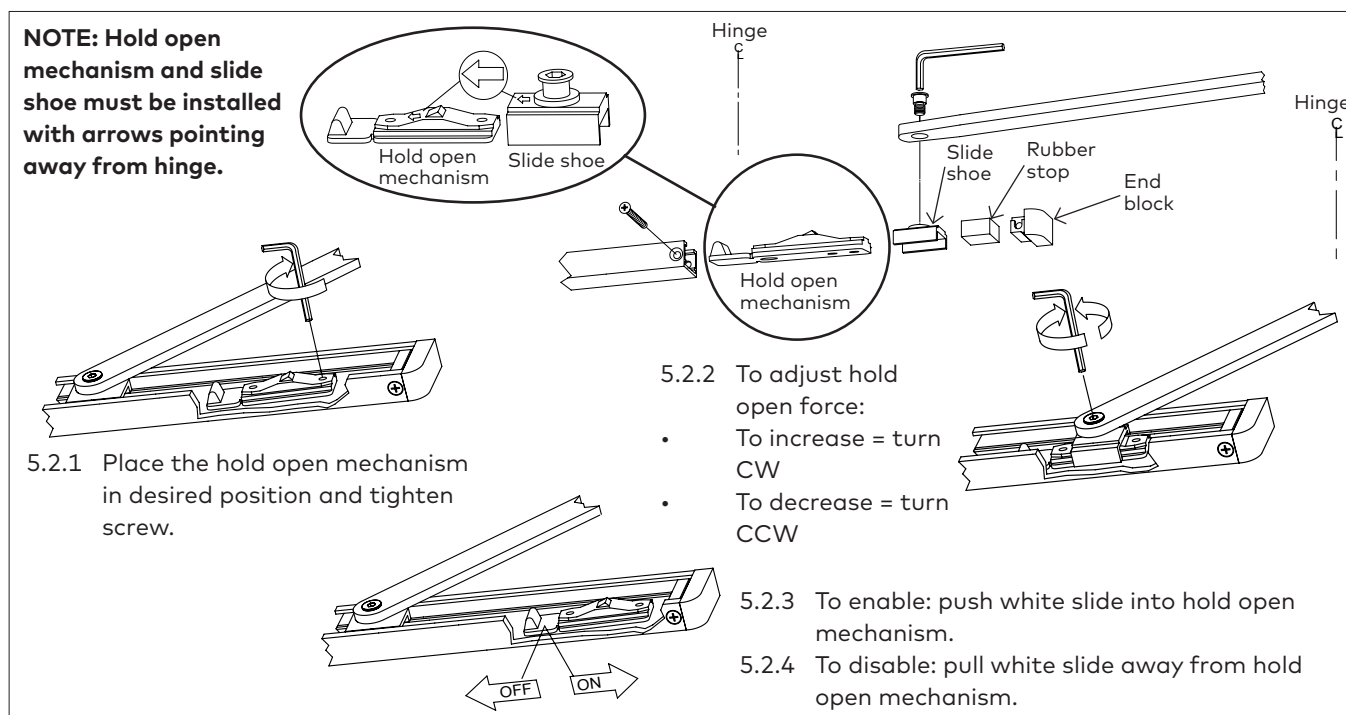
## 5.1 Adjust closing speeds: sweep, latch, backcheck, delayed action

Fig.11



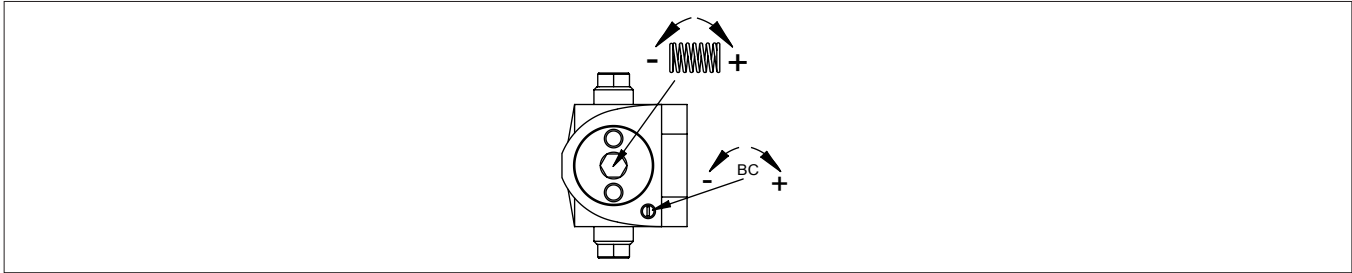
## 5.2 Adjust hold open (optional)

Fig.12



### 5.3 Adjust spring force

Fig.13



Track mount				
	Closer size	Max door weight (lbs)	Door width	Full turns
			Interior	
7436	4	100	2'-6"	+4
	5	125	3'	+8
	6	150	3'-6"	+12

## 6 Install covers

Fig.14

