

7400 ARP x PD

Round arm for parallel mount
with parallel drop bracket

Installation instructions

08279951 – 01-2021

| EN |


dormakaba 


Table of contents


1	Technical specifications	3
1.1	Overview	3
1.2	Tools recommended	3
1.3	Handing the door	3
2	Instructions - AR parallel mount	4
2.1	Closer system: Round arm (AR)	4
2.2	Installing drop plate and closer	4
2.3	Installing parallel drop bracket and arms (AR)	4
3	Adjustments	5
4.1	Adjust closing speeds: sweep, latch, backcheck, delayed action	5
4.2	Adjust spring force	6
4	Install covers	6


1 Technical specifications


1.1 Overview

 Caution: sex nuts are required for attachment of components to unreinforced doors and to wood or plastic faced composite type fire doors, unless an alternative method is identified in the individual door manufacturer’s listings.

 Maximum door opening degree is 180°.

 Know the swing of the door which is being installed prior to installation.

 Verify closer spring size prior to installation.

 Make sure door efficiently operates prior to installing closer.

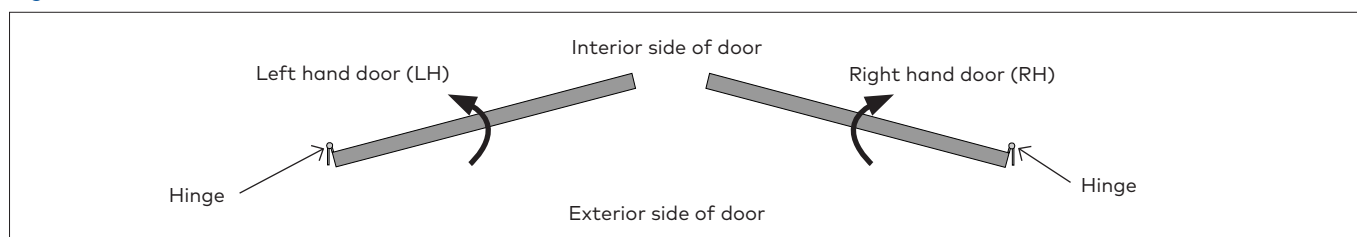
1.2 Tools recommended

Table 1

Drill bits:	#3 Phillips screwdriver
Metal: 7/32" drill bit; 1/4-20 tap	3/16" flat head screwdriver
Wood: 3/8" and 5/32" bit	1/4", 1/8", 5mm hex key
1/2" box wrench	

1.3 Handing the door

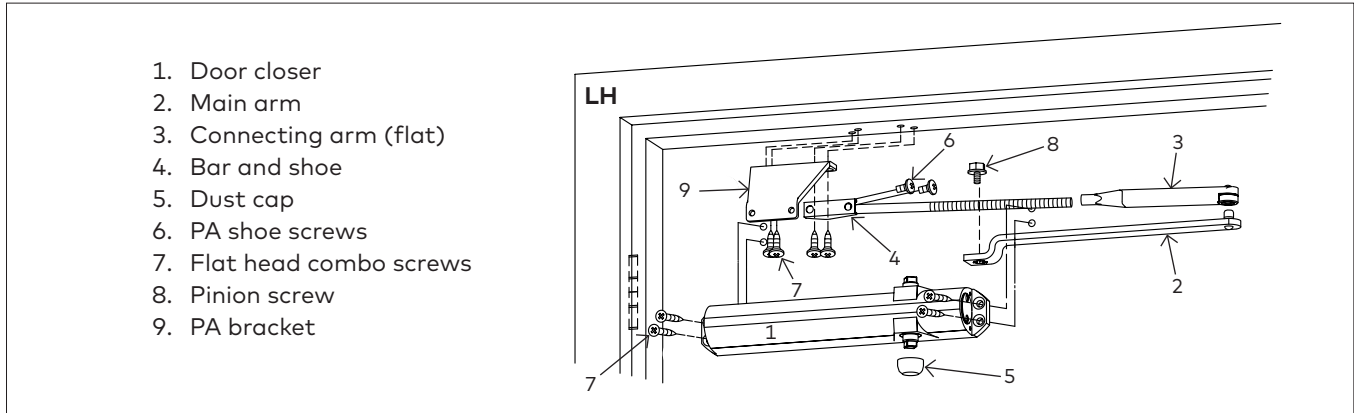
Fig.1



2 Instructions - AR parallel mount

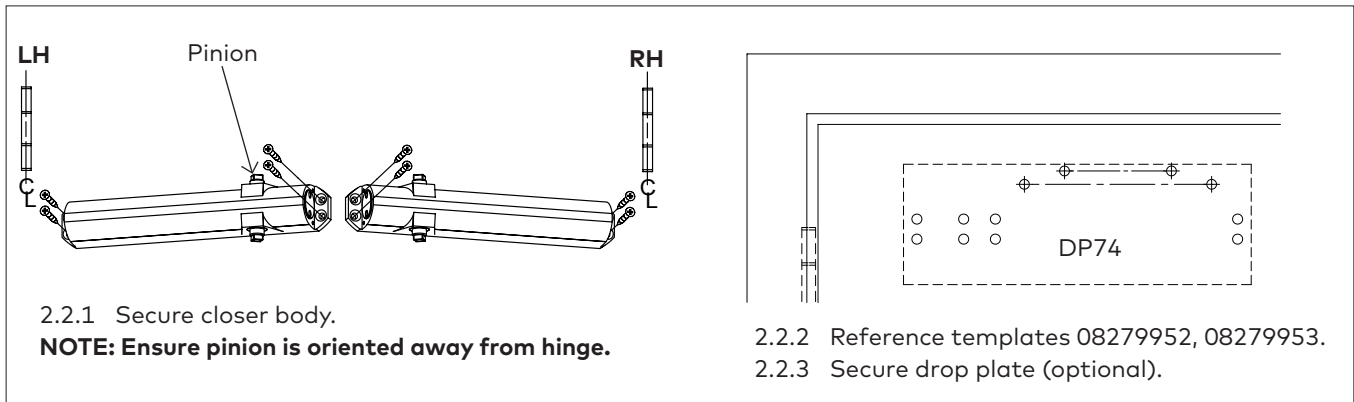
2.1 Closer system: Round arm (AR)

Fig.2



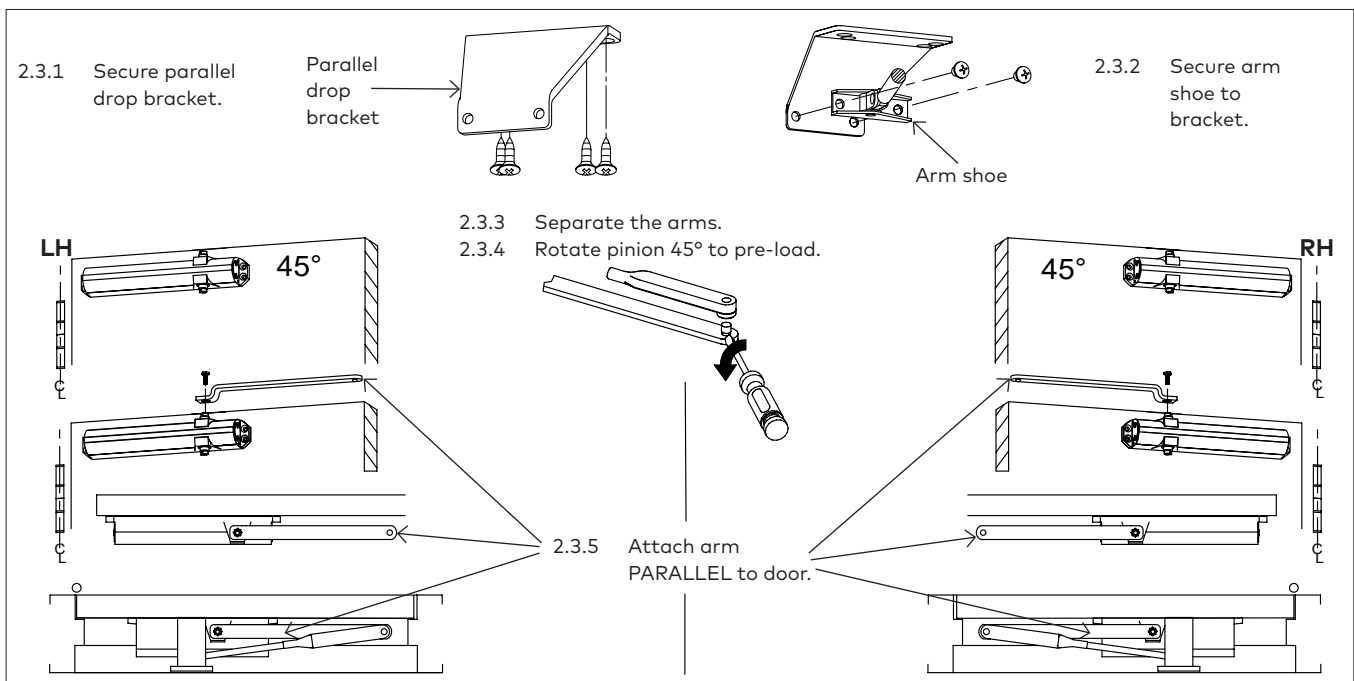
2.2 Installing drop plate and closer

Fig.3



2.3 Installing parallel drop bracket and arms (AR)

Fig.4

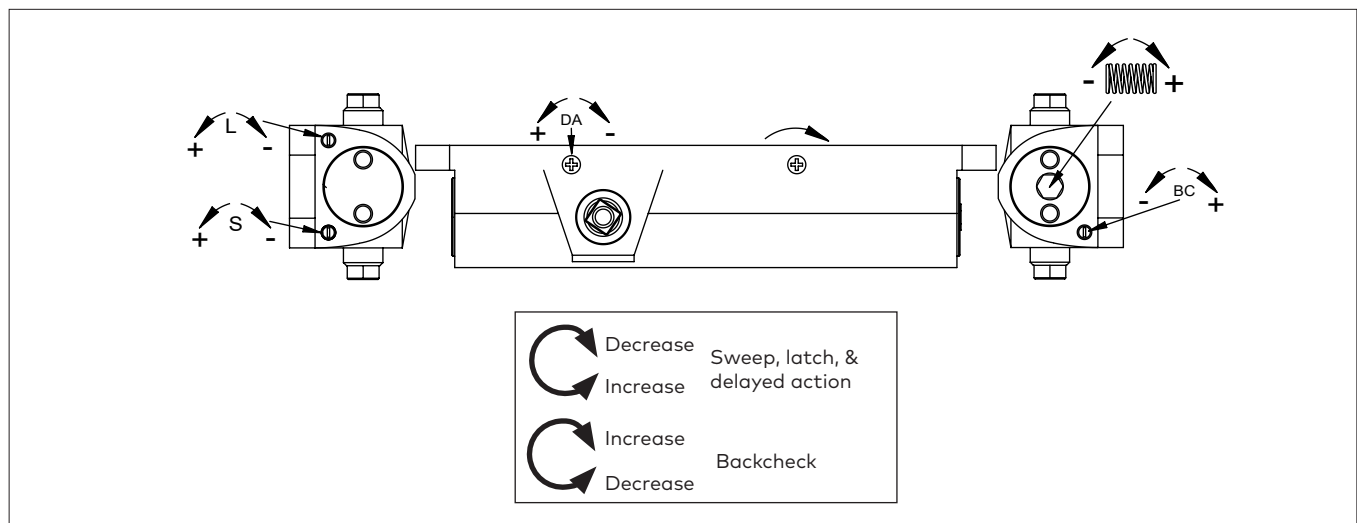


3 Adjustments

- ⚠ Confirm closer spring size prior to making any closing speed adjustments.
- ⚠ Do not back valve heads out beyond closer casting.
- ⚠ Backcheck positioning MUST be turned "ON" for parallel arm applications.
- ⚠ Backcheck position will advance approximately 15°.
- ⚠ Check delayed action (DEL) function if supplied.
- ⚠ Maximum opening angle is 180°.
- ⚠ Door should close in 3 to 6 seconds from 90°.
- ⚠ Do not close valves completely.
- ⚠ Ball bearing hinges and pivots should always be used.
- 7414 meets 5lb interior barrier-free requirements.
- ⚠ If necessary, adjust closer spring and test pull forces until proper forces are obtained.

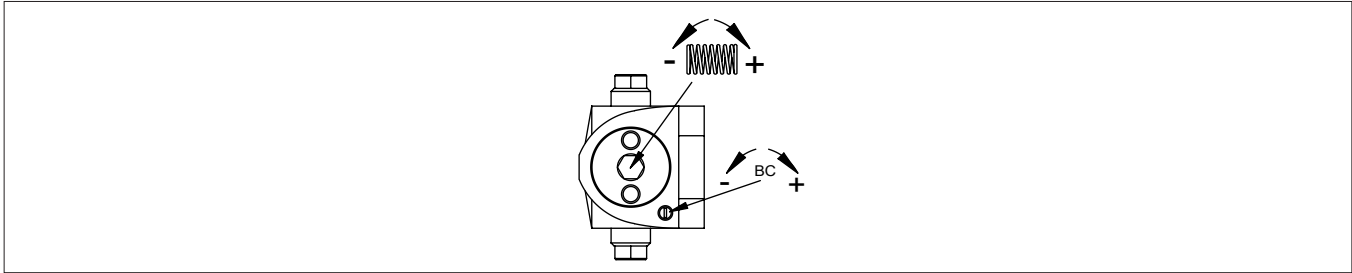
4.1 Adjust closing speeds: sweep, latch, backcheck, delayed action

Fig.5



4.2 Adjust spring force

Fig.6



Parallel mount					
	Closer size	Max door weight (lbs)	Door width		Full turns
			Interior	Exterior	
	3	100	2'6"	----	-4
	4	125	3'	2'6"	0
	5	150	3'6"	3'	+4
	6	200	4'	3'6"	+8

4 Install covers

Fig.7

