

7400 DS/DST/SDS/SDST

Door saver and spring door saver arms
with thumb turn and key turn hold open

Installation instructions

08279441 – 01-2021

| EN |


dormakaba 


Table of contents


1	Technical specifications	3
1.1	Overview	3
1.2	Tools recommended	3
1.3	Handing the door	3
1.4	Closer system	3
2	Instructions - parallel mount	4
2.1	Installing (optional) drop plate and surface closer	4
2.2	Secure door saver arms (DS/DST or SDS/SDST)	4
2.3	Secure soffit plate to frame: spacer block, blade stop, or narrow frame bracket	5
2.4	Securing main arm to closer	6
2.5	Adjust hold open (DST/DSK units only)	6
3	Adjustments	7
3.1	Adjust closing speeds: sweep, latch, backcheck, delayed action	7
3.2	Adjust spring force	8
4	Install covers	8


1 Technical specifications


1.1 Overview


 Caution: sex nuts are required for attachment of components to unreinforced doors and to wood or plastic faced composite type fire doors, unless an alternative method is identified in the individual door manufacturer’s listings.

 Maximum door opening degree is 110°.

 Hold open range is from 85° to 110° with optional hold open kit.

 Know the swing of the door which is being installed prior to installation.

 Verify closer spring size prior to installation.

 Make sure door efficiently operates prior to installing closer.

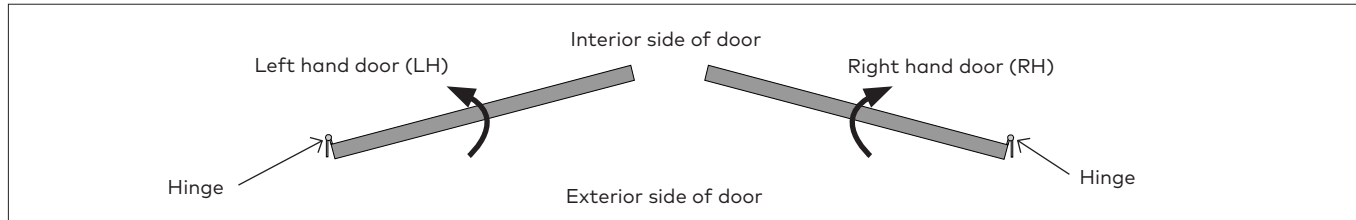
1.2 Tools recommended

Table 1

Drill bits:	#3 Phillips screwdriver
Metal: 7/32" drill bit; 1/4-20 tap	3/16" flat head screwdriver
Wood: 3/8" and 5/32" bit	1/4", 1/8", 5mm hex key
1/2" box wrench	10" box wrench

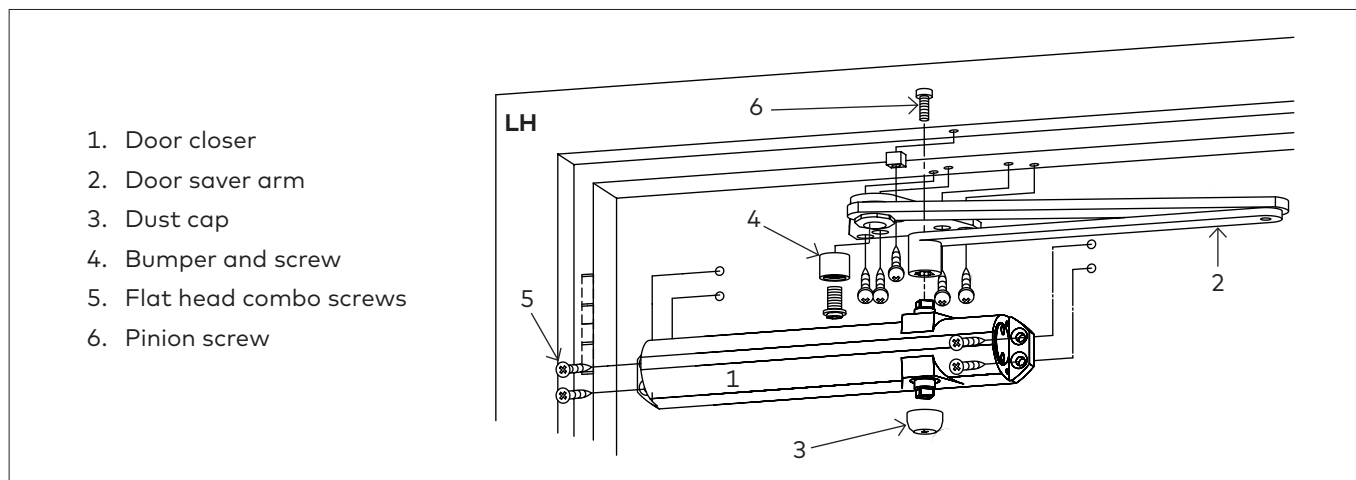
1.3 Handing the door

Fig.1



1.4 Closer system

Fig.2

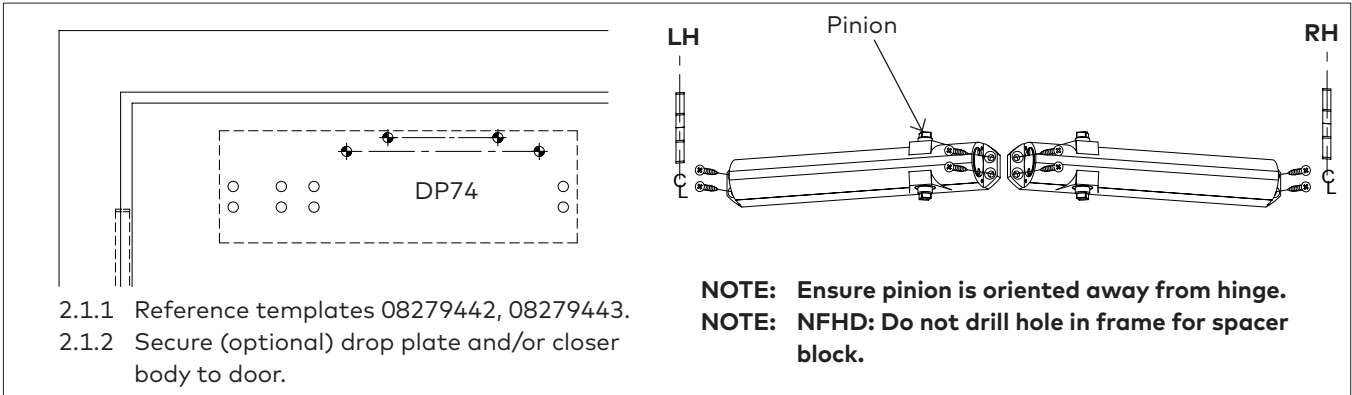


1. Door closer
2. Door saver arm
3. Dust cap
4. Bumper and screw
5. Flat head combo screws
6. Pinion screw

2 Instructions - parallel mount

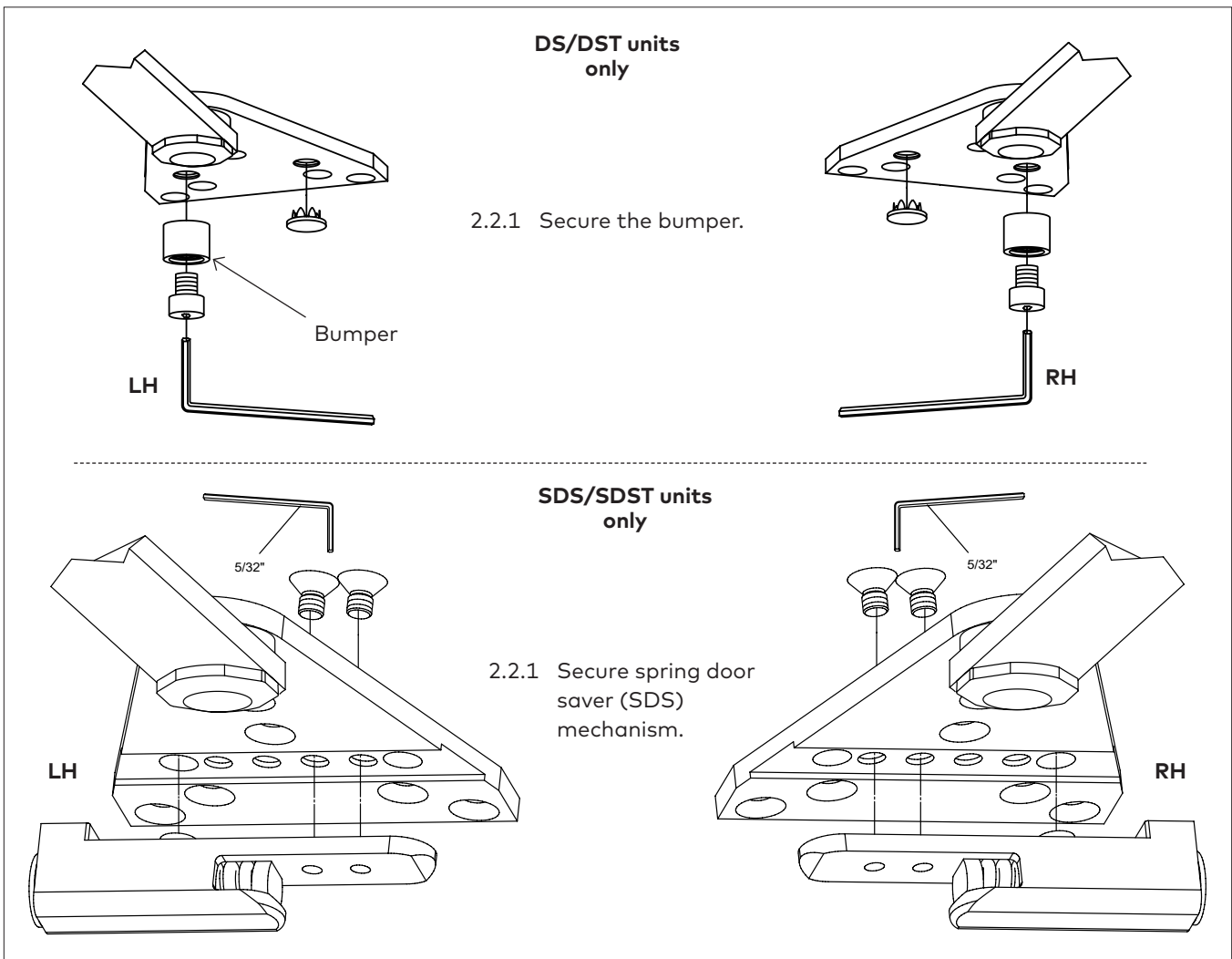
2.1 Installing (optional) drop plate and surface closer

Fig.3



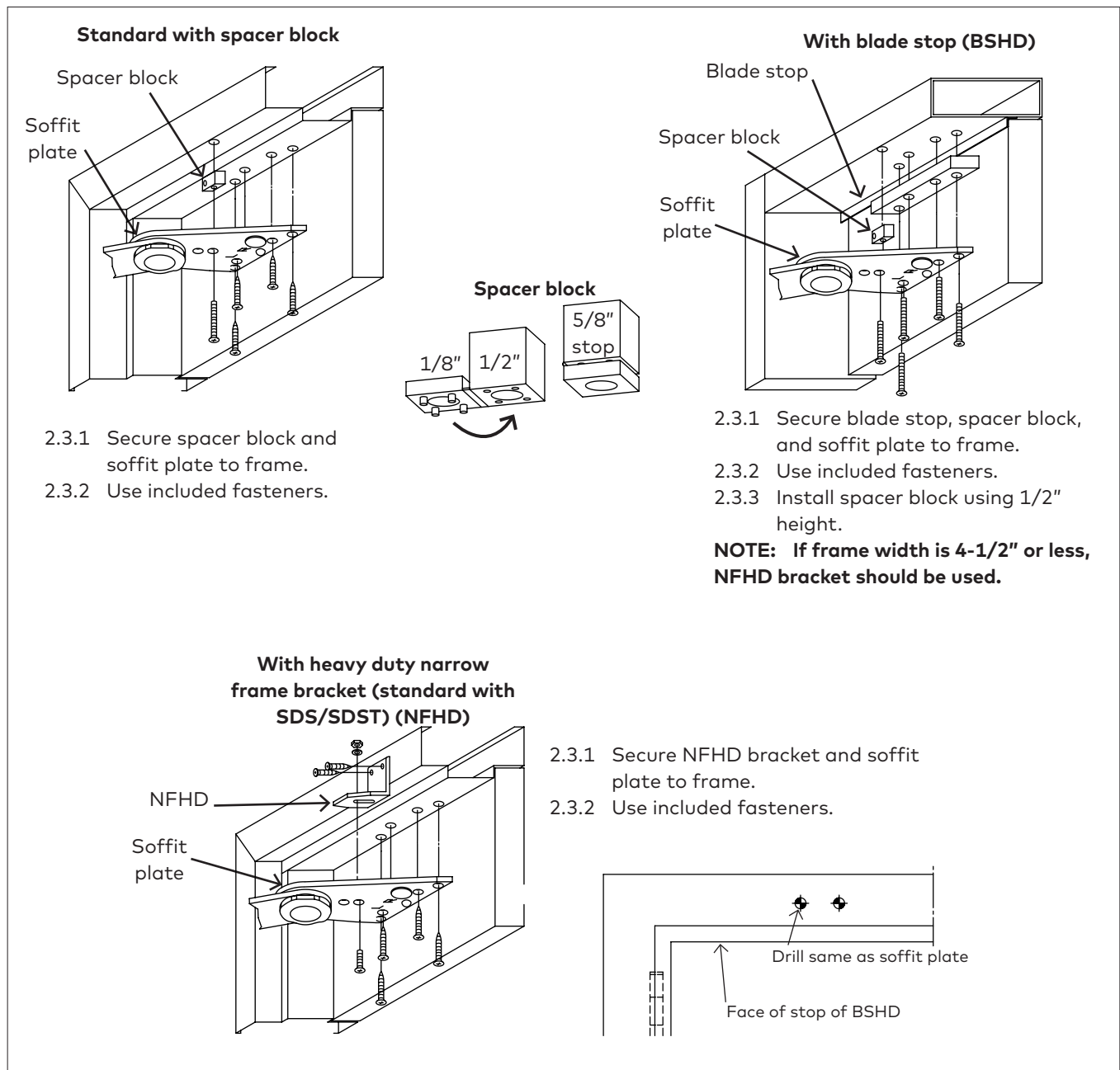
2.2 Secure door saver arms (DS/DST or SDS/SDST)

Fig.4



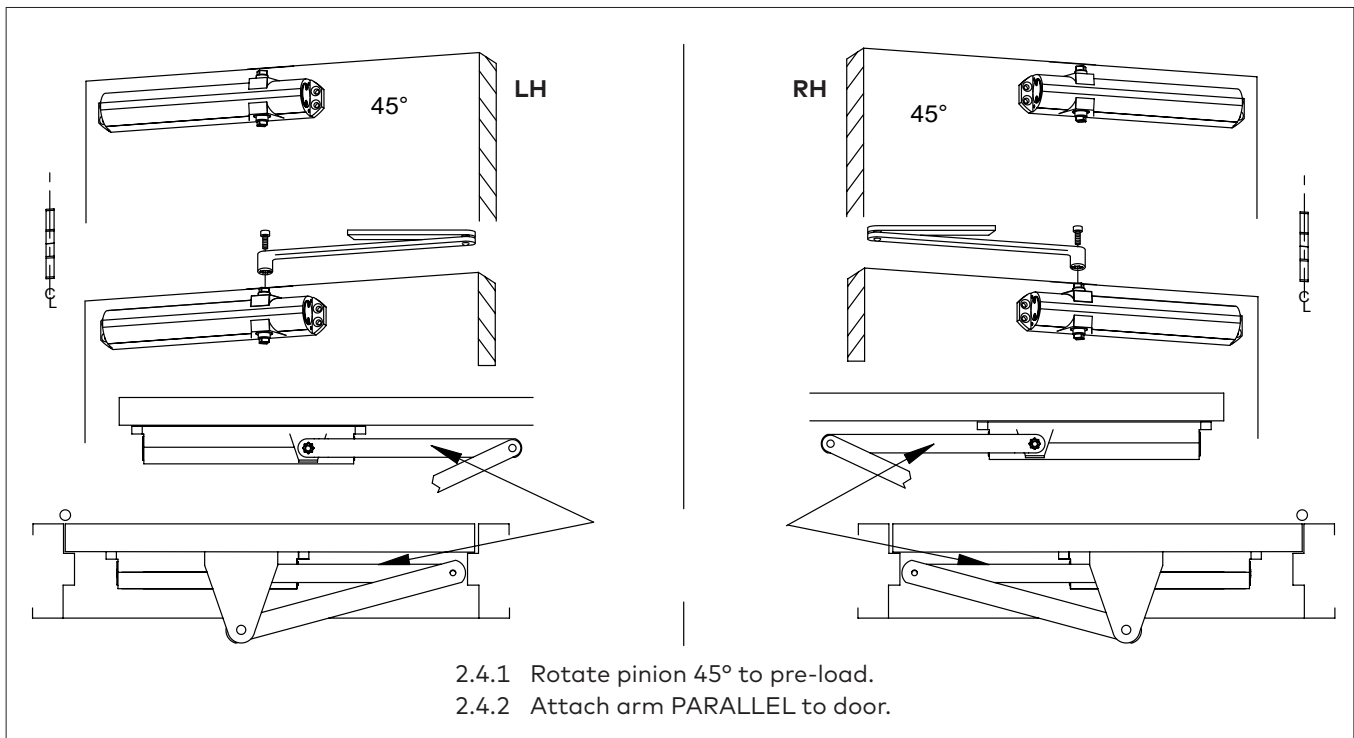
2.3 Secure soffit plate to frame: spacer block, blade stop, or narrow frame bracket

Fig.5



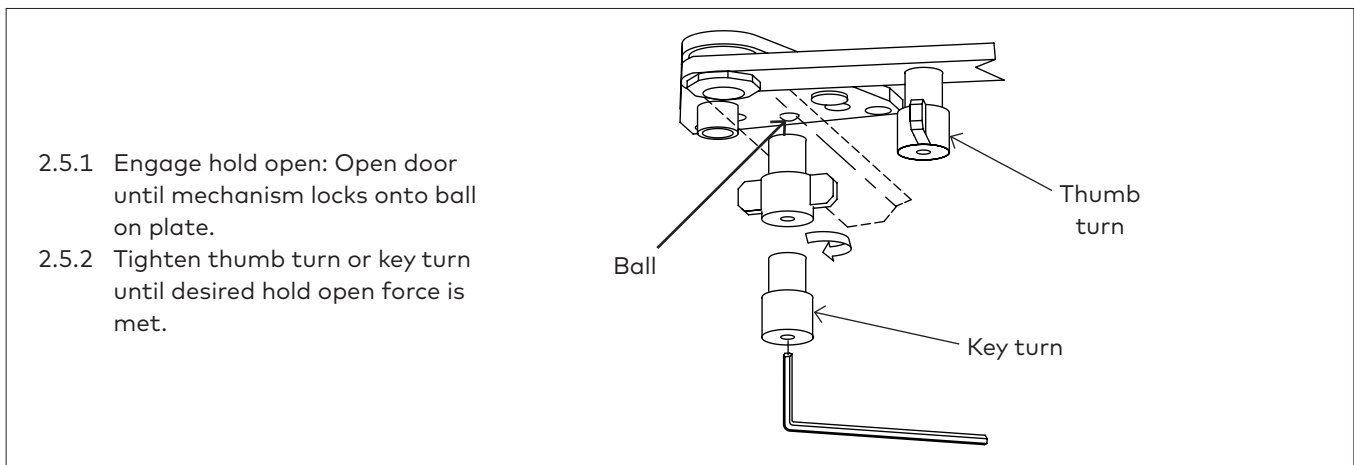
2.4 Securing main arm to closer

Fig.6












2.5 Adjust hold open (DST/DSK units only)

Fig.7

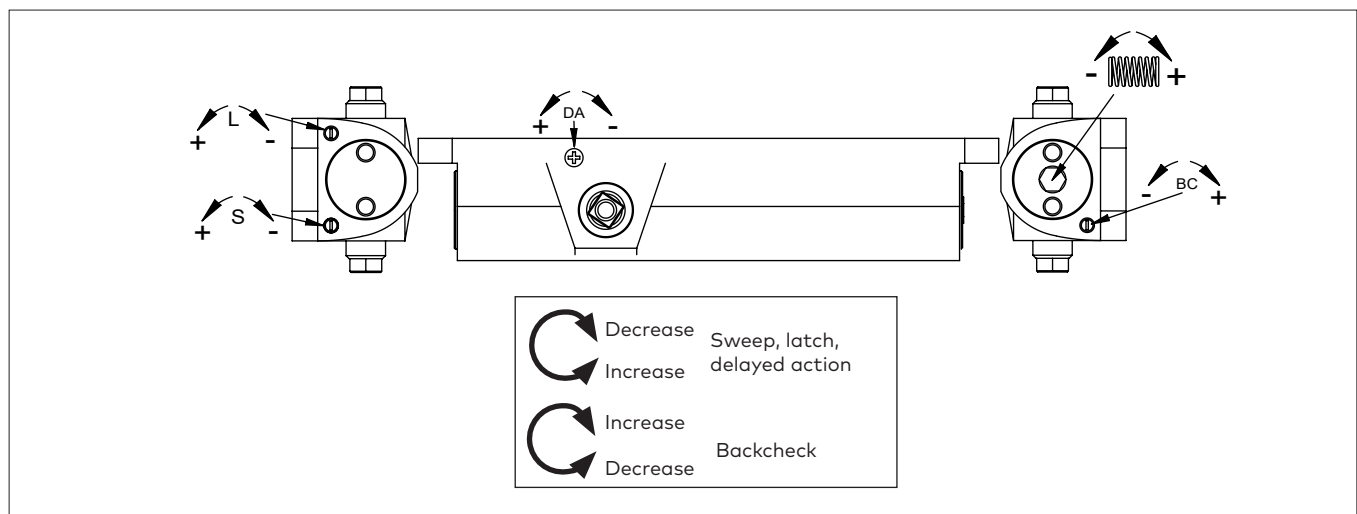


3 Adjustments

-  Confirm closer spring size prior to making any closing speed adjustments.
-  Do not back valve heads out beyond closer casting.
-  Check delayed action (DEL) function if supplied.
-  7414 meets 5lb interior barrier-free requirements.
-  If necessary, adjust closer spring and test pull forces until proper forces are obtained.
-  Maximum opening angle is 110°.
-  Door should close in 3 to 6 seconds from 90°.
-  Do not close valves completely.
-  Ball bearing hinges and pivots should always be used.

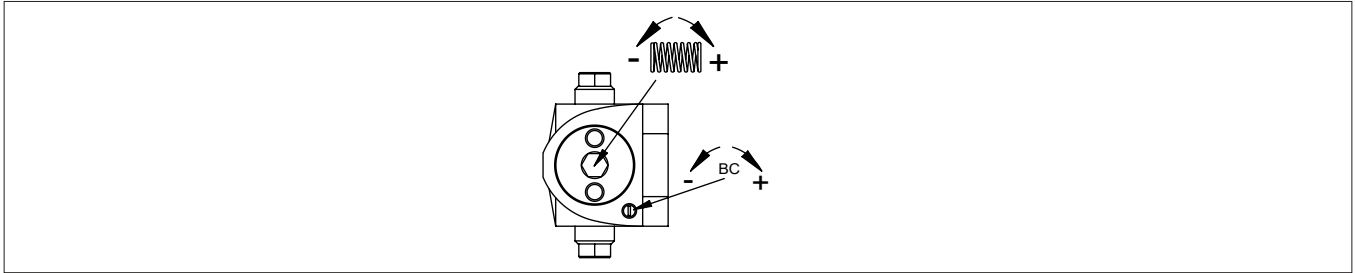
3.1 Adjust closing speeds: sweep, latch, backcheck, delayed action

Fig.8



3.2 Adjust spring force

Fig.9



Parallel mount					
	Closer size	Max door weight (lbs)	Door width		Full turns
			Interior	Exterior	
7414	3	100	2'-6"	---	0
	4	125	3'	2'6"	+8
	5	150	3'6"	3'	+16
	6	200	4'	3'6"	+24

4 Install covers

Fig.10

