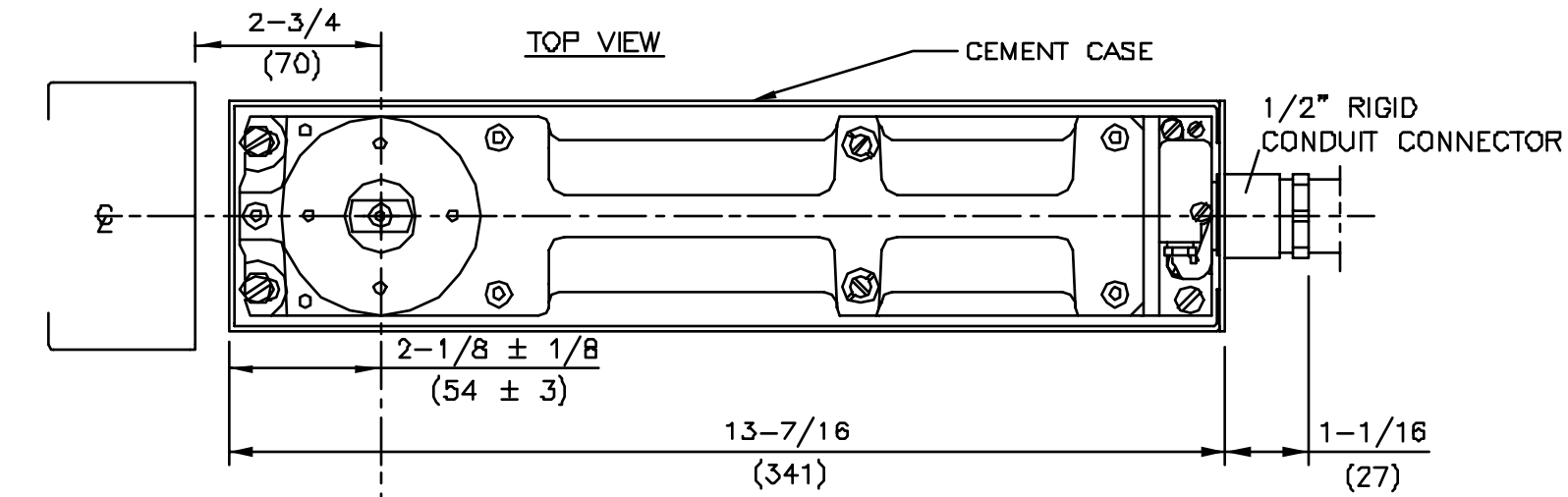
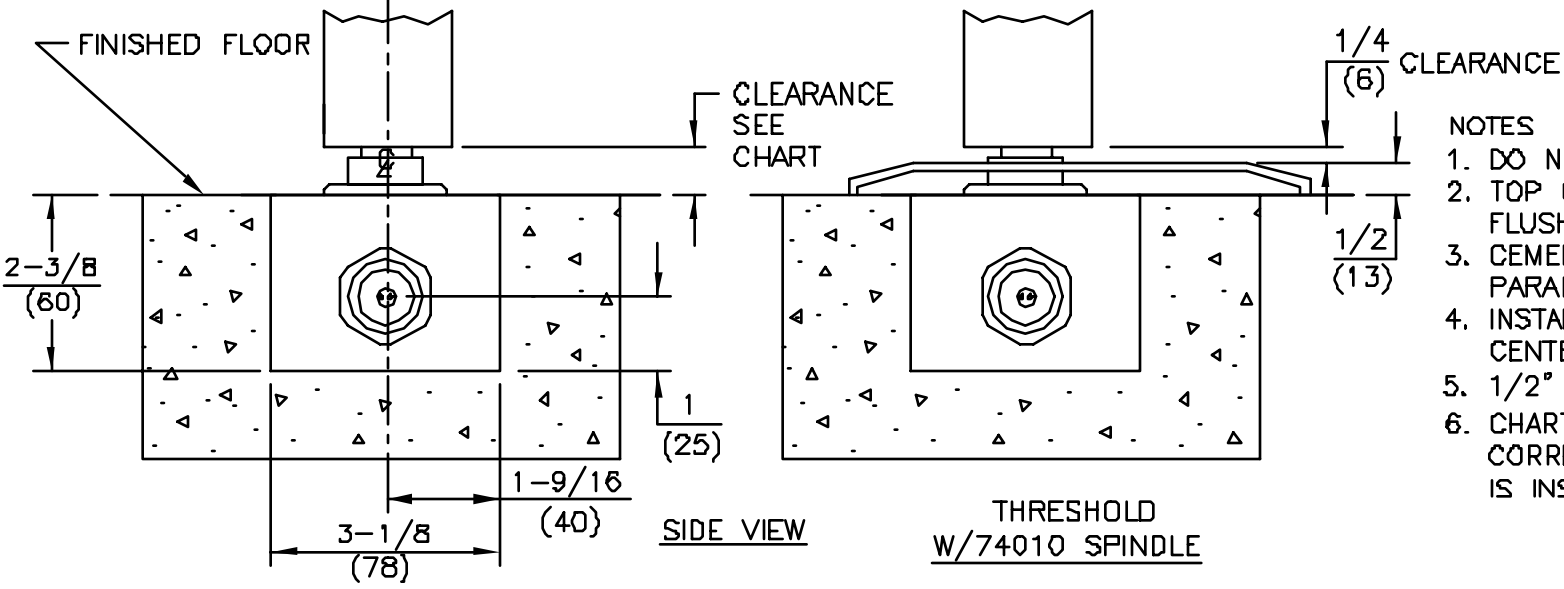


No.	REVISIONS	DATE



SPINDLE NO.	CLEARANCE
74003	5/16"
74005	1/2"
74007	5/8"
(STD.)74010	3/4"
74012	13/16"
74015	7/8"
74020	1-1/8"
74025	1-5/16"
74030	1-1/2"
74035	1-11/16"
74040	1-7/8"
74045	2-1/16"
74050	2-5/16"



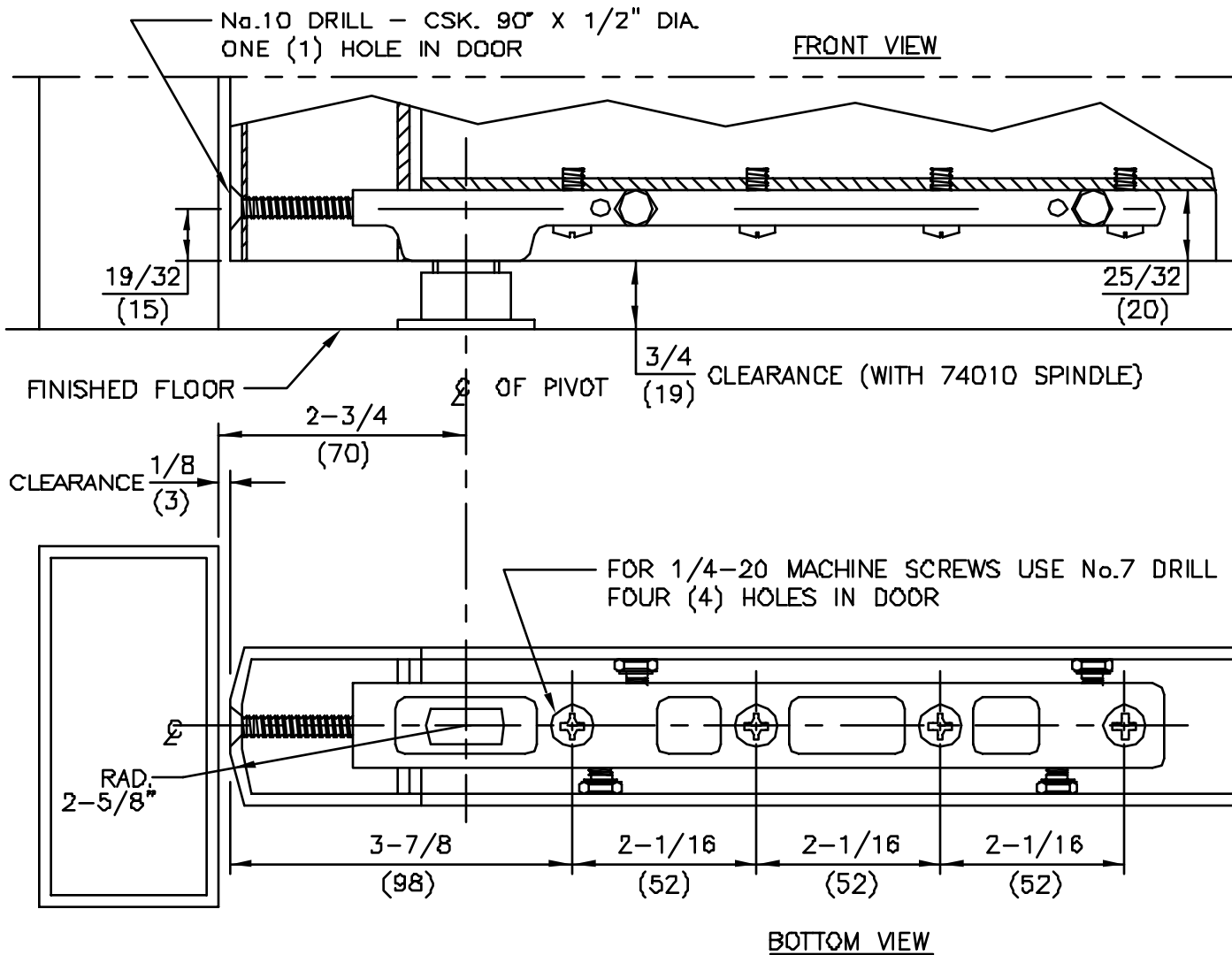
- NOTES
1. DO NOT SCALE DRAWING.
  2. TOP OF CEMENT CASE MUST BE FLUSH WITH FINISH FLOOR LINE.
  3. CEMENT CASE MUST BE LEVEL AND PARALLEL TO FRAME.
  4. INSTALL CEMENT CASE WITH CLOSER CENTERED IN CASE.
  5. 1/2" RIGID CONDUIT BY OTHERS.
  6. CHART VALID ONLY IF CORRESPONDING DOOR PORTION IS INSTALLED PER TEMPLATE.

FLOOR CLOSER MODELS: BTS 80EMB/G, BTS 80EMB/H  
 CENTER HUNG 2-3/4" BACKSET  
 CEMENT CASE PLACEMENT



DORMA Architectural Hardware  
 REAMSTOWN, PENNSYLVANIA 17567  
 TEMPLATE No. BTS-62

No.	REVISIONS	DATE



**NOTES**

1. DO NOT SCALE DRAWING.
2. DIMENSIONS ARE IN INCHES/(MM).
3. ALL NECESSARY REINFORCEMENT FOR ARM BY OTHERS.

ITEM No. 7422  
 CENTER HUNG BOTTOM ARM  
 FOR USE WITH BTS 75, BTS 80, BTS 80EMB



DORMA Architectural Hardware  
 REAMSTOWN, PENNSYLVANIA 17567  
 TEMPLATE No. BTS-61

DATE

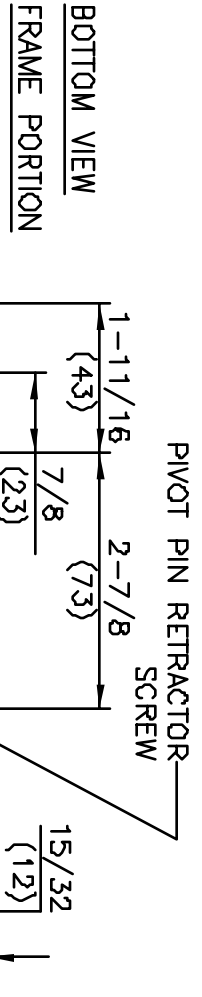
REVISIONS

No.

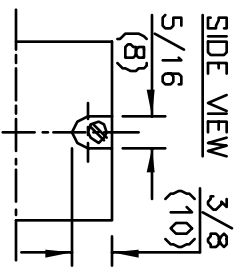
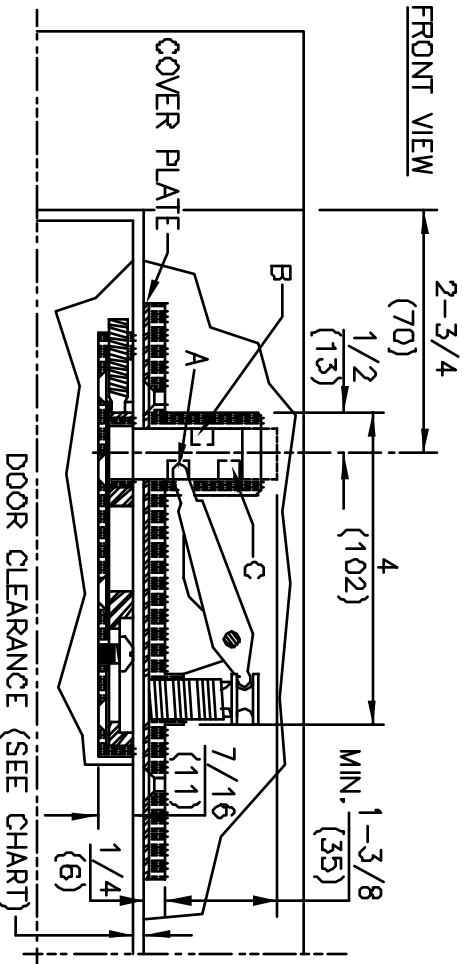
- NOTES
1. DO NOT SCALE DRAWING.
  2. DIMENSIONS ARE IN INCHES/(MM).
  3. ALL NECESSARY REINFORCING FOR PIVOTS BY OTHERS.
  4. PIVOT PIN DIAMETER .591/(15MM).
  5. PIVOT PIN PROJECTION IS ADJUSTABLE. SEE CHART FOR DOOR CLEARANCES.

DOOR CLEARANCE

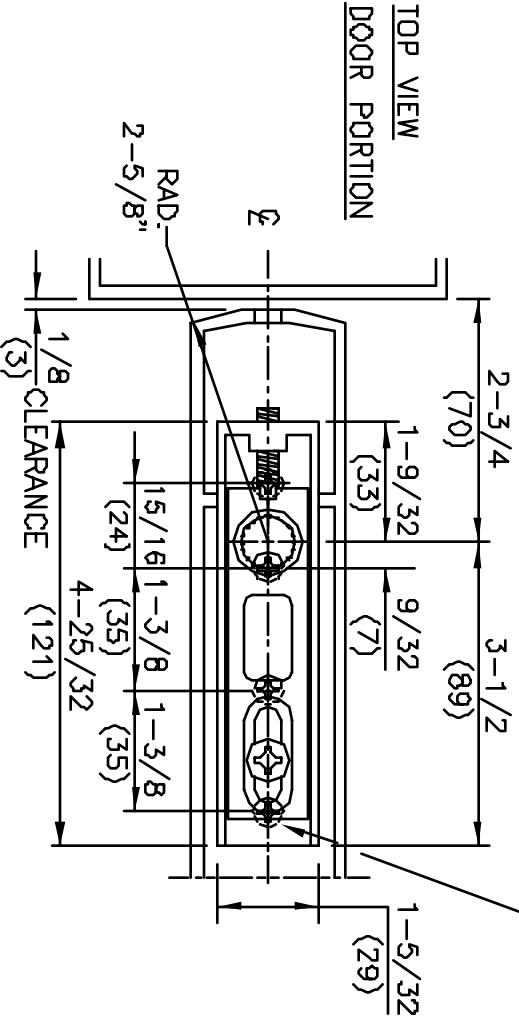
POSITION	STANDARD PIN	EXTENDED PIN
A	1/8" (3)	3/4" (19)
B	3/8" (10)	1" (25)
C	3/4" (19)	1-5/16" (33)



FOR 10-32 MACHINE SCREWS USE No.21 DRILL  
FOR WOOD SCREWS USE No.29 DRILL  
FOUR (4) HOLES FOR MOUNTING PIVOT



FOR 10-32 MACHINE SCREWS USE No.21 DRILL  
FOR WOOD SCREWS USE No.29 DRILL  
FOUR (4) HOLES IN DOOR



MODEL No. 8062, 8062 EXT PIN  
CENTER HUNG TOP PIVOT  
FOR USE WITH BTS 75, BTS 80, BTS 80EMB



DORMA Architectural Hardware  
REAMSTOWN, PENNSYLVANIA 17567  
TEMPLATE No. BTS-59