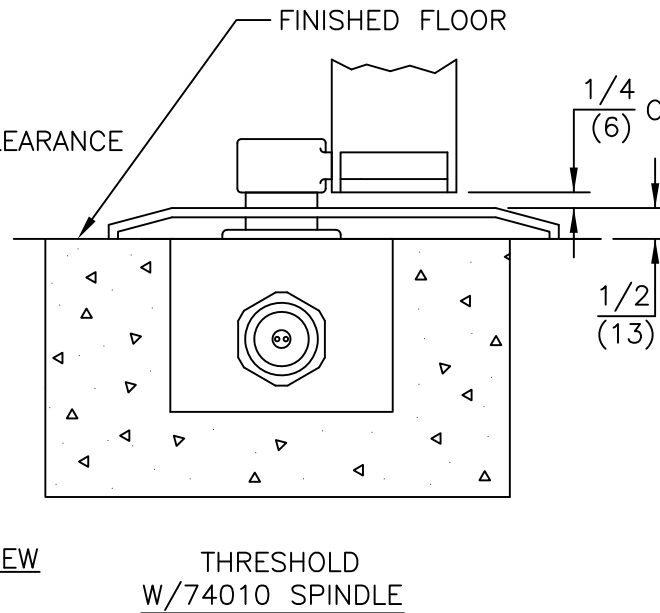
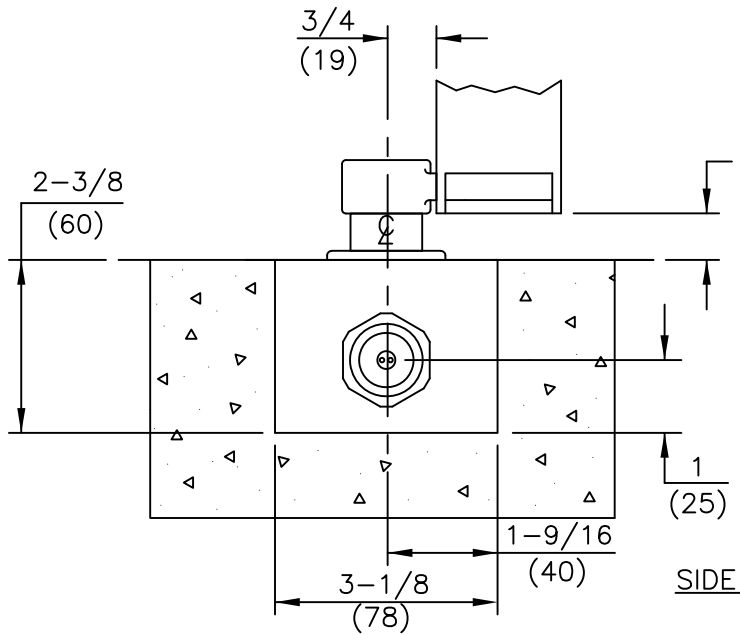
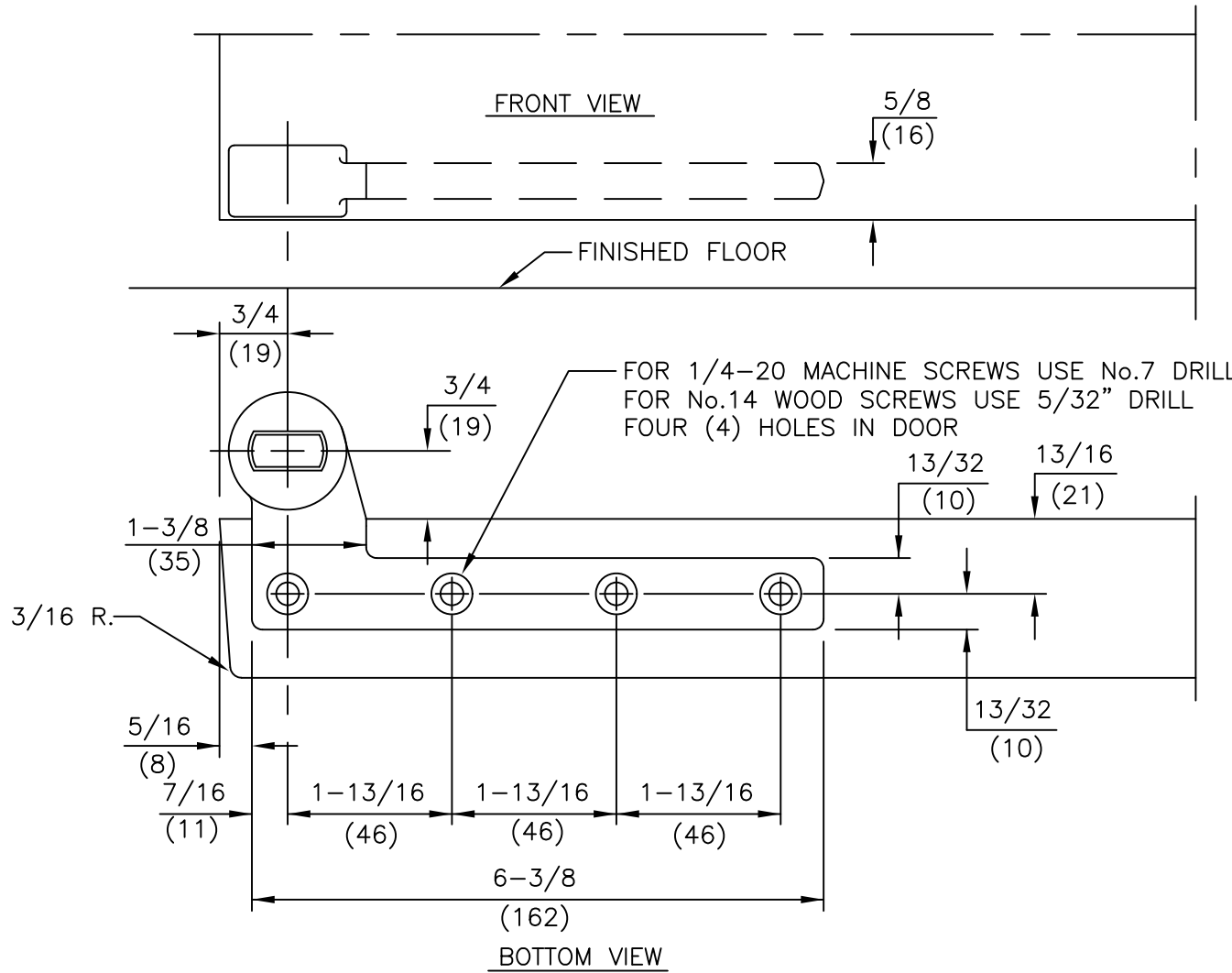


NOTES

1. DO NOT SCALE DRAWING.
2. TOP OF CEMENT CASE MUST BE FLUSH WITH FINISH FLOOR LINE.
3. CEMENT CASE MUST BE LEVEL AND PARALLEL TO FRAME.
4. INSTALL CEMENT CASE WITH CLOSER CENTERED IN CASE.
5. 1/2\" RIGID CONDUIT BY OTHERS.
6. 1/8\" INSET INSTALLATION SHOWN.
7. DIMENSIONS ARM IN INCHES / (MM).



SPINDLE NO.	CLEARANCE
74003	5/16"
74005	1/2"
74007	5/8"
(STD.) 74010	3/4"
74012	13/16"
74015	7/8"
74020	1-1/8"
74025	1-5/16"
74030	1-1/2"
74035	1-11/16"
74040	1-7/8"
74045	2-1/16"
74050	2-5/16"



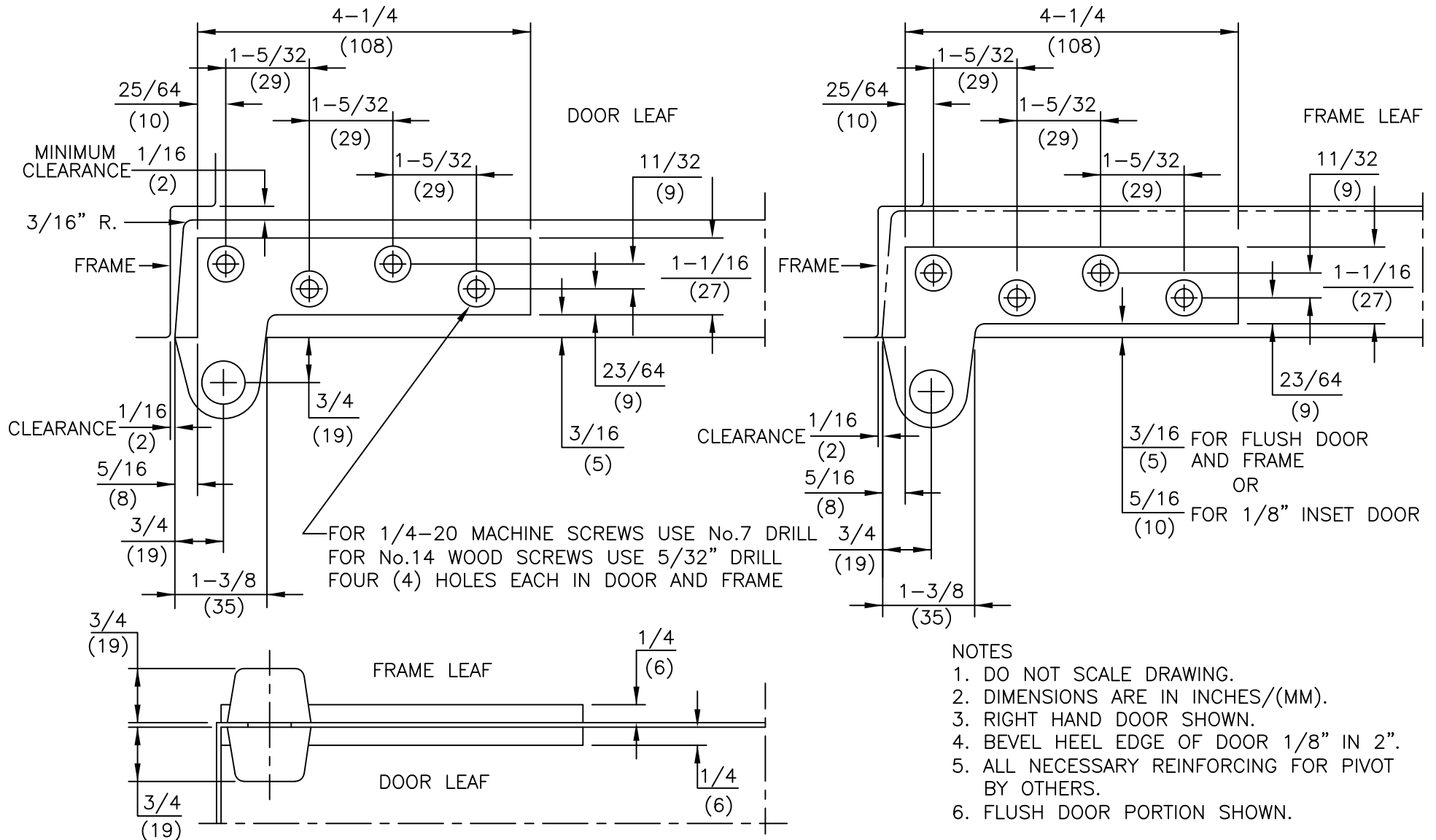
NOTES

1. DO NOT SCALE DRAWING.
2. DIMENSIONS ARE IN INCHES/(MM).
3. RIGHT HAND DOOR SHOWN.
4. BEVEL HEEL EDGE OF DOOR 1/8" IN 2".
5. ALL NECESSARY REINFORCEMENT FOR ARM BY OTHERS.

ITEM No. 75323
 3/4" OFFSET STANDARD BOTTOM ARM
 FOR 3 HR. RATED DOORS
 FOR USE WITH BTS 75/80 FLOOR CLOSERS



dormakaba USA, INC.
 800 523 8483



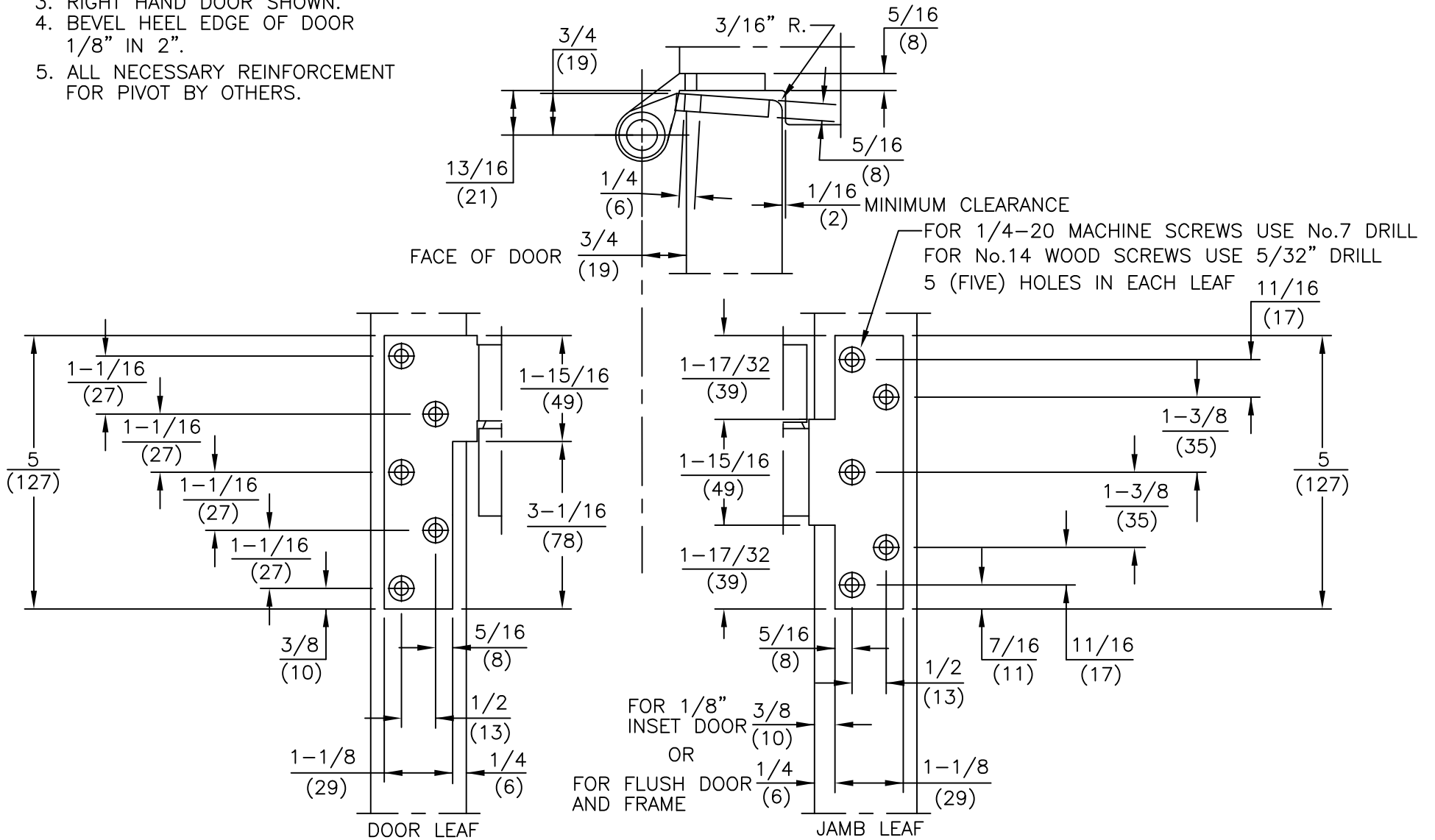
ITEM No. [75120, 75122, 75130, 75133, 75120A, 75122A, 75133A (DOOR FLUSH WITH FRAME) NON-HANDED], [75120 5/8, 75122 5/8, 75133 5/8, 75120A 5/8 75122A 5/8, 75133A 5/8 (DOOR INSET 1/8" FROM FRAME) HANDED] 3/4" OFFSET FULL MORTISE TOP PIVOT



dormakaba USA, INC.
 DORMA DRIVE
 REAMSTOWN,
 PA 17367
 800 523 8483

NOTES

1. DO NOT SCALE DRAWING.
2. DIMENSIONS ARE IN INCHES/(MM).
3. RIGHT HAND DOOR SHOWN.
4. BEVEL HEEL EDGE OF DOOR
 $1/8"$ IN $2"$.
5. ALL NECESSARY REINFORCEMENT
 FOR PIVOT BY OTHERS.



ITEM No. 75220, 75222, 75230, 75233, 75220A, 75222A, 75233A
 3/4" OFFSET FULL MORTISE
 INTERMEDIATE PIVOT (HANDED)

