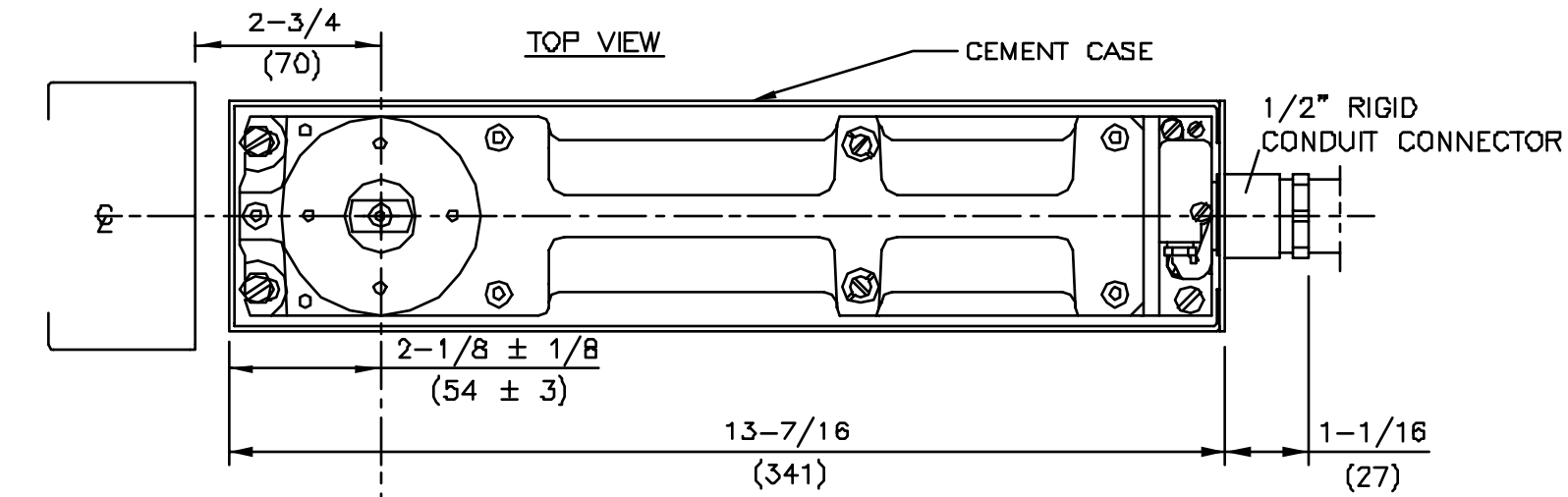
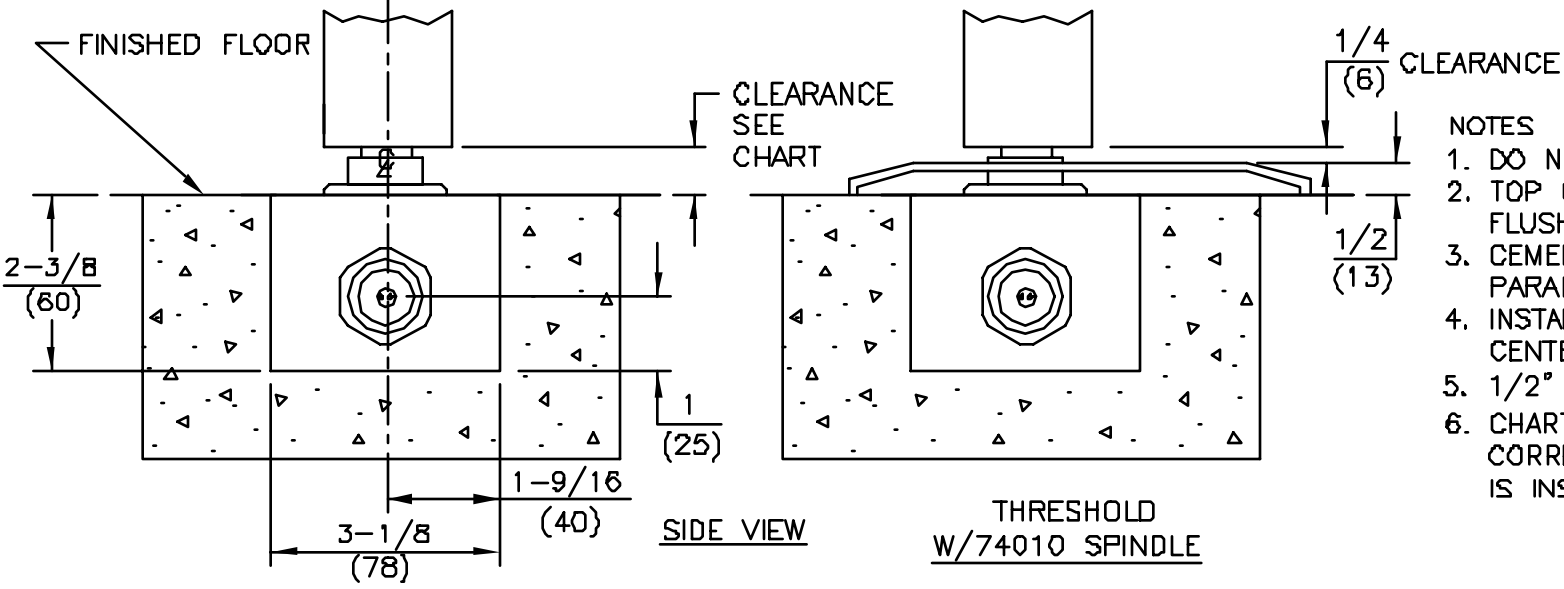


No.	REVISIONS	DATE



SPINDLE NO.	CLEARANCE
74003	5/16"
74005	1/2"
74007	5/8"
(STD.) 74010	3/4"
74012	13/16"
74015	7/8"
74020	1-1/8"
74025	1-5/16"
74030	1-1/2"
74035	1-11/16"
74040	1-7/8"
74045	2-1/16"
74050	2-5/16"



- NOTES
1. DO NOT SCALE DRAWING.
 2. TOP OF CEMENT CASE MUST BE FLUSH WITH FINISH FLOOR LINE.
 3. CEMENT CASE MUST BE LEVEL AND PARALLEL TO FRAME.
 4. INSTALL CEMENT CASE WITH CLOSER CENTERED IN CASE.
 5. 1/2" RIGID CONDUIT BY OTHERS.
 6. CHART VALID ONLY IF CORRESPONDING DOOR PORTION IS INSTALLED PER TEMPLATE.

FLOOR CLOSER MODELS: BTS 80EMB/G, BTS 80EMB/H
 CENTER HUNG 2-3/4" BACKSET
 CEMENT CASE PLACEMENT



DORMA Architectural Hardware
 REAMSTOWN, PENNSYLVANIA 17567
 TEMPLATE No. BTS-62