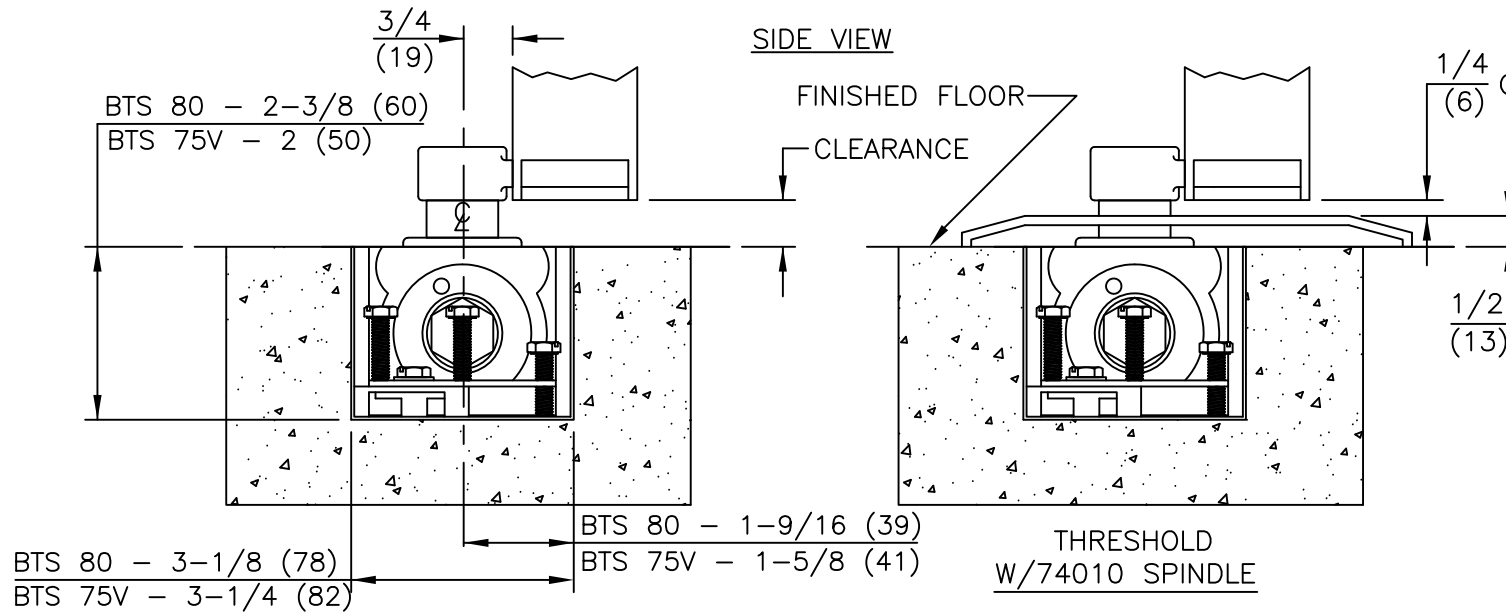


NOTES

1. DO NOT SCALE DRAWING.
2. DIMENSIONS ARE IN INCHES/(mm).
3. TOP OF CEMENT CASE MUST BE FLUSH WITH FINISH FLOOR LINE.
4. CEMENT CASE MUST BE LEVEL AND PARALLEL TO FRAME.
5. INSTALL CEMENT CASE WITH CLOSER CENTERED IN CASE.
6. 1/8" INSET INSTALLATION SHOWN.



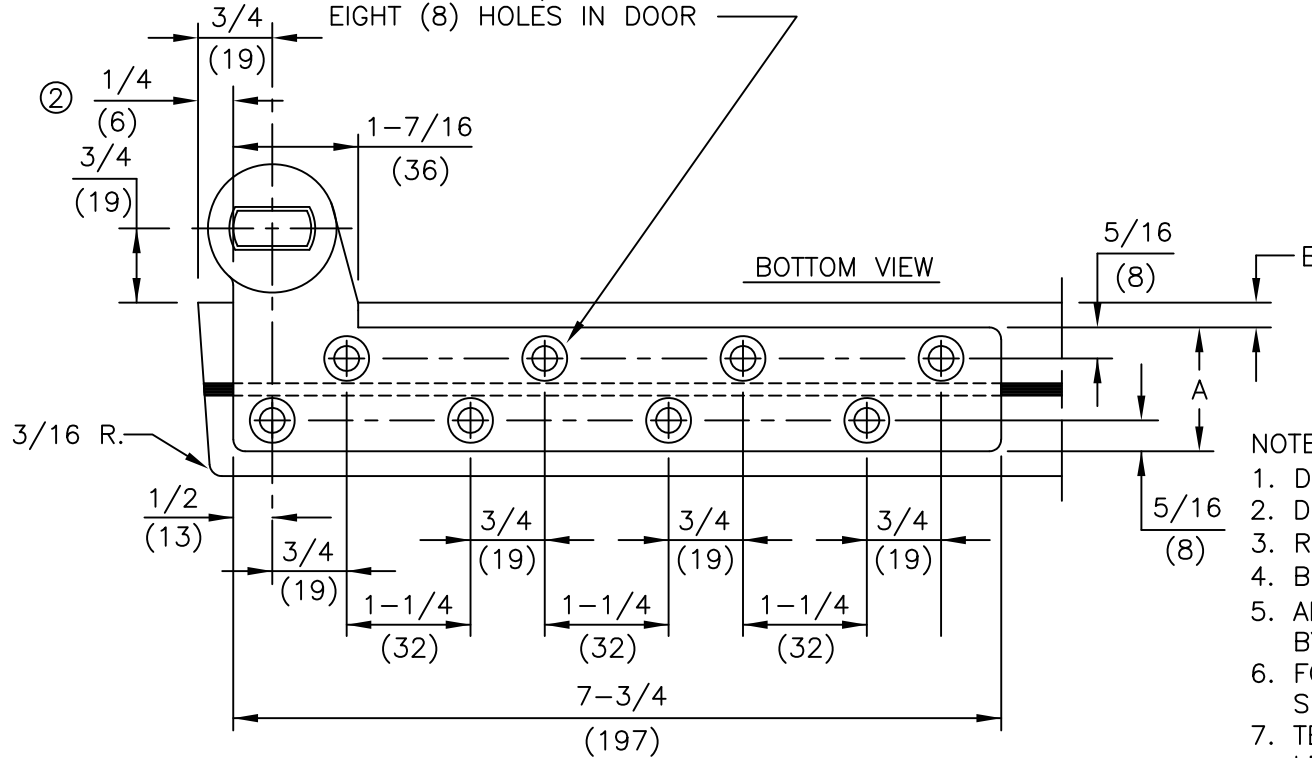
SPINDLE NO.	CLEARANCE
74003	5/16"
74005	1/2"
74007	5/8"
(STD.) 74010	3/4"
74012	13/16"
74015	7/8"
74020	1-1/8"
74025	1-5/16"
74030	1-1/2"
74035	1-11/16"
74040	1-7/8"
74045	2-1/16"
74050	2-5/16"

FLOOR CLOSER MODELS: BTS 75V/D,E,F & BTS 80/D,E,F,L
 3/4" OFFSET
 CEMENT CASE PLACEMENT



dormakaba USA, INC.
 800 523 8483

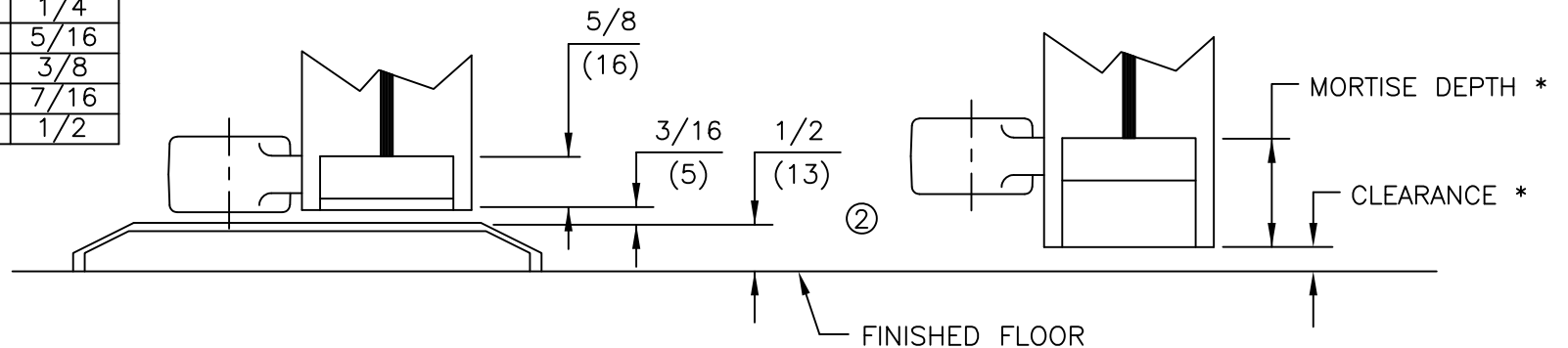
FOR 1/4-20 MACHINE SCREWS USE No.7 DRILL
 FOR No.14 WOOD SCREWS USE 5/32" DRILL
 EIGHT (8) HOLES IN DOOR



NOTES

1. DO NOT SCALE DRAWING.
2. DIMENSIONS ARE IN INCHES/(MM).
3. RIGHT HAND DOOR SHOWN.
4. BEVEL HEEL EDGE OF DOOR 1/8" IN 2".
5. ALL NECESSARY REINFORCEMENT FOR ARM BY OTHERS.
6. FOR DOOR THICKNESS NOT LISTED USE NEXT SIZE NARROWER ARM.
7. TEMPLATE BASED ON THE ASSUMPTION THAT LEAD (BY OTHERS) IS PLACED IN CENTER OF DOOR.

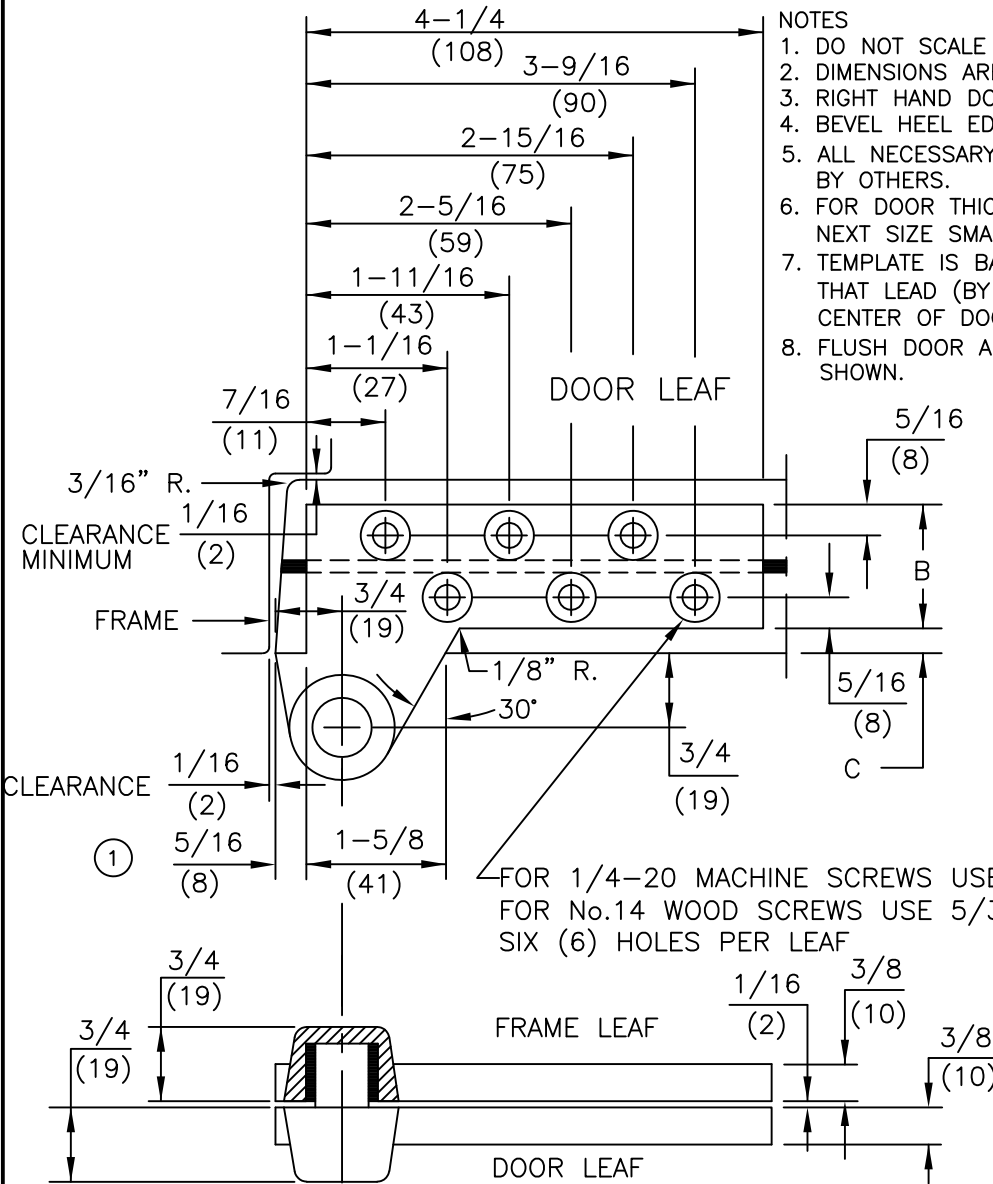
DOOR THICKNESS	DIM "A"	DIM "B"
1-3/4"	1-1/4	1/4
2"	1-3/8	5/16
2-1/4"	1-1/2	3/8
2-1/2"	1-5/8	7/16
3"	2	1/2



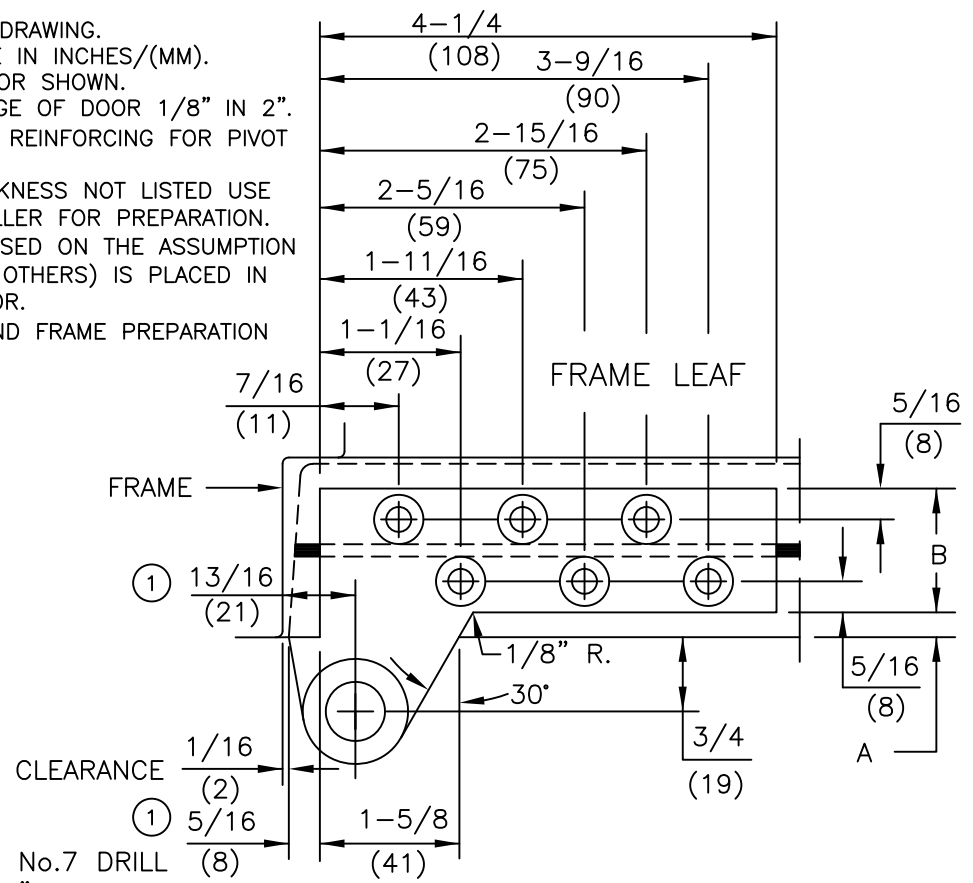
ITEM No. 75343, 75343-2, 75343-2 1/4, 75343-2 1/2, 75343-3
 3/4" OFFSET HEAVY-DUTY BOTTOM ARM
 FOR LEAD LINED OR EXTRA HEAVY DOORS



dormakaba USA, INC.
 800 523 8483



- NOTES
1. DO NOT SCALE DRAWING.
 2. DIMENSIONS ARE IN INCHES/(MM).
 3. RIGHT HAND DOOR SHOWN.
 4. BEVEL HEEL EDGE OF DOOR 1/8" IN 2".
 5. ALL NECESSARY REINFORCING FOR PIVOT BY OTHERS.
 6. FOR DOOR THICKNESS NOT LISTED USE NEXT SIZE SMALLER FOR PREPARATION.
 7. TEMPLATE IS BASED ON THE ASSUMPTION THAT LEAD (BY OTHERS) IS PLACED IN CENTER OF DOOR.
 8. FLUSH DOOR AND FRAME PREPARATION SHOWN.



FOR FLUSH DOOR AND FRAME			
DOOR THICKNESS	DIM "A"	DIM "B"	DIM "C"
1-3/4"	1/4	1-1/4	1/4
2"	5/16	1-3/8	5/16
2-1/4"	3/8	1-1/2	3/8
2-1/2"	7/16	1-5/8	7/16
3"	1/2	2	1/2

FOR 1/8" INSET DOOR			
DOOR THICKNESS	DIM "A"	DIM "B"	DIM "C"
1-3/4"	3/8	1-1/4	1/4
2"	7/16	1-3/8	5/16
2-1/4"	1/2	1-1/2	3/8
2-1/2"	9/16	1-5/8	7/16
3"	5/8	2	1/2

ALL SERIES: [75140, 75142, 75143 (DOOR FLUSH WITH FRAME) NON-HANDED],
 [75140 5/8, 75142 5/8, 75143 5/8 (DOOR INSET 1/8" FROM FRAME) HANDED]
 3/4" OFFSET FULL MORTISE TOP PIVOT
 FOR LEAD LINED OR EXTRA HEAVY DOORS

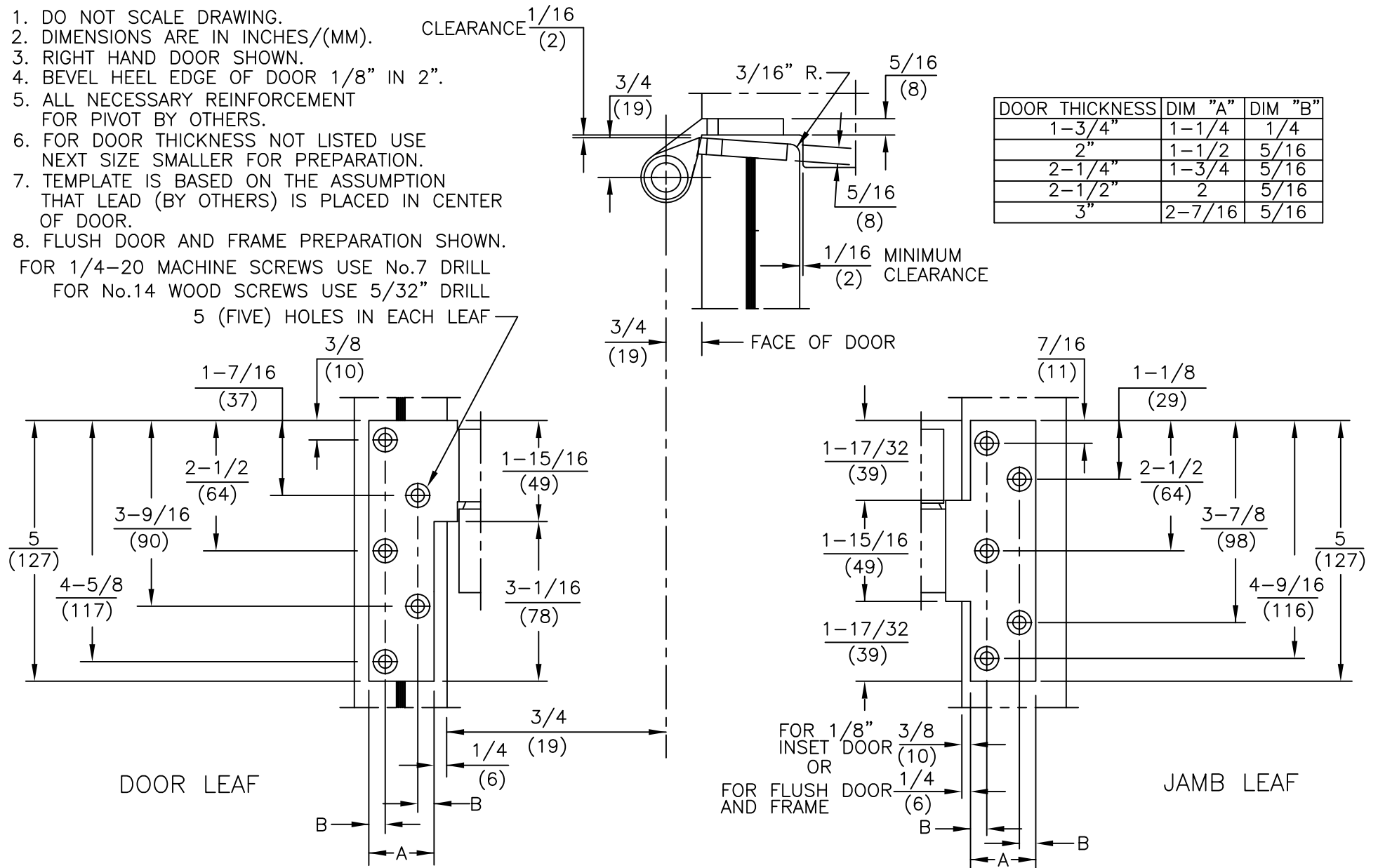


dormakaba USA, INC.
 800 523 8483

NOTES

1. DO NOT SCALE DRAWING.
2. DIMENSIONS ARE IN INCHES/(MM).
3. RIGHT HAND DOOR SHOWN.
4. BEVEL HEEL EDGE OF DOOR 1/8" IN 2".
5. ALL NECESSARY REINFORCEMENT FOR PIVOT BY OTHERS.
6. FOR DOOR THICKNESS NOT LISTED USE NEXT SIZE SMALLER FOR PREPARATION.
7. TEMPLATE IS BASED ON THE ASSUMPTION THAT LEAD (BY OTHERS) IS PLACED IN CENTER OF DOOR.
8. FLUSH DOOR AND FRAME PREPARATION SHOWN.
 FOR 1/4-20 MACHINE SCREWS USE No.7 DRILL
 FOR No.14 WOOD SCREWS USE 5/32" DRILL

5 (FIVE) HOLES IN EACH LEAF



ALL SERIES: 75240, 75242, 75243
 3/4" OFFSET FULL MORTISE
 INTERMEDIATE PIVOT (HANDED)
 FOR LEAD LINED OR EXTRA HEAVY DOORS



dormakaba USA, INC.
 800 523 8483