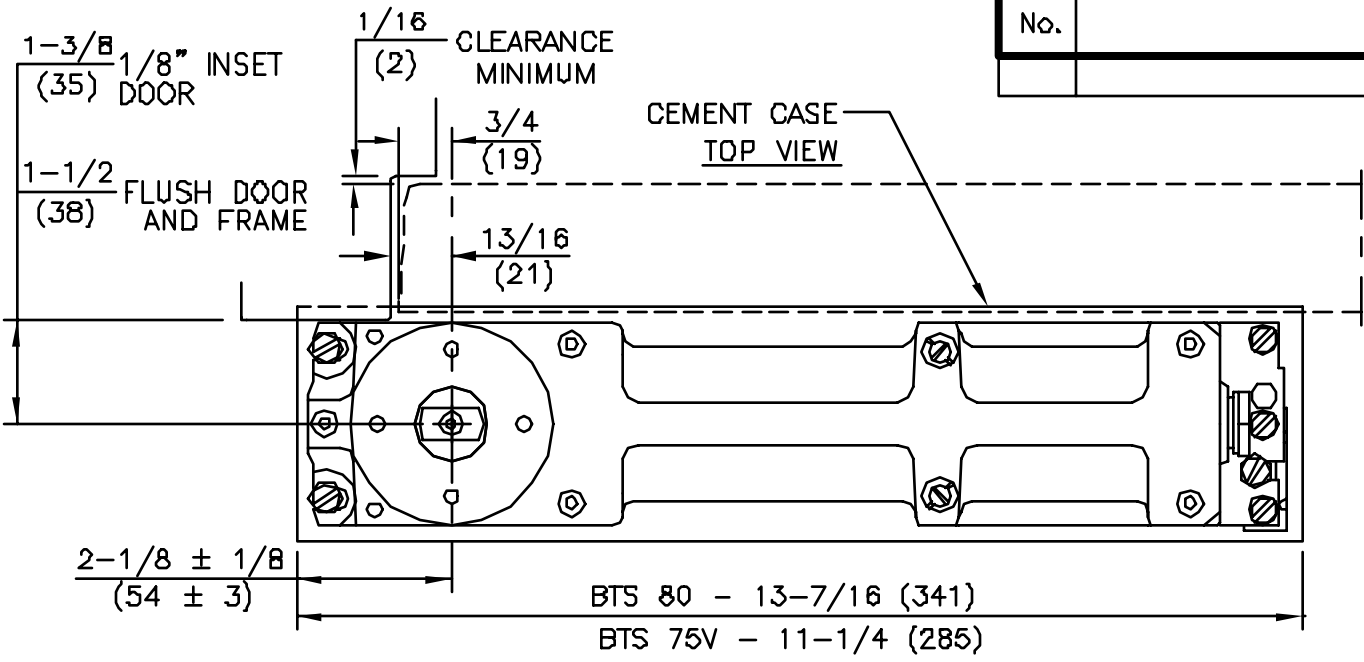
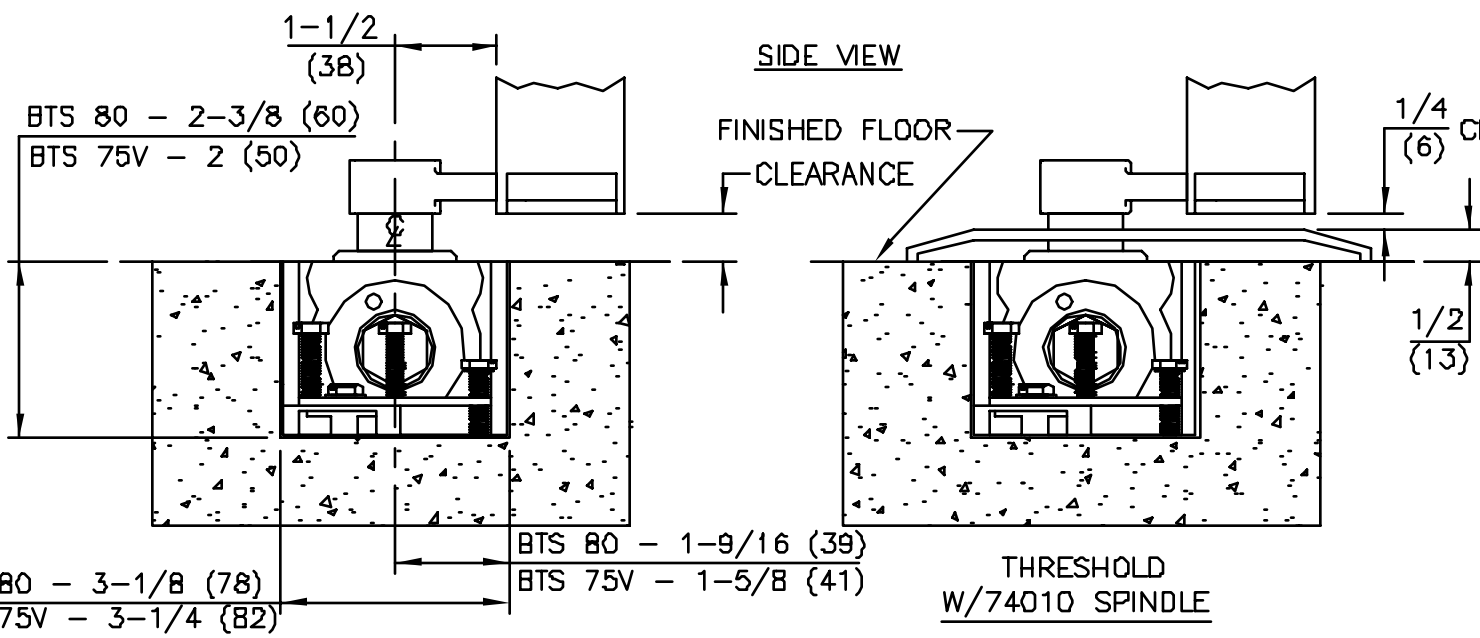


No.	REVISIONS	DATE



- NOTES**
- DO NOT SCALE DRAWING.
  - DIMENSIONS ARE IN INCHES/(MM).
  - TOP OF CEMENT CASE MUST BE FLUSH WITH FINISH FLOOR LINE.
  - CEMENT CASE MUST BE LEVEL AND PARALLEL TO FRAME.
  - INSTALL CEMENT CASE WITH CLOSER CENTERED IN CASE.
  - 1/8" INSET INSTALLATION SHOWN.



SPINDLE NO.	CLEARANCE
74003	5/16"
74005	1/2"
74007	5/8"
(STD.)74010	3/4"
74012	13/16"
74015	7/8"
74020	1-1/8"
74025	1-5/16"
74030	1-1/2"
74035	1-11/16"
74040	1-7/8"
74045	2-1/16"
74050	2-5/16"

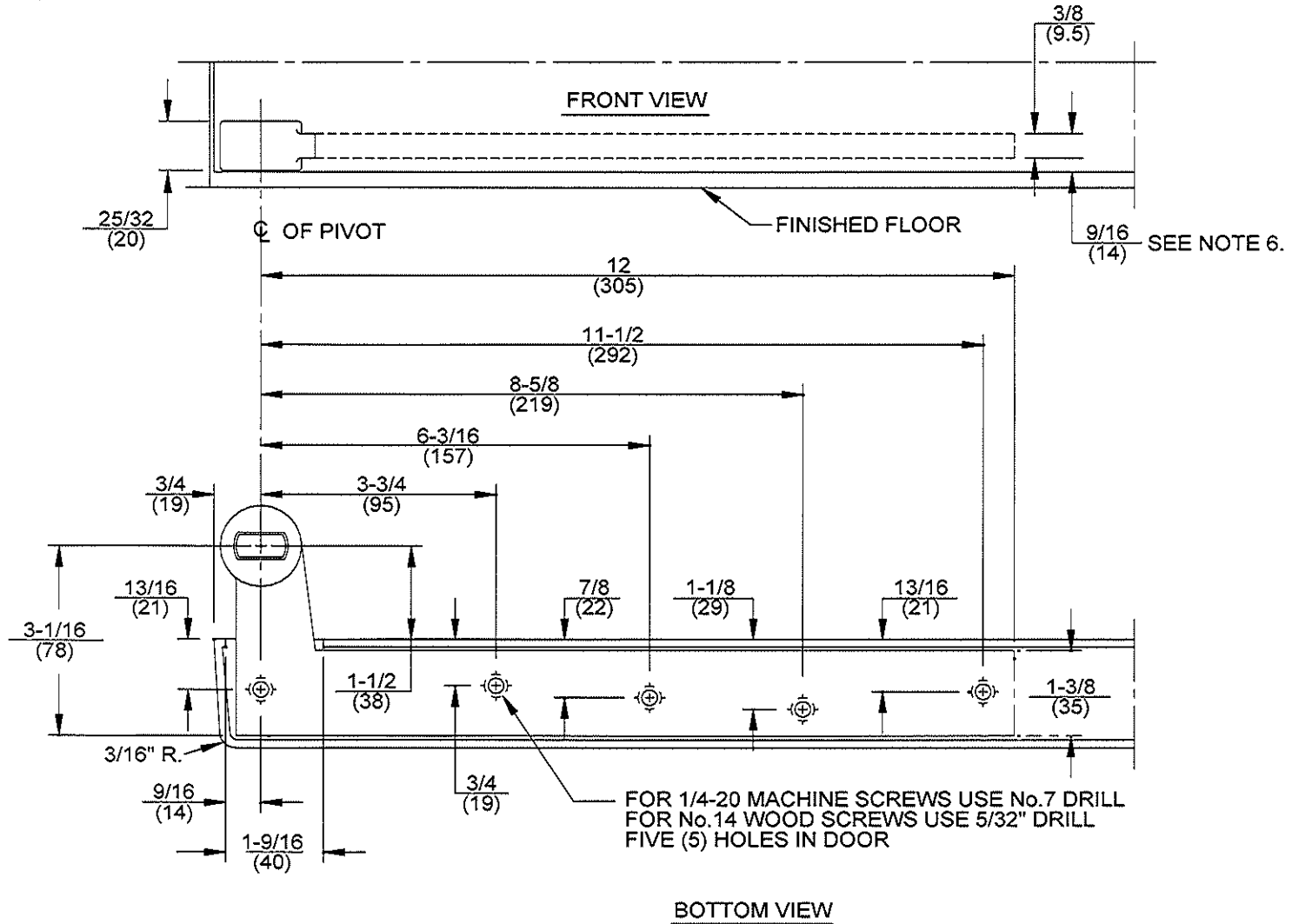
FLOOR CLOSER MODELS: BTS 75V/C & BTS 80/C  
 1-1/2" OFFSET  
 CEMENT CASE PLACEMENT



DORMA Architectural Hardware  
 REAMSTOWN, PENNSYLVANIA 17567  
 TEMPLATE No. BTS-79

NOTES

1. DO NOT SCALE DRAWING.
2. DIMENSIONS ARE IN INCHES/(MM).
3. RIGHT HAND DOOR SHOWN.
4. BEVEL HEEL EDGE OF DOOR 1/8" IN 2".
5. ALL NECESSARY REINFORCING FOR PIVOT BY OTHERS.
6. STANDARD MORTISE DEPTH.



ITEM No. 15323  
 1-1/2" OFFSET STANDARD BOTTOM ARM (HANDED)

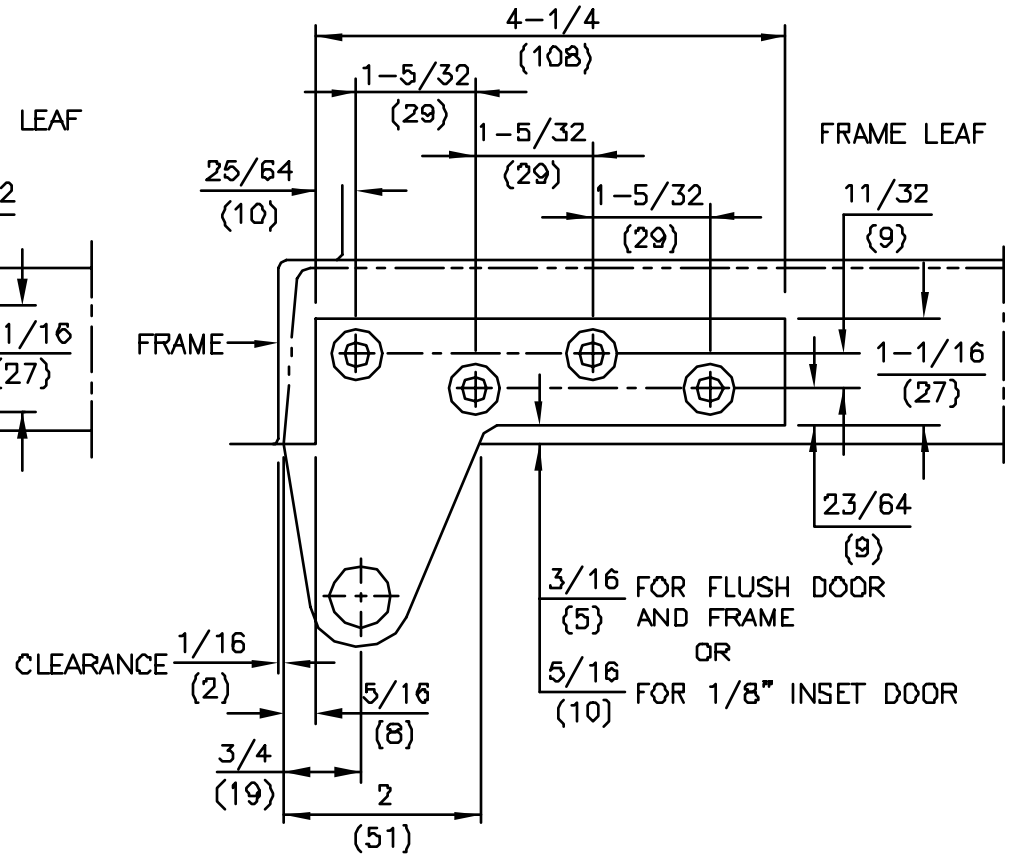
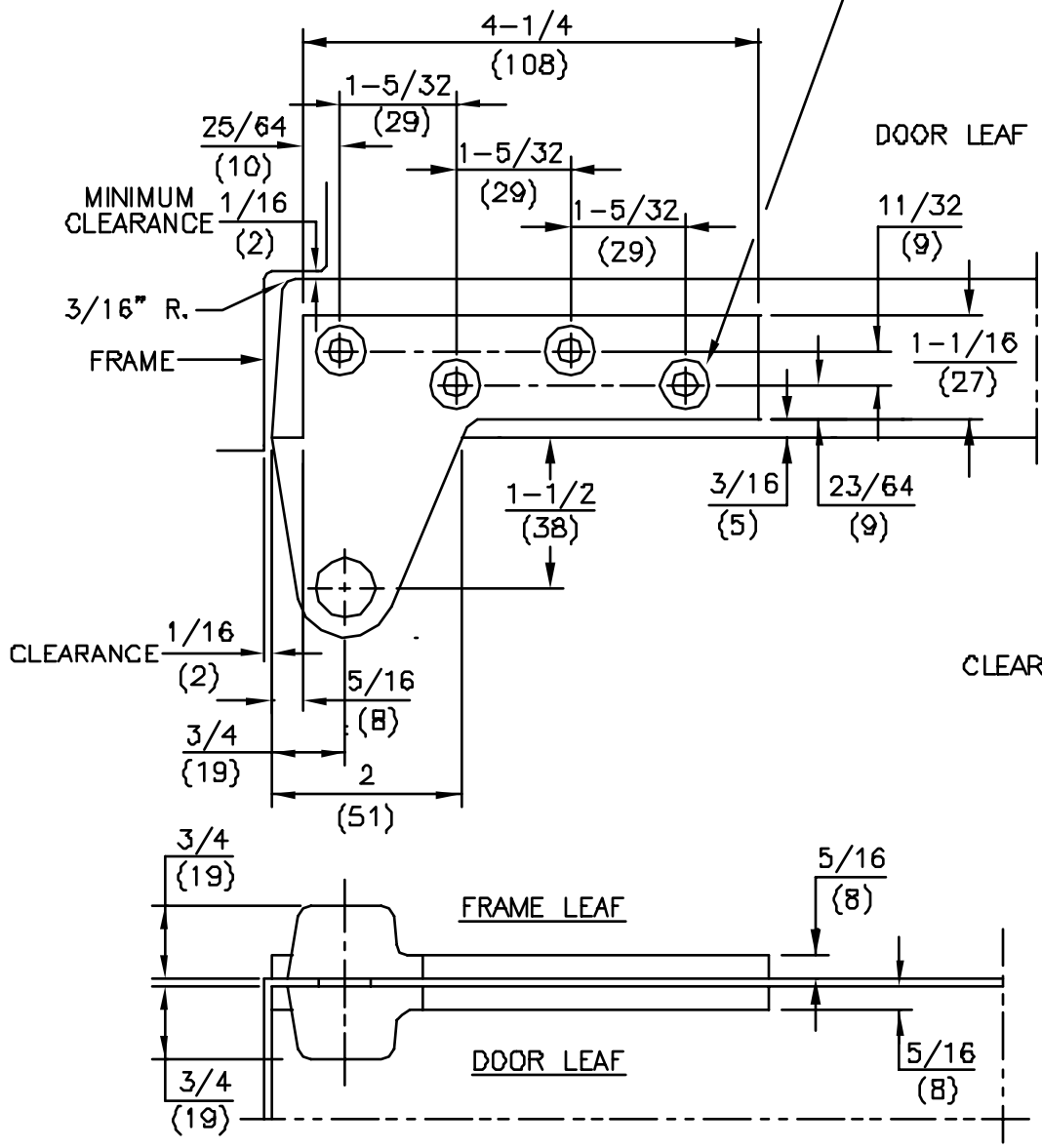


DORMA Architectural Hardware  
 Reamstown, PA 17567

TEMPLATE No. 15200

FOR 1/4-20 MACHINE SCREWS USE No.7 DRILL  
 FOR No.14 WOOD SCREWS USE 5/32" DRILL  
 FOUR (4) HOLES PER LEAF

No.	REVISIONS	DATE



3/16 FOR FLUSH DOOR  
 {5} AND FRAME  
 OR  
 5/16 FOR 1/8" INSET DOOR  
 {10}

- NOTES
1. DO NOT SCALE DRAWING.
  2. DIMENSIONS ARE IN INCHES/(MM).
  3. RIGHT HAND DOOR SHOWN.
  4. BEVEL HEEL EDGE OF DOOR 1/8" IN 2".
  5. ALL NECESSARY REINFORCING FOR PIVOT BY OTHERS.

ITEM No. [15120, 15122, 15133 (DOOR FLUSH WITH FRAME) NON-HANDED],  
 [15120 5/8, 15122 5/8, 15133 5/8 (DOOR INSET 1/8" FROM FRAME) HANDED]  
 1-1/2" OFFSET FULL MORTISE TOP PIVOT

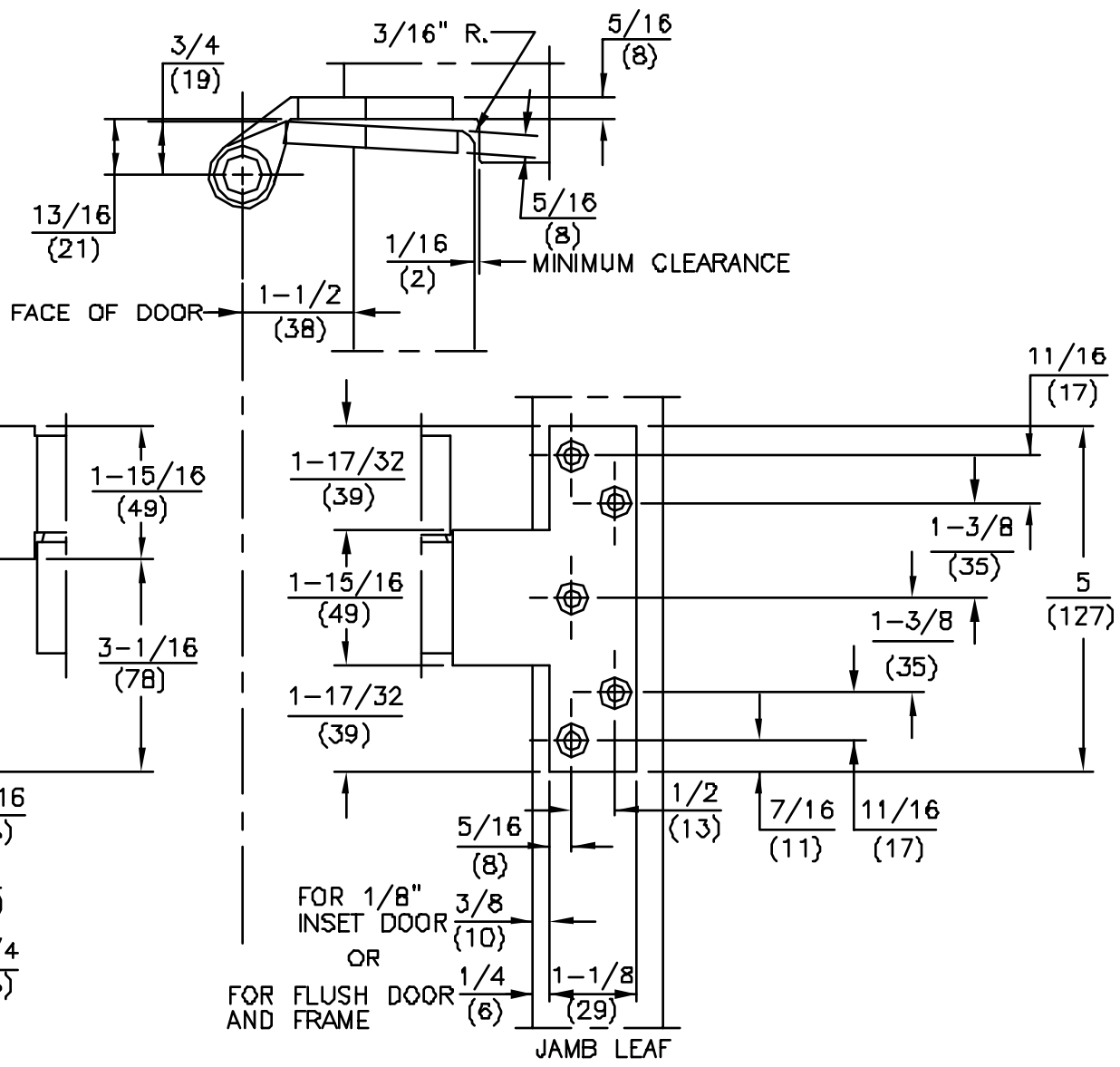


DORMA Architectural Hardware  
 REAMSTOWN, PENNSYLVANIA 17567  
 TEMPLATE No. BTS-72

No.	REVISIONS	DATE

- NOTES
1. DO NOT SCALE DRAWING.
  2. DIMENSIONS ARE IN INCHES/(MM).
  3. RIGHT HAND DOOR SHOWN.
  4. BEVEL HEEL EDGE OF DOOR 1/8" IN 2".
  5. ALL NECESSARY REINFORCEMENT FOR PIVOT BY OTHERS.

FOR 1/4-20 MACHINE SCREWS USE No.7 DRILL  
 FOR No.14 WOOD SCREWS USE 5/32" DRILL  
 FIVE {5} HOLES IN EACH LEAF



ITEM No. 15220, 15222, 15233  
 1-1/2" OFFSET FULL MORTISE  
 INTERMEDIATE PIVOT (HANDED)



DORMA Architectural Hardware  
 REAMSTOWN, PENNSYLVANIA 17567  
 TEMPLATE No. BTS-73