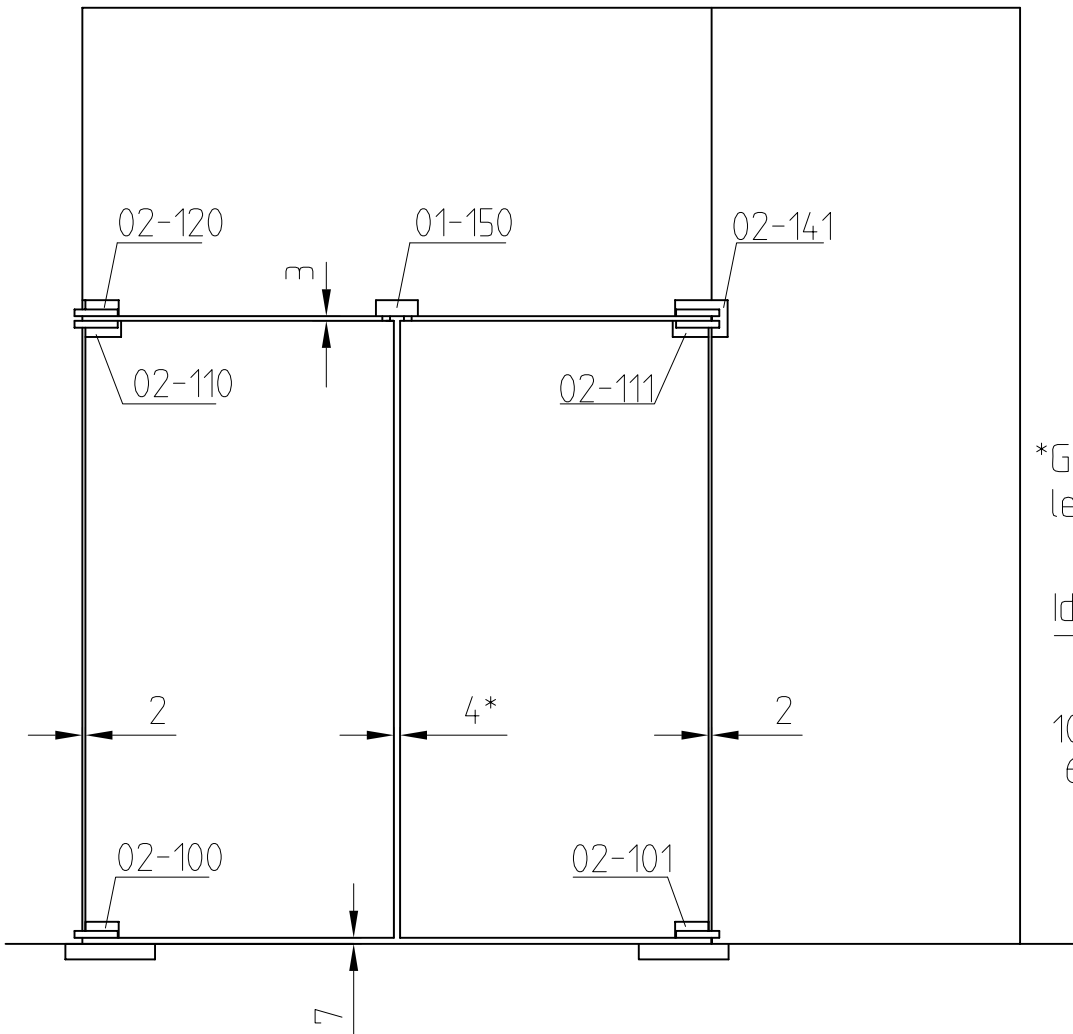


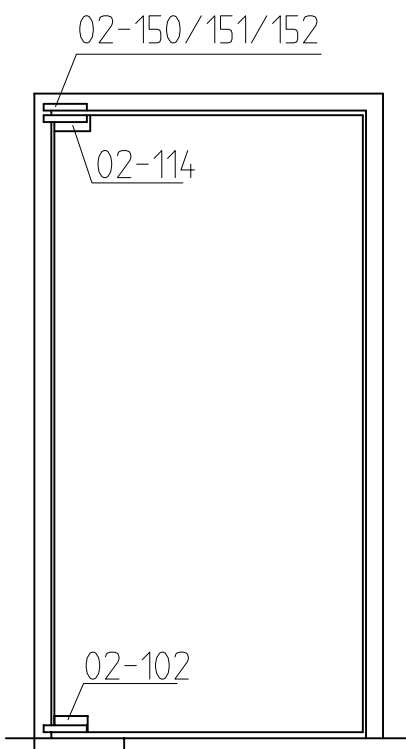
# Technical detail for patch fittings for offset hung doors ( Basic fittings for 10 mm glass )



\*Gap required between leaves on pairs of doors

### Individual leaf

- over 1000 mm = 4 mm
- 1000 - 600 mm = 6 mm
- 600 - 400 mm = 8 mm



Tightening torque for fixing screws  
screws M 8: 20 Nm (5 mm allen key size)