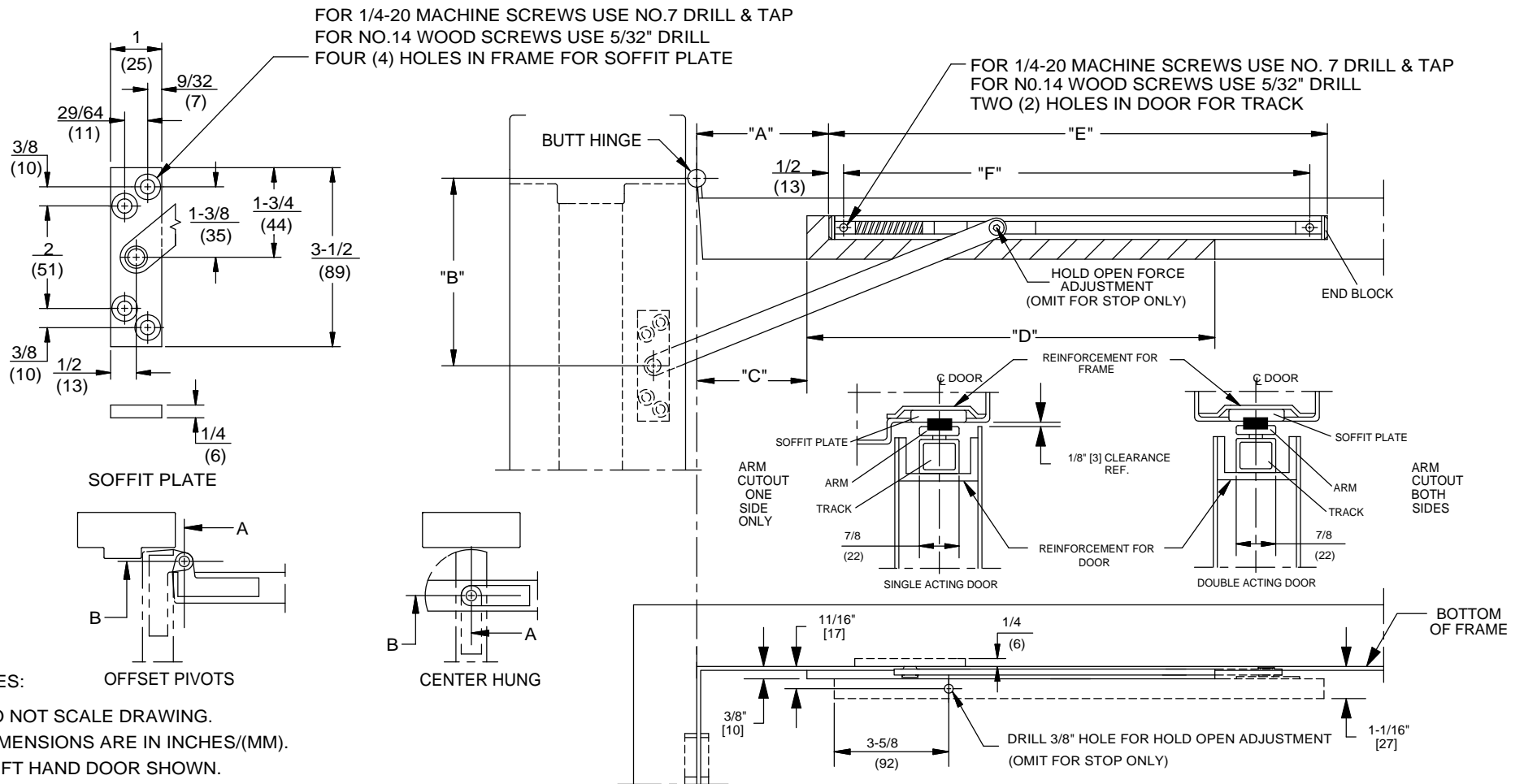


INSTALLATION INSTRUCTIONS:

1. Determine unit type supplied (S) STOP ONLY or (H) STOP & HOLD.
2. Determine degree of hold-open or dead stop required and select the "A", "B", "C", "D", "E" and "F" dimensions from the opposite side of this page.
3. Prepare door and frame according to the template found on this page.
4. Insert end blocks into each end of track. Install track and arm assembly to door, making sure spring faces hinges.
5. Attach soffit plate to frame.

ADDITIONAL INSTRUCTIONS (HOLD-OPEN UNITS):

6. Adjust hold-open to on or off position. One direction on-opposite direction off.
7. Adjust the holding force by inserting a 5/64" hex key into the slide shoe bolt. Turn right to increase and left to decrease holding force.
8. Open door until slide shoe engages with hold-open.
9. To release the door, pull until the slide shoe disengages.



STOP AND HOLDER SERIES: 711H - 713H, 711S - 713S
STANDARD DUTY CONCEALED STOP/HOLDER
CENTER HUNG, 3/4" OFFSET AND 4-1/2" X 4-1/2" HINGES



DORMA Architectural Hardware
Reamstown, PA 17567

**710S, 710H SERIES
STANDARD DUTY CONCEALED OVERHEAD STOP AND HOLDER**



UNIT	DEGREE OF OPENING	4-1/2" HINGES OR 3/4" PIVOTS				CENTER HUNG				DIM "E"	DIM "F"		
		DOOR RANGE	DIM "A"	DIM "B"	DIM "C"	DIM "D"	DOOR RANGE	DIM "A"	DIM "B"			DIM "C"	DIM "D"
711 S	85° STOP ONLY	21 to 27	4	4-1/2	2-3/4	11-3/4	23 to 29	3-5/8	6	6	11-1/2	15-7/8	14-3/4
	90° STOP ONLY		3-3/4	4-1/2	2-3/4	11-3/4		-	-	-	-		
	95° STOP ONLY		3-3/8	4-1/2	2-3/4	11-3/4		-	-	-	-		
	100° STOP ONLY		3-1/16	4-1/2	2-3/4	11-3/4		-	-	-	-		
	105° STOP ONLY		2-13/16	4-1/2	2-3/4	11-3/4		-	-	-	-		
	110° STOP ONLY		2-1/2	4-1/2	2-3/4	11-3/4		-	-	-	-		
711 H	85° STOP & HOLD	21 to 27	3-1/4	4-1/2	2-3/4	11-3/4	23 to 29	-	-	-	-	15-7/8	14-3/4
	90° STOP & HOLD		2-15/16	4-1/2	2-3/4	11-3/4		-	-	-	-		
	95° STOP & HOLD		2-9/16	4-1/2	2-3/4	11-3/4		-	-	-	-		
	100° STOP & HOLD		2-1/4	4-1/2	2-3/4	11-3/4		-	-	-	-		
	105° STOP & HOLD		2	4-1/2	2-3/4	11-3/4		-	-	-	-		
	110° STOP & HOLD		1-11/16	4-1/2	2-3/4	11-3/4		-	-	-	-		
712 S	85° STOP ONLY	27-1/8 to 36	6-7/8	6	4-1/4	14-1/2	29-1/8 to 37	7-1/4	7	6	13-1/2	18-1/4	17-1/4
	90° STOP ONLY		6-1/2	6	4-1/4	14-1/2		6-5/8	7	6	13-1/2		
	95° STOP ONLY		6-1/8	6	4-1/4	14-1/2		6	7	6	13-1/2		
	100° STOP ONLY		5-3/4	6	4-1/4	14-1/2		3-1/2	7	6	13-1/2		
	105° STOP ONLY		5-7/16	6	4-1/4	14-1/2		4-15/16	7	6	13-1/2		
	110° STOP ONLY		5-1/8	6	4-1/4	14-1/2		4-1/2	7	6	13-1/2		
712 H	85° STOP & HOLD	27-1/8 to 36	6-1/16	6	4-1/4	14-1/2	29-1/8 to 37	6-1/2	7	6	13-1/2	18-1/4	17-1/4
	90° STOP & HOLD		5-9/16	6	4-1/4	14-1/2		6-1/16	7	6	13-1/2		
	95° STOP & HOLD		5-1/8	6	4-1/4	14-1/2		5-5/16	7	6	13-1/2		
	100° STOP & HOLD		4-11/16	6	4-1/4	14-1/2		4-3/4	7	6	13-1/2		
	105° STOP & HOLD		4-5/16	6	4-1/4	14-1/2		4-1/4	7	6	13-1/2		
	110° STOP & HOLD		3-15/16	6	4-1/4	14-1/2		-	-	-	-		
713 S	85° STOP ONLY	36-1/8 to 54	10-15/16	8-1/2	7-1/8	18-3/8	37-1/8 to 54	10-3/16	10	9	21	21-7/8	20-3/4
	90° STOP ONLY		9-5/8	8-1/2	7-1/8	18-3/8		9-1/2	10	9	21		
	95° STOP ONLY		8-15/16	8-1/2	7-1/8	18-3/8		8-5/16	10	9	21		
	100° STOP ONLY		8-5/16	8-1/2	6-1/8	18-1/8		9-5/16	8	7	17-1/2		
	105° STOP ONLY		7-13/16	8-1/2	6-1/8	18-1/8		8-3/4	8	7	17-1/2		
	110° STOP ONLY		7-1/4	8-1/2	6-1/8	18-1/8		8-3/16	8	7	17-1/2		
713 H	85° STOP & HOLD	36-1/8 to 54	10	9-1/8	7-1/8	18-3/8	37-1/8 to 54	9-5/8	10	9	21	21-7/8	20-3/4
	90° STOP & HOLD		9-7/16	9-1/8	7-1/8	18-3/8		8-3/4	10	9	21		
	95° STOP & HOLD		8-7/8	9-1/8	7-1/8	18-3/8		7-7/8	10	9	21		
	100° STOP & HOLD		8-3/8	8-1/8	6-1/8	18-1/8		8-5/8	8	7	17-1/2		
	105° STOP & HOLD		7-13/16	8-1/8	6-1/8	18-1/8		8-1/16	8	7	17-1/2		
	110° STOP & HOLD		7-7/16	8-1/8	6-1/8	18-1/8		7-1/2	8	7	17-1/2		

- a. All 4-1/2" WIDE HINGE and 3/4" OFFSET PIVOT dimensions are for 1-3/4" thick doors, CENTER HUNG are for 1-3/4" to 2-1/4" thick doors. For additional door thicknesses consult DORMA's Technical Services department.
- b. STOP is the maximum degree to which the door will open when the shock spring is fully compressed.
- c. STOP & HOLD is the degree the door is held open. The shock absorber spring compresses while the door moves to the dead stop position which is several degrees greater.
- d. All values are in inches.



DORMA Architectural Hardware
Reamstown, PA 17567