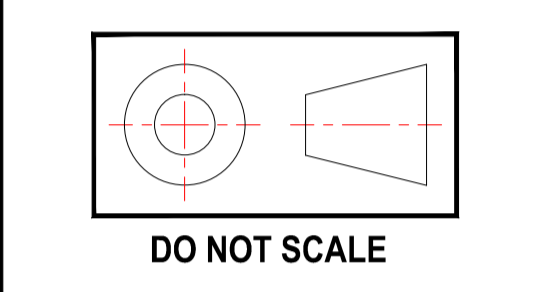


PART No.

PROJECT:
DESIGNED: L.R.HAJDU
CHECKED:
APPROVED:
DRAWN: L.R.HAJDU
SCALE: 1:1
DATE: 19-05-2014

WITHIN 0.01 ANY DIAMETER TO CENTER LINE
WITHIN 0.01 ANY FACE TO CENTER LINE
ALL DIMENSIONS IN MILLIMETRES UNLESS OTHERWISE SPECIFIED
TOLERANCES: ±0.1 UNLESS OTHERWISE SPECIFIED
MACHINING SURFACE FINISH: 3.2 UNLESS OTHERWISE SPECIFIED
HEAT TREATMENT: NIL

REMOVE ALL BURRS, SHARP CORNERS AND PROCESSING RESIDUE DRAWN TO AS1100 DIMENSIONS IN MILLIMETRES



DORMA
46 ABBOTT ROAD - HALLAM
VICTORIA 3803
PO BOX 1036
NARRE WARREN 3805
AUSTRALIA
FAX: (03) 9758 3767
PHONE: (03) 9796 4111
WEB SITE: www.dorma.com.au
DORMA Automatics Pty. Ltd.

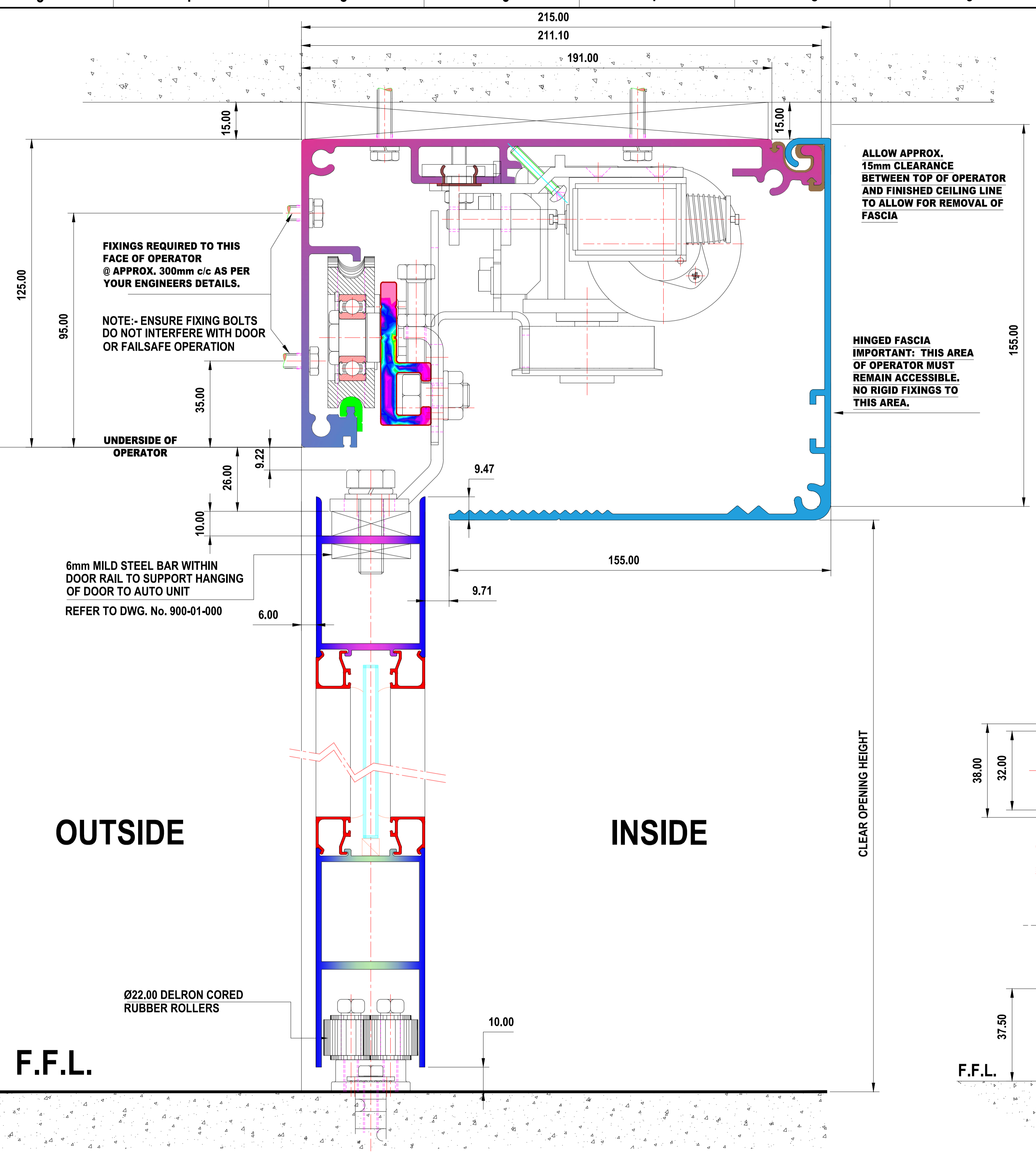
DORMA Automatics Pty. Ltd.
INFORMATION SHOWN ON THIS DRAWING MAY ORIGINATE FROM OUTSIDE THE COMPANY. NO MANUFACTURE OR RE-SOURCING SHOULD BE MADE WITHOUT PRIOR CONSULTATION WITH THE MANAGER, ENGINEERING SERVICES.

THIS DOCUMENT CONTAINS CONFIDENTIAL INFORMATION WHICH MUST NOT BE COPIED WHOLLY OR IN PART, NOR DISCLOSED TO ANY PERSON WITHOUT OUR PRIOR AUTHORITY IN WRITING.
© DORMA Automatics Pty. Ltd. 2002.

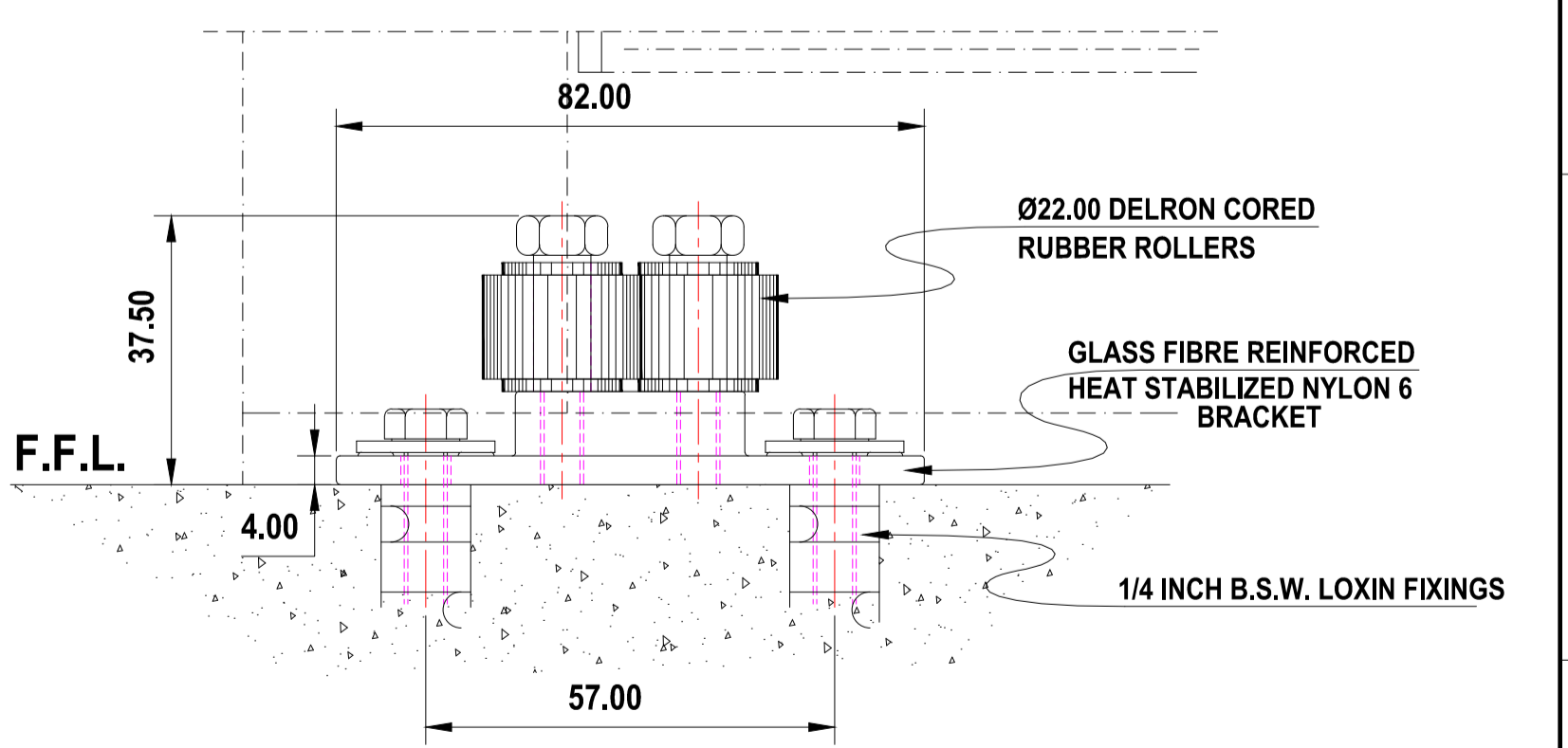
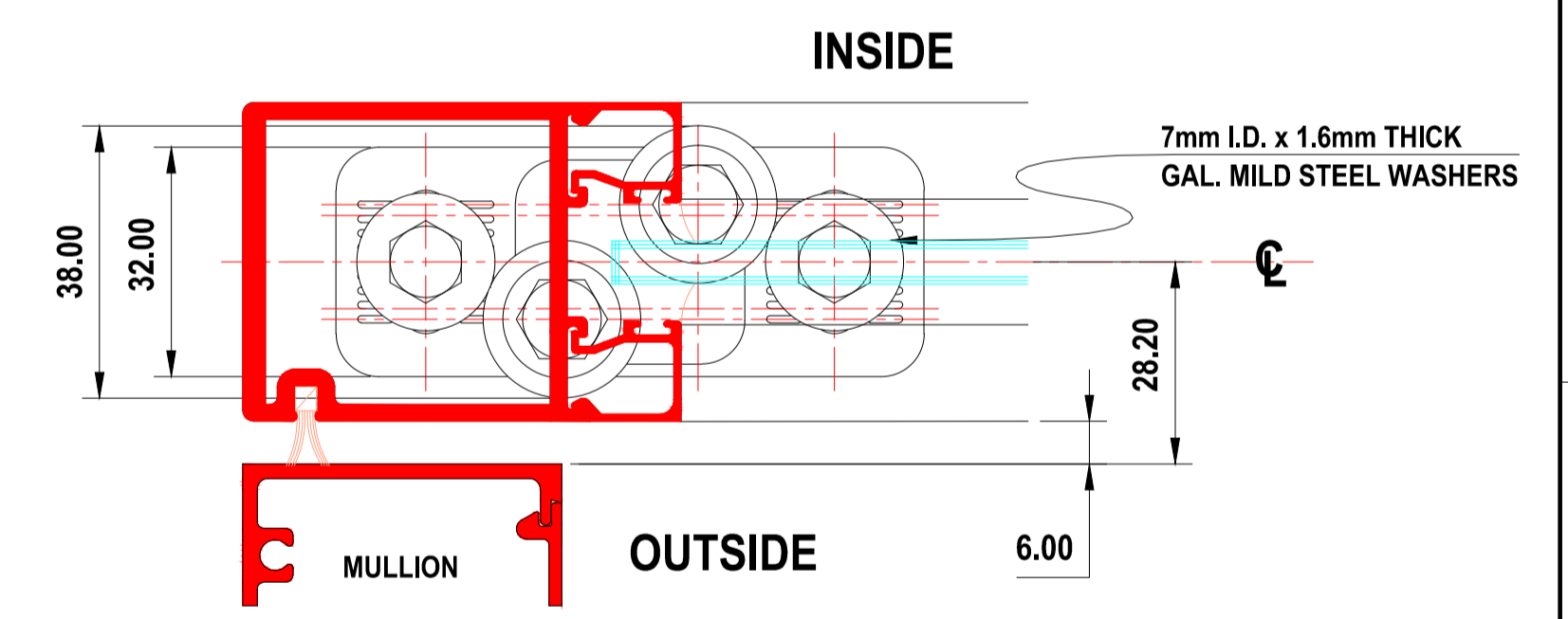
DISCLAIMER:-
ALL ILLUSTRATIONS AND SPECIFICATIONS PRESENTED IN THIS DRAWING ARE A GUIDE ONLY FOR THE INSTALLATION OF DORMA AUTOMATIC DOOR OPERATORS. THESE ARE BASED ON THE LATEST PRODUCT INFORMATION AVAILABLE AT THE TIME. FOR ALL CASES, CALCULATIONS FOR THE STRUCTURAL PERFORMANCE AND SITE CONDITIONS MUST BE COMPLETED BY A QUALIFIED STRUCTURAL ENGINEER.

GENERAL NOTES:

MOUNTING HEIGHT = UNDERSIDE OF OPERATOR TO FINISHED FLOOR LEVEL



**NOTE:-
MINIMUM DOOR LEAF WIDTH 600mm**



MATERIAL:	1	TITLE:	DORMA HD200 AUTOMATIC DOOR OPERATOR FRAMED DOORS - SA1	
FINISH:	1	DRG No:	106-01-000	REV.