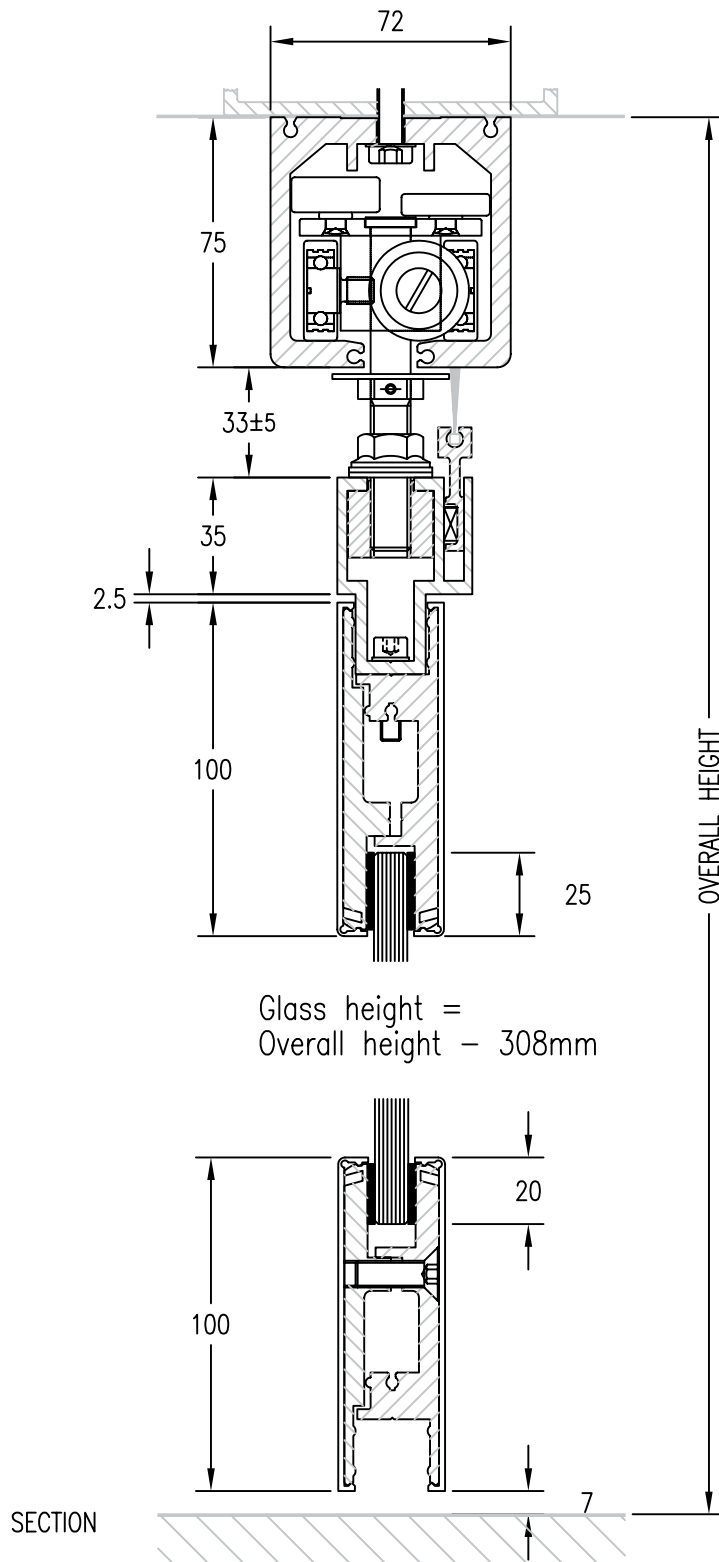


OPERABLE WALLS

HSW-G

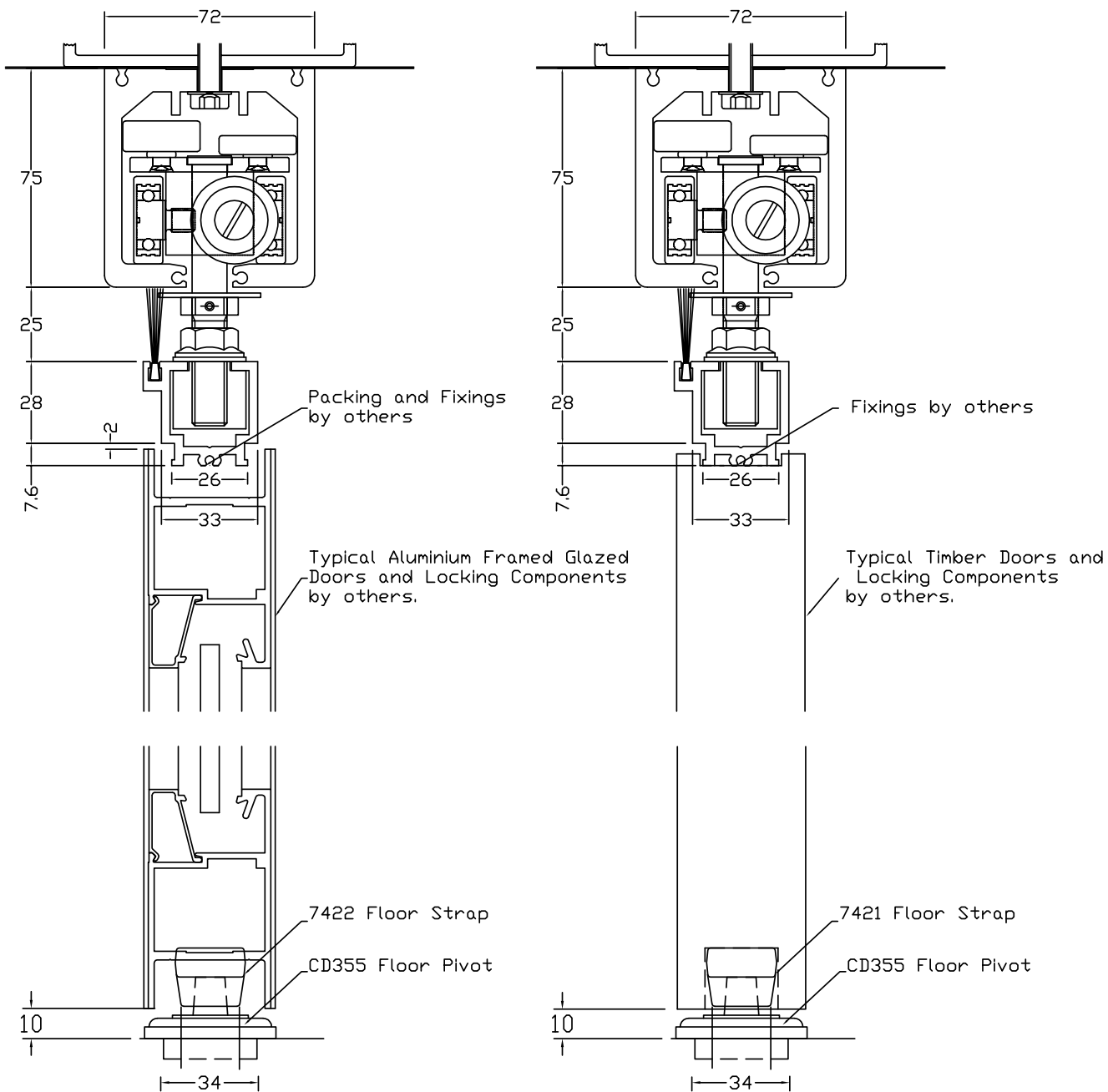


HSW-G SPECIFICATION: DORMA HSW-G Frameless Glass Stacking Operable Wall System. Max Panel Weight 150kg's
Refer to dorma.com.au for full technical planning manual.

FINISHES
ALUMINIUM: MILL, SAA
STAINLESS: SSS, PSS

OPERABLE WALLS

HSW-R



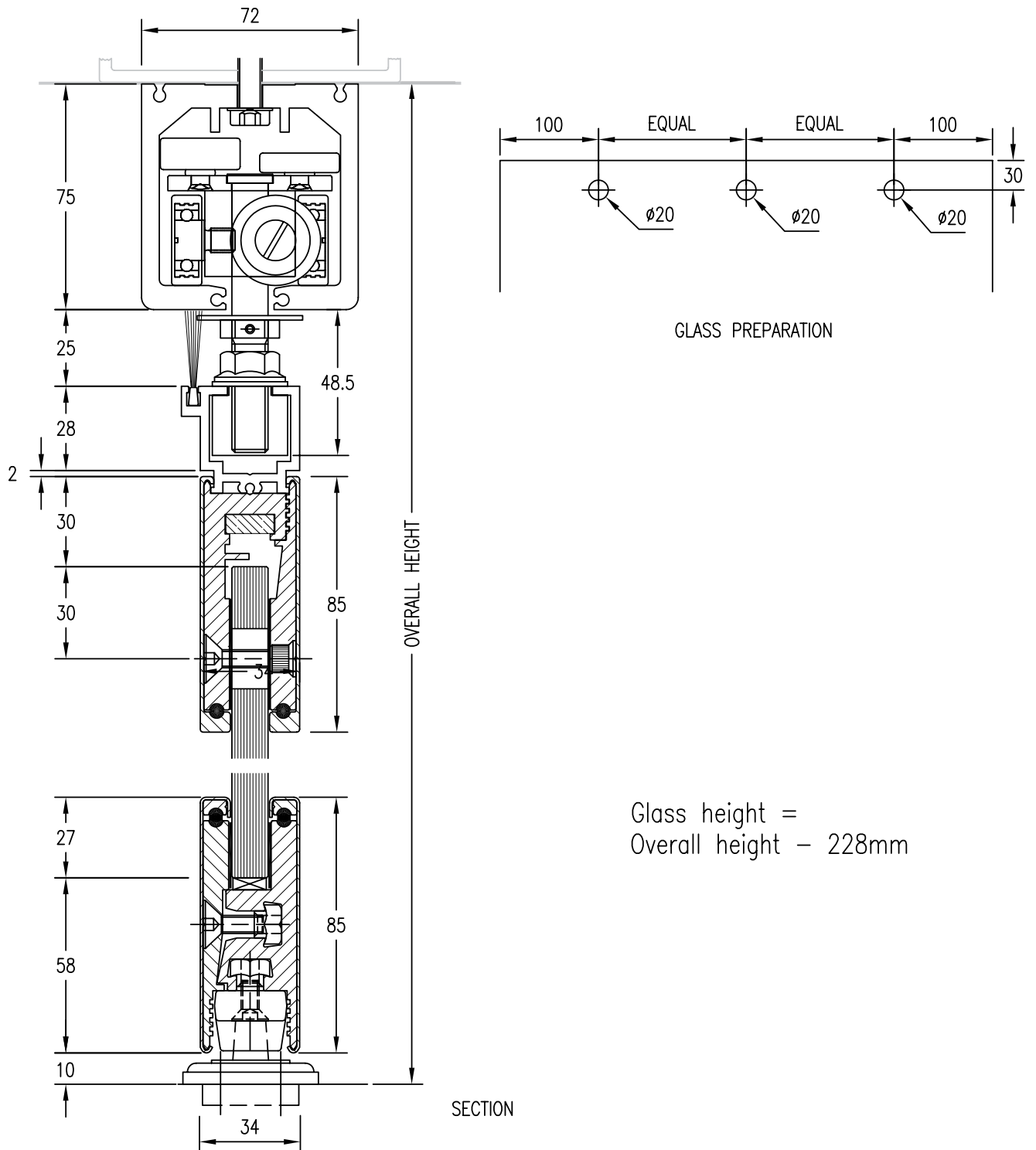
SECTION

HSW-R SPECIFICATION: DORMA HSW-R Aluminium Framed and Timber Door. Stacking Operable Wall System.

FINISHES
ALUMINIUM: MILL, SAA

OPERABLE WALLS

HSW-SE

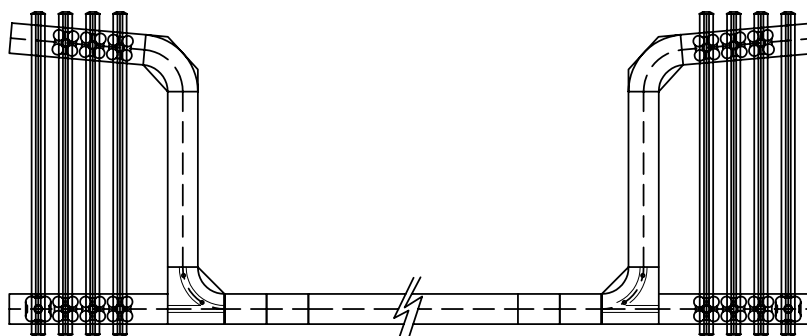


HSW-SE SPECIFICATION: DORMA HSW-SE Frameless Glass Stacking Operable Wall System. Max Panel Weight 150kg's.

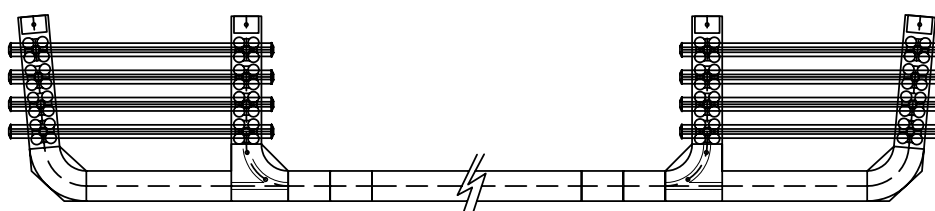
FINISHES
ALUMINIUM: MILL, SAA
STAINLESS: SSS, PSS

OPERABLE WALLS

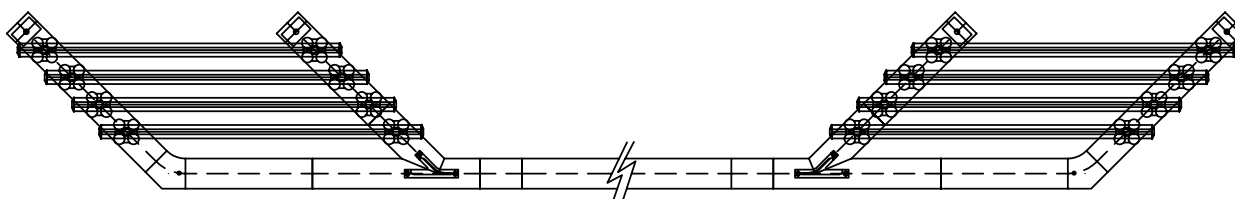
HSW-G/SE



PLAN 90 DEGREE PERPENDICULAR STACK BAY LH/RH



PLAN 90 DEGREE PARALLEL STACK BAY LH/RH



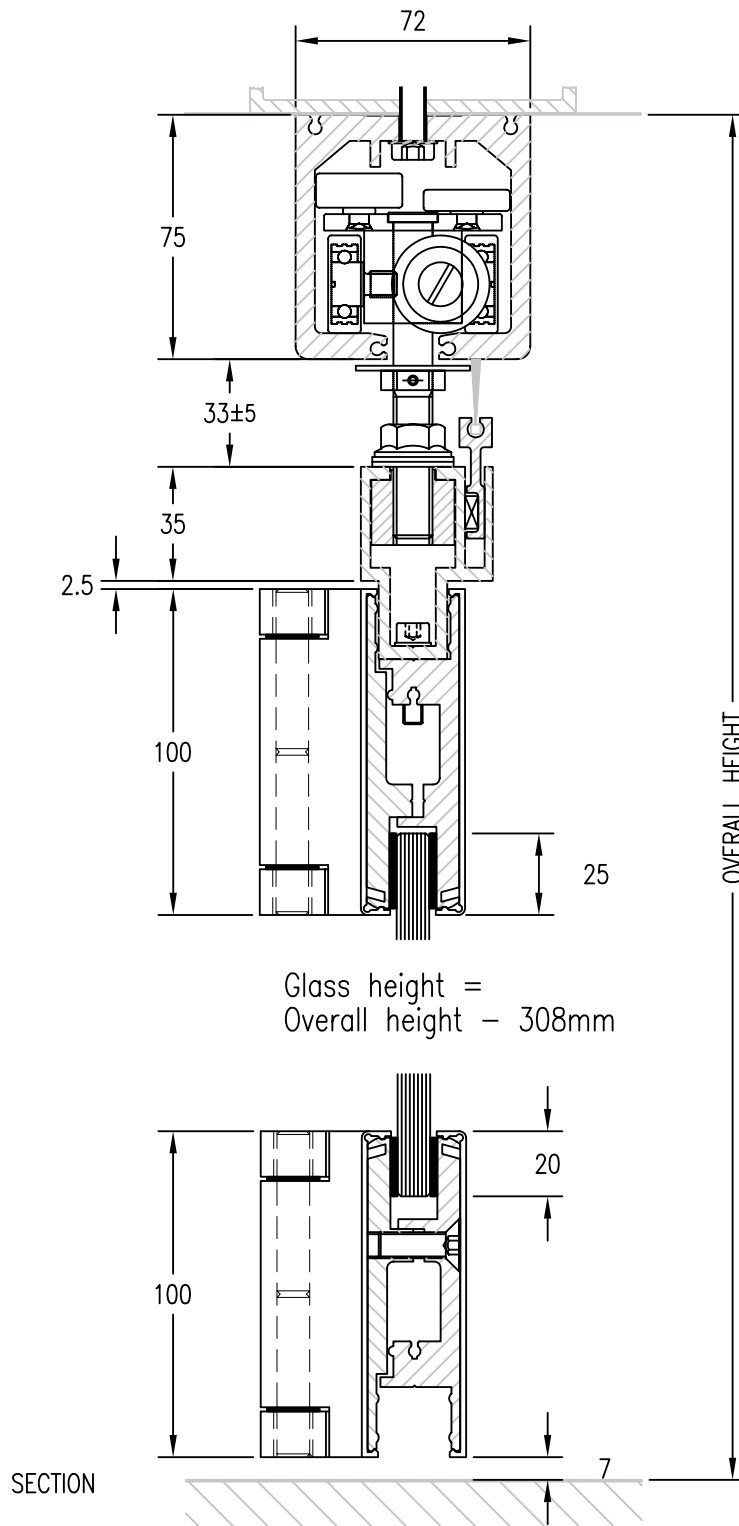
PLAN 135 DEGREE PARALLEL STACK BAY LH/RH

HSW-G/SE SPECIFICATION: DORMA HSW-G/SE System utilises the following standard stacking bay configurations. Special Bays to project requirements on application.

FINISHES
ALUMINIUM: SAA

OPERABLE WALLS

FSW-G

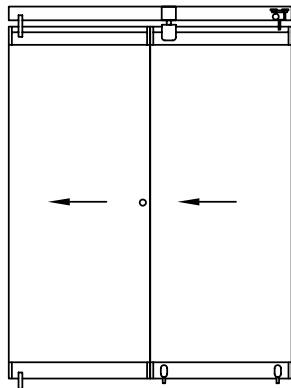


FSW-G SPECIFICATION: DORMA FSW-G Frameless Glass Bi-Folding Operable Wall System.
 Max Panel 70kg's and 1000mm Wide.
 Refer dorma.com.au for full technical planning manual.

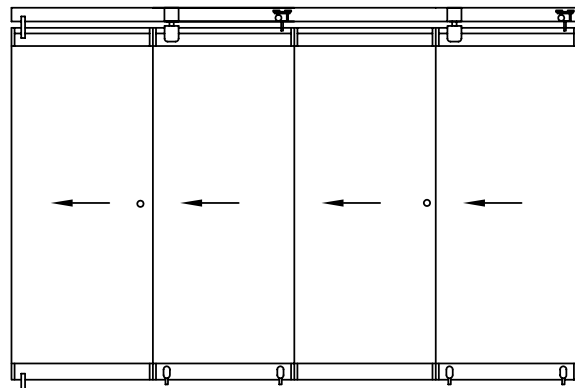
FINISHES
 ALUMINIUM: MILL, SAA
 STAINLESS: SSS, PSS

OPERABLE WALLS

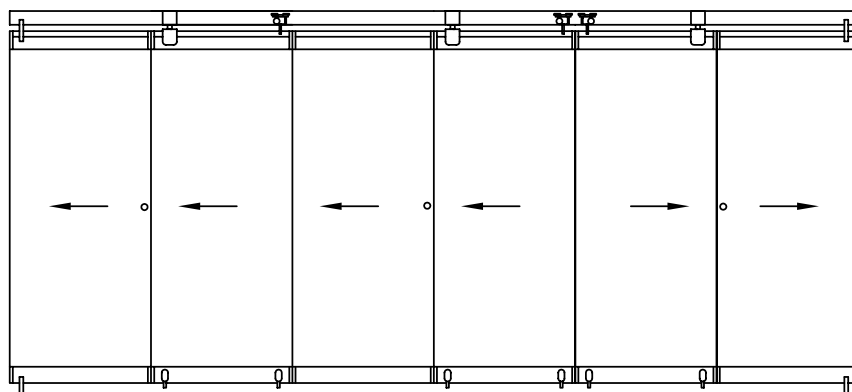
FSW-G



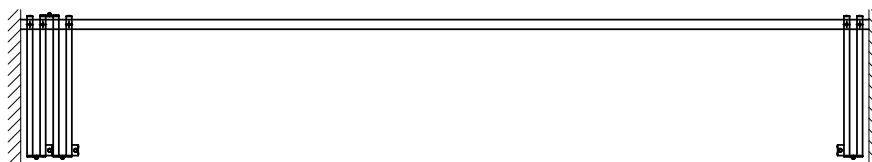
TYPE 1



TYPE 2



TYPE 3

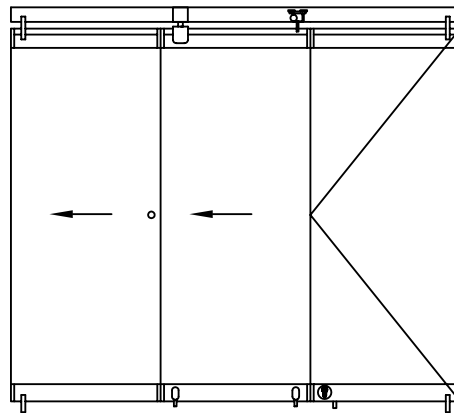


FSW-G SPECIFICATION: DORMA FSW-G Standard Configurations.

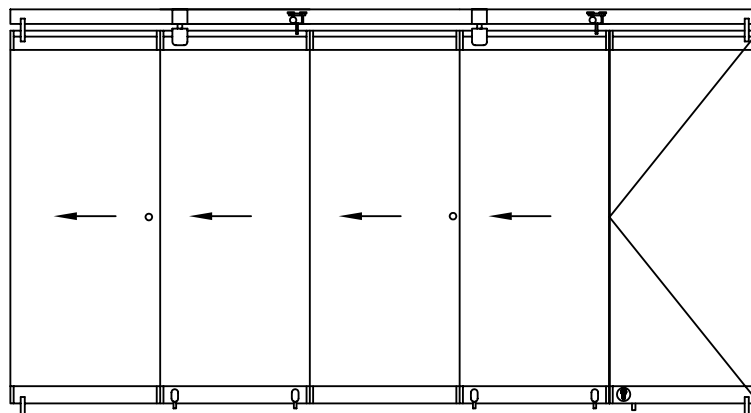
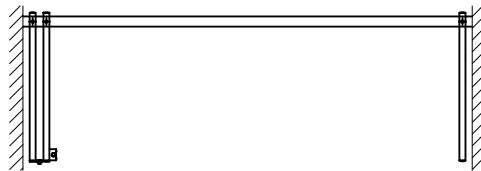
FINISHES
 ALUMINIUM: MILL, SAA
 STAINLESS: SSS, PSS

OPERABLE WALLS

FSW-G



TYPE 4



TYPE 5

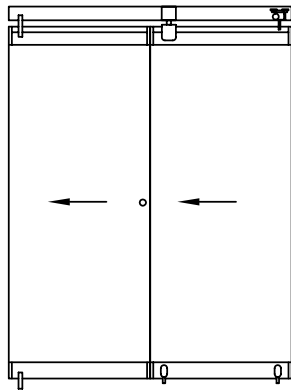


FSW-G SPECIFICATION: DORMA FSW-G Standard Configurations.

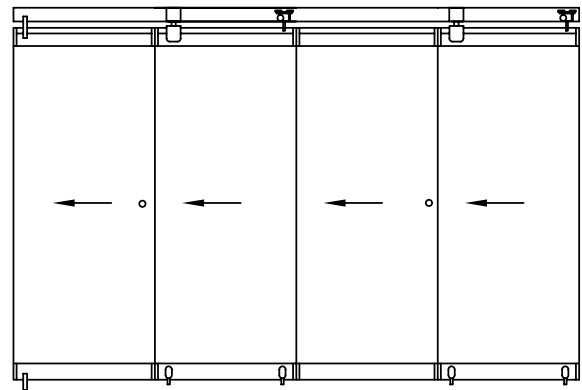
FINISHES
ALUMINIUM: MILL, SAA
STAINLESS: SSS, PSS

OPERABLE WALLS

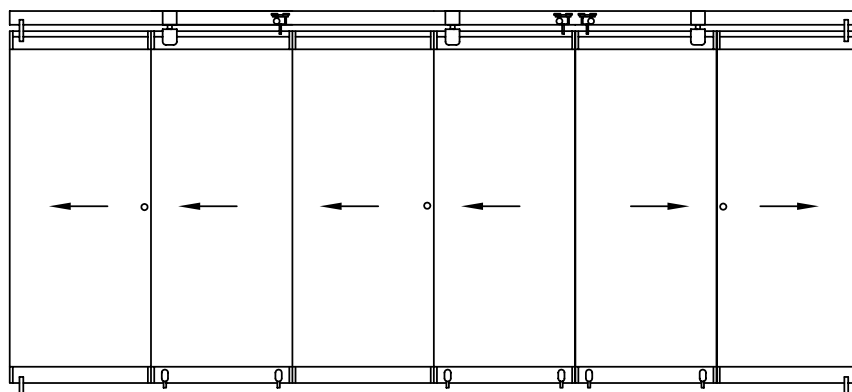
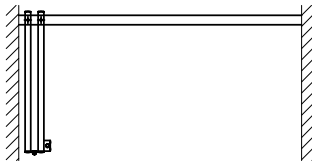
FSW-G



TYPE 1



TYPE 2



TYPE 3

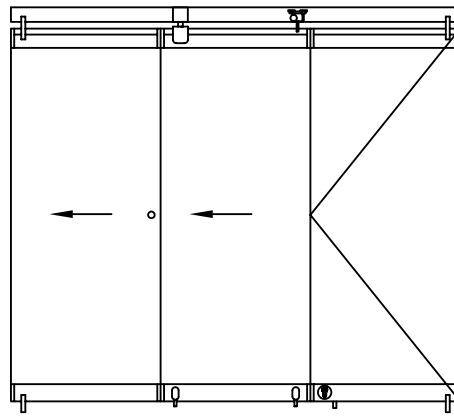


FSW-G SPECIFICATION: DORMA FSW-G Standard Configurations.

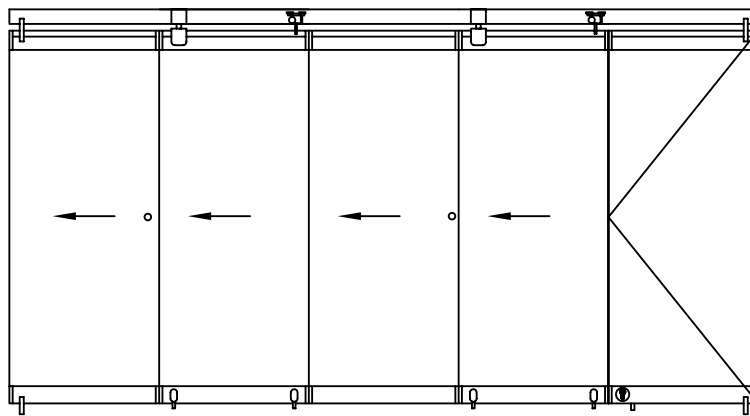
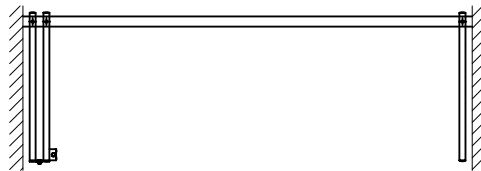
FINISHES
 ALUMINIUM: MILL, SAA
 STAINLESS: SSS, PSS

OPERABLE WALLS

FSW-G



TYPE 4



TYPE 5



FSW-G SPECIFICATION: DORMA FSW-G Standard Configurations.

FINISHES
ALUMINIUM: MILL, SAA
STAINLESS: SSS, PSS