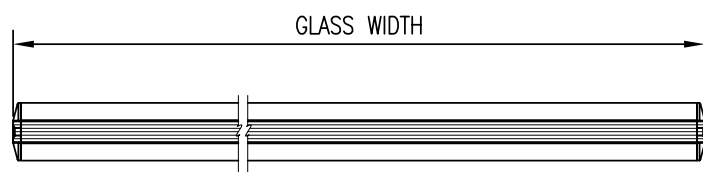
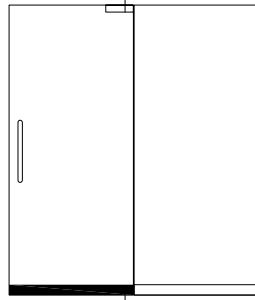
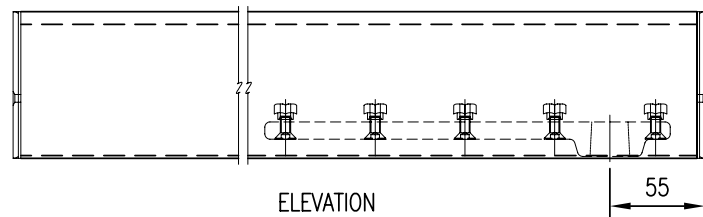


DOOR RAILS

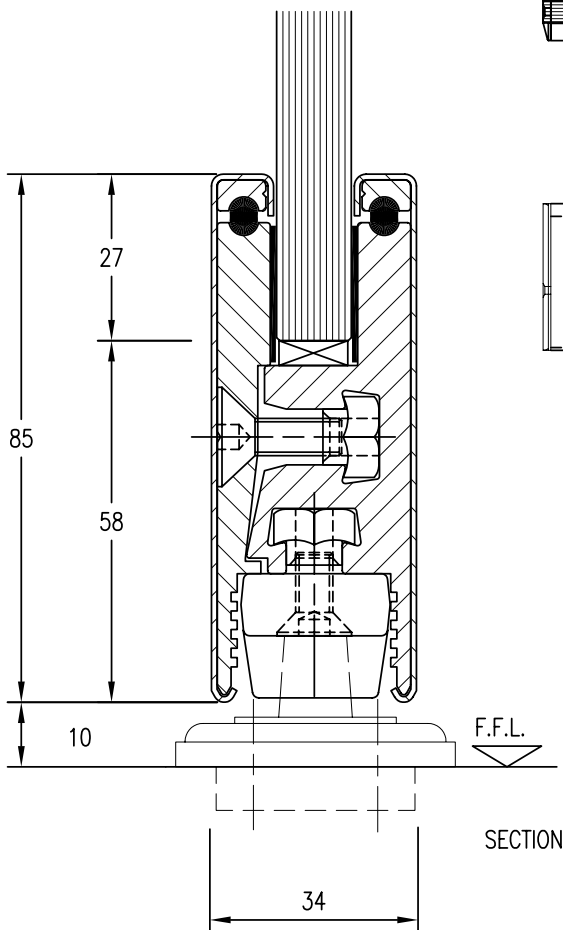
CDS 41



PLAN



ELEVATION



SECTION

CDS 41 SPECIFICATION: On-Eazi 85mm High Bottom Door Rail complete with Bottom Adaptor to suit DORMA BTS Floor Springs and Floor Pivots. Adjustable Pivot Point set at 55mm or specify as required. Specify Glass Thickness 10, 12, 15 or 19mm. Alternative rail cover heights on application. MAX DOOR WEIGHT: 150kgs ILLUSTRATED with CD 355 Floor Pivot.

FINISHES

ALUMINIUM:

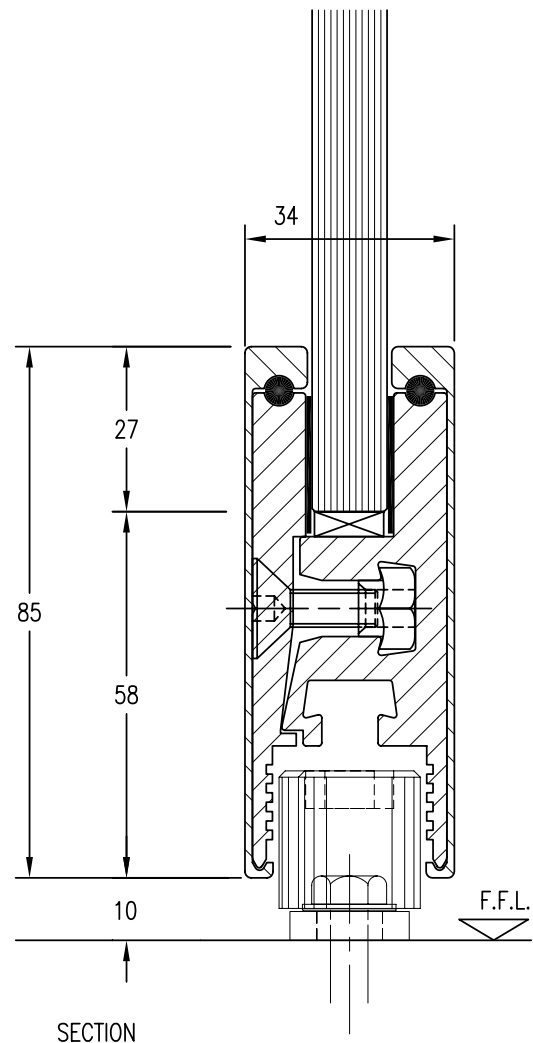
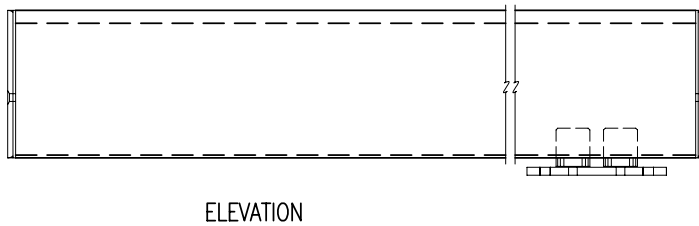
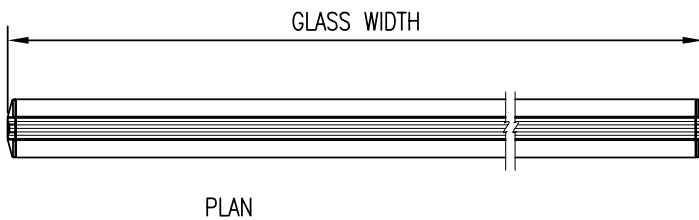
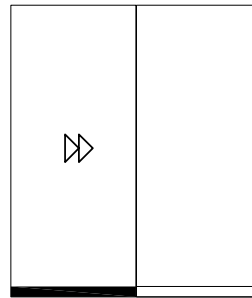
MILL, SAA

STAINLESS: SSS, PSS

Special finishes available on request.

DOOR RAILS

CDS 41S

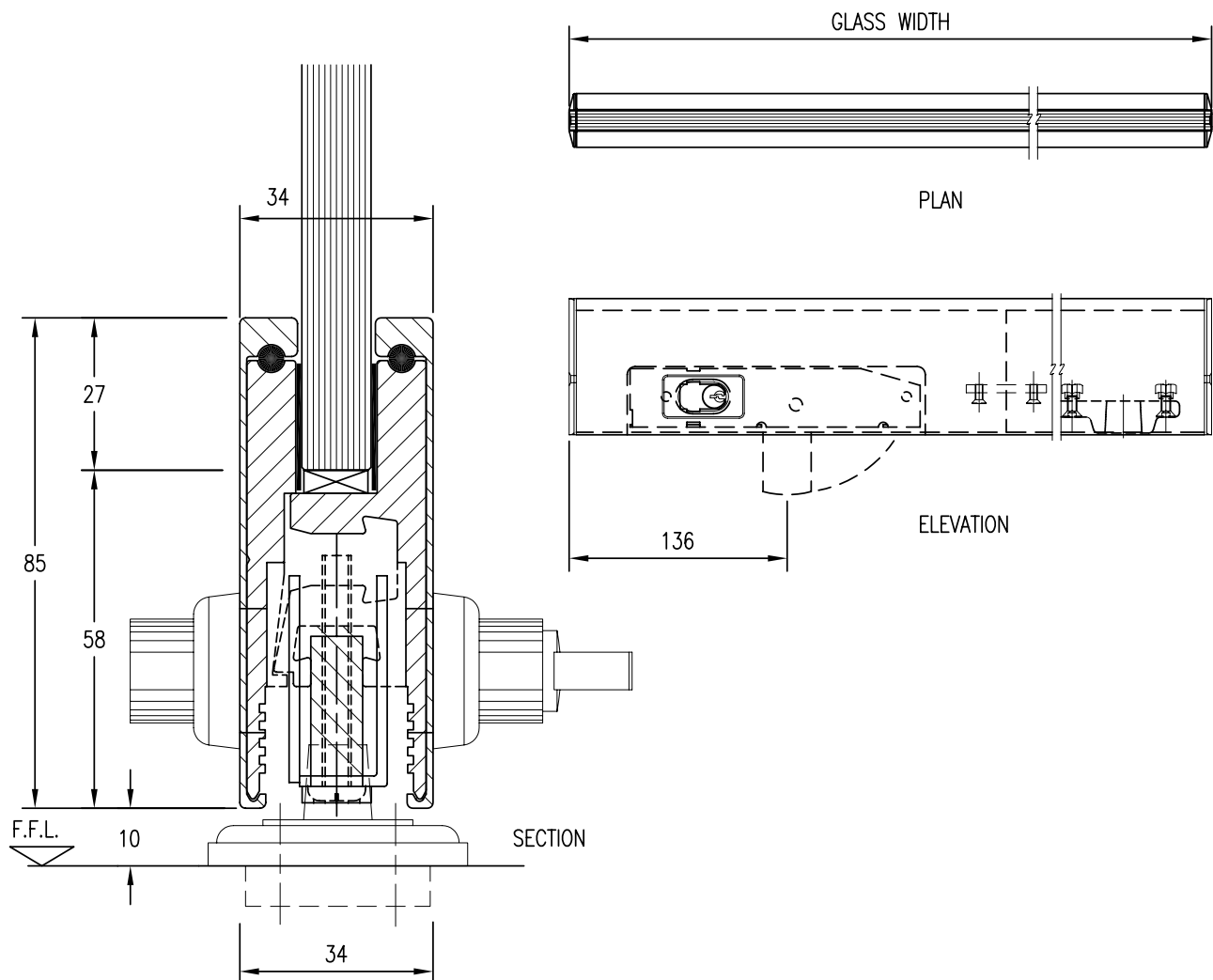
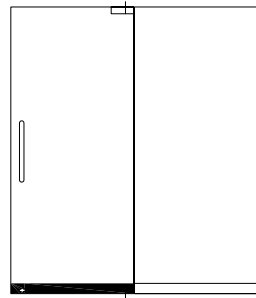


CDS 41S SPECIFICATION: On-Eazi 85mm High Bottom Door Rail to suit Automatic or Manual Sliding Doors.
Specify Glass Thickness 10, 12, 15 or 19mm.
Alternative rail cover heights on application.
ILLUSTRATED with CD 03 Internal Roller Guide.

FINISHES
ALUMINIUM:
MILL, SAA
STAINLESS: SSS, PSS
Special finishes available on request.

DOOR RAILS

CDS 42



CDS 42 SPECIFICATION: On-Eazi 85mm High Bottom Door Rail complete with Bottom Adaptor and Door Lock (DC 590) to suit DORMA BTS Floor Springs & Floor Pivots. Adjustable Pivot Point set at 55mm or specify as required. Specify Glass Thickness 10, 12, 15 or 19mm. Specify Lock Operation either Single Cylinder, Double Cylinder or Cylinder and Turn. Alternative rail cover heights on application. **MAX DOOR WEIGHT:** 150kgs ILLUSTRATED with CD 355 Floor Pivot.

FINISHES

ALUMINIUM:

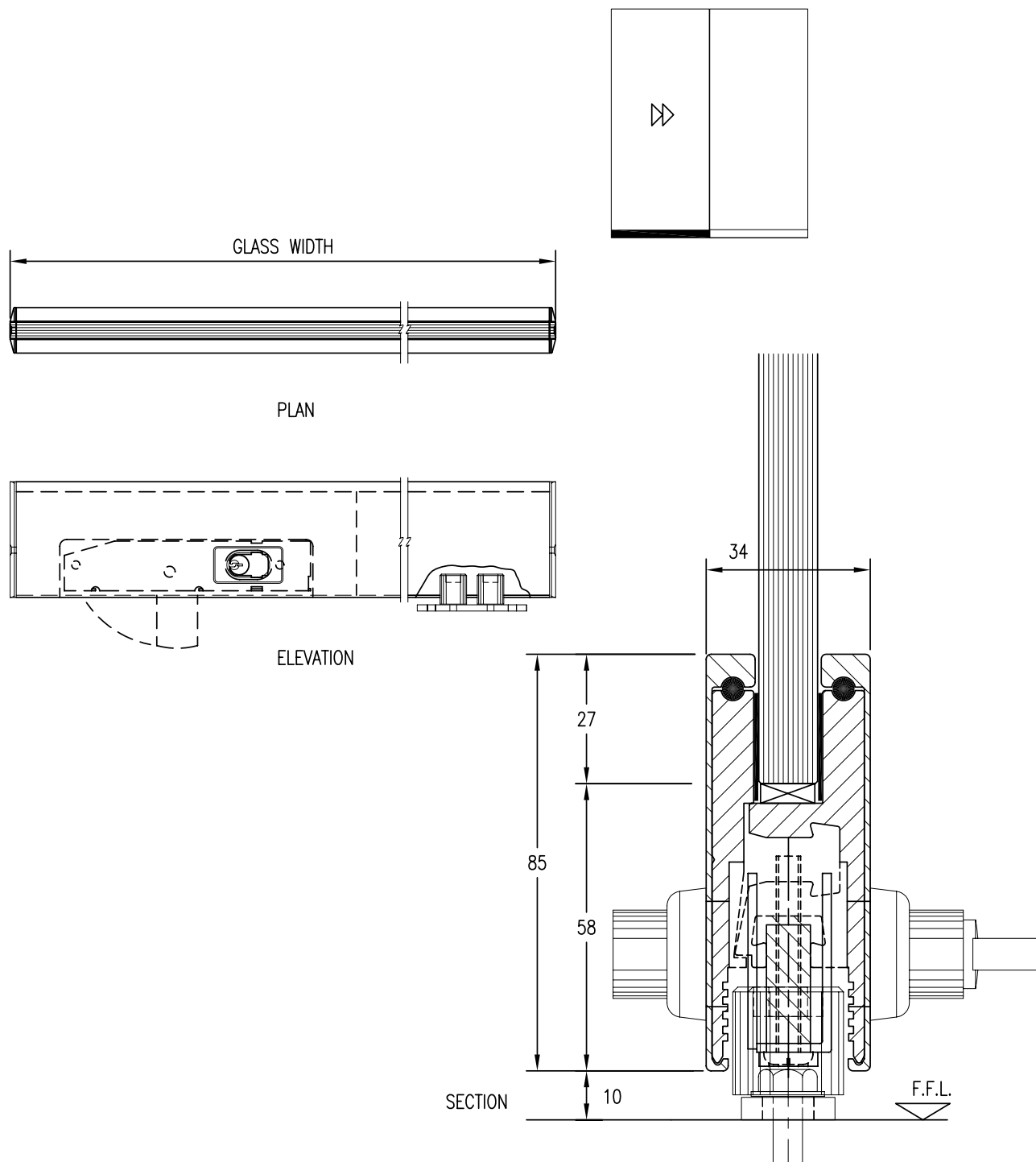
MILL, SAA

STAINLESS: SSS, PSS

Special finishes available on request.

DOOR RAILS

CDS 42S

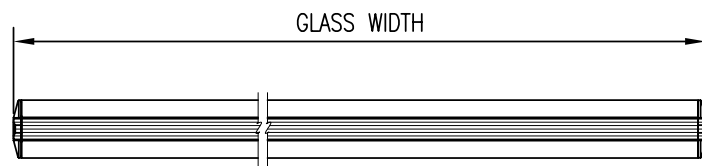
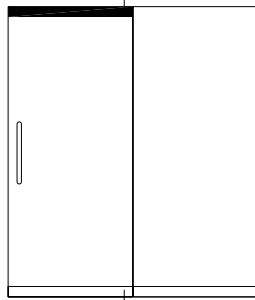


CDS 42S SPECIFICATION: On-Eazi 85mm High Bottom Door Rail complete with Door Lock (DC 590) to suit Automatic or Manual Sliding Doors. Specify Lock Operation either Single Cylinder, Double Cylinder or Cylinder and Turn. Specify Glass Thickness 10, 12, 15 or 19mm. Alternative rail cover heights on application. ILLUSTRATED with CD 03 Internal Roller Guide.

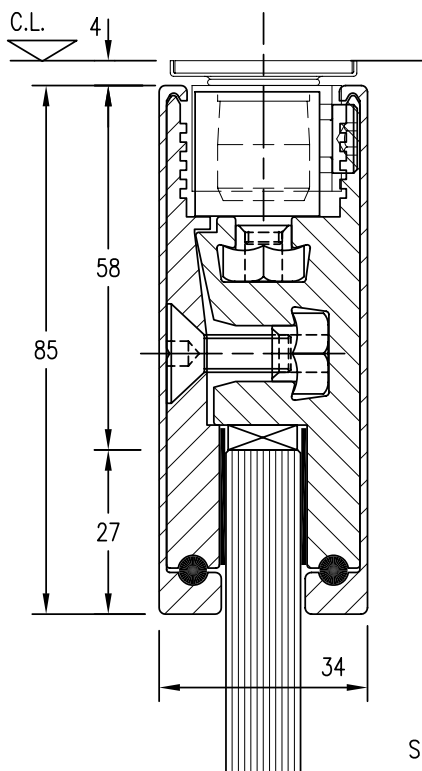
FINISHES
 ALUMINIUM:
 MILL, SAA
 STAINLESS: SSS, PSS
 Special finishes available on request.

DOOR RAILS

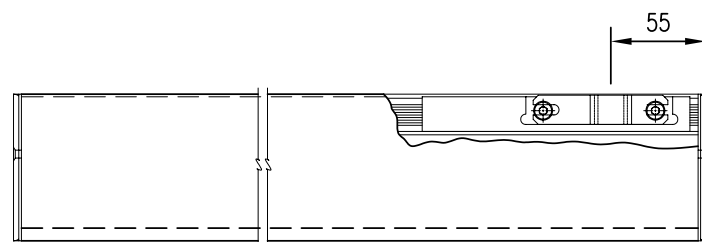
CDS 43



PLAN



SECTION



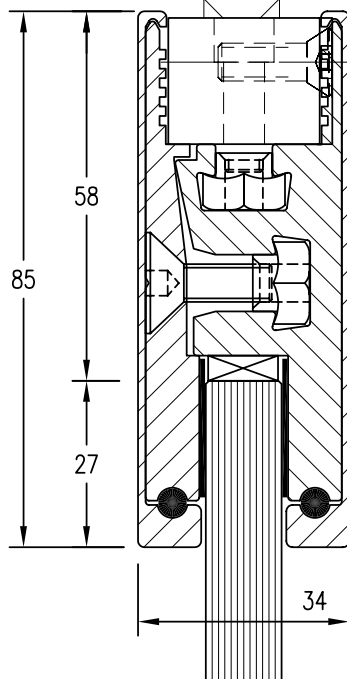
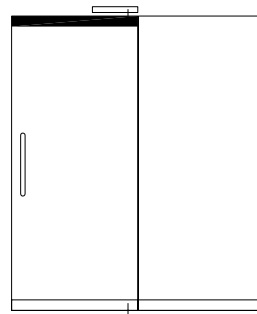
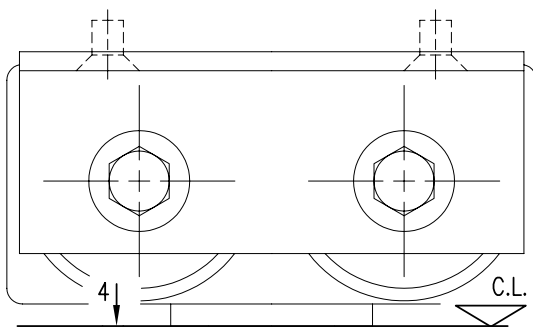
ELEVATION

CDS 43 SPECIFICATION: On-Eazi 85mm High Top Door Rail complete with Side Load Top Adaptor to suit CD 58 15mm diameter Top Pivot. Adjustable Pivot Point set at 55mm or specify as required. Specify Glass Thickness 10, 12,15 or 19mm. Alternative rail cover heights on application. ILLUSTRATED with CD 58 Top Pivot.

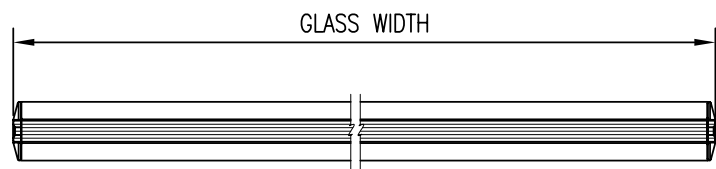
FINISHES
 ALUMINIUM:
 MILL, SAA
 STAINLESS: SSS, PSS
 Special finishes available on request.

DOOR RAILS

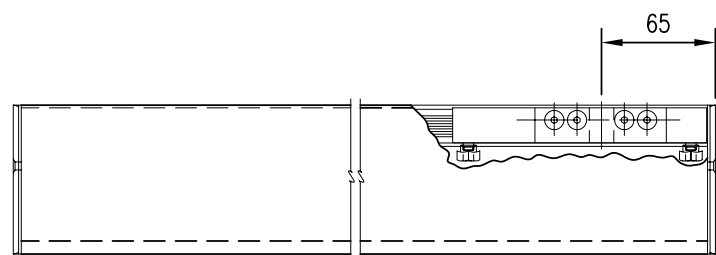
CDS 43RTS



SECTION



PLAN



ELEVATION

CDS 43 RTS SPECIFICATION: On-Eazi 85mm High Tap Door Rail complete with Side Load RTS Top Adaptor to suit DORMA RTS 85 Transom Closers. Adjustable Pivot Point set at 65mm or specify as required. Specify Glass Thickness 10, 12, or 15mm. Alternative rail cover heights on application. ILLUSTRATED with RTS 85 Transom Closer. NOTE: When ordering Bottom Rail to suit specify 65mm Pivot Point.

FINISHES

ALUMINIUM:

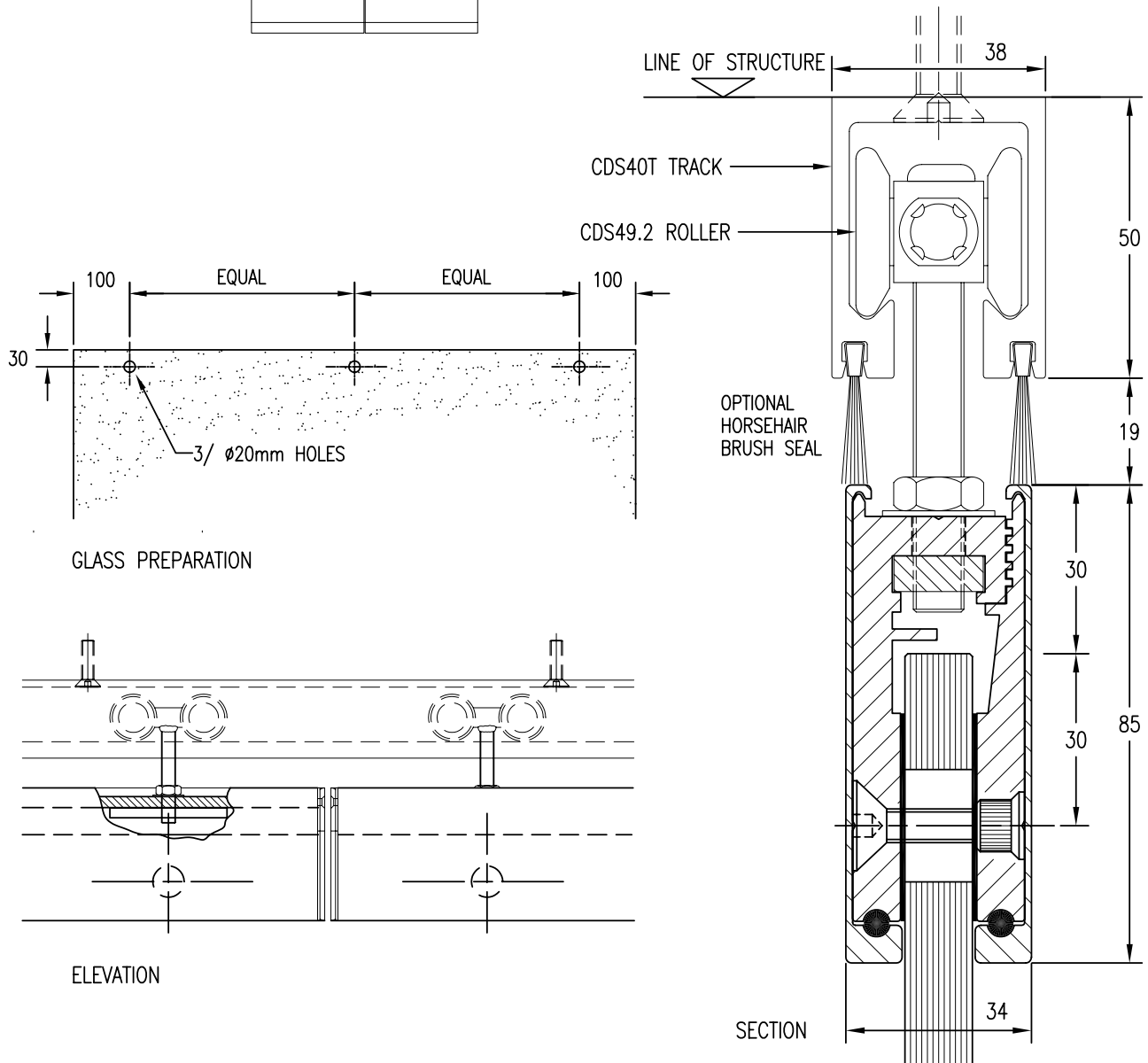
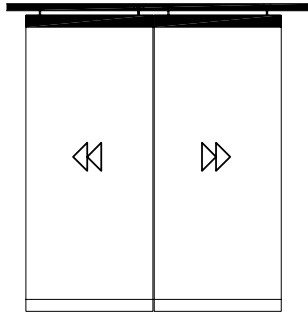
MILL, SAA

STAINLESS: SSS, PSS

Special finishes available on request.

DOOR RAILS

CDS 43S

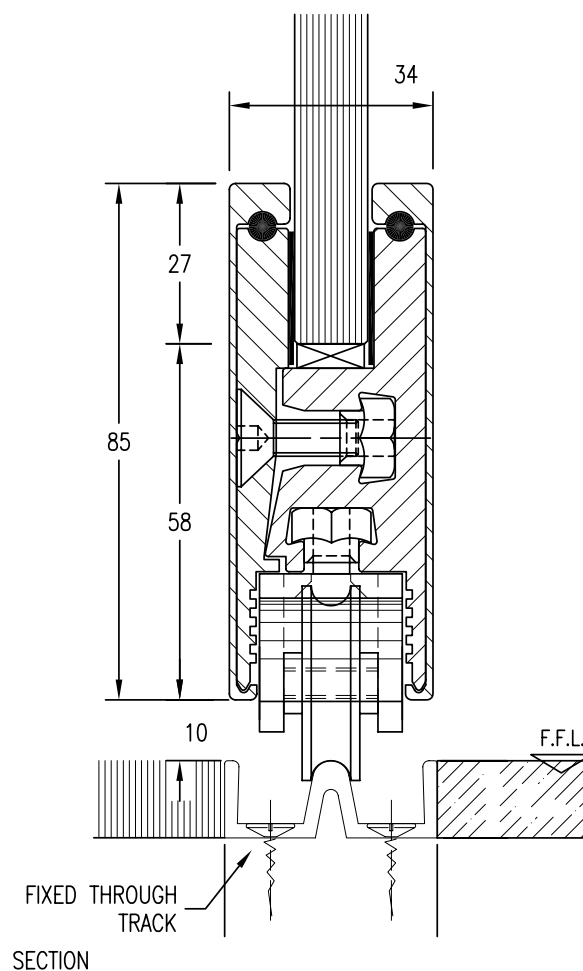
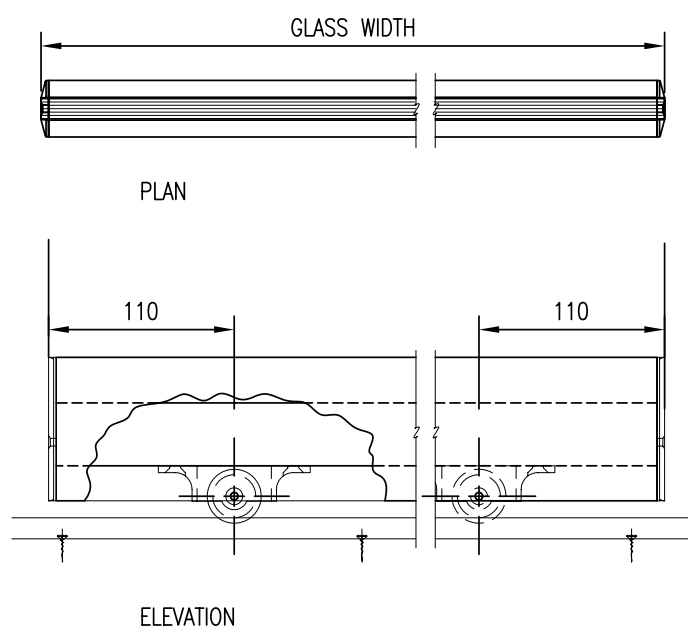
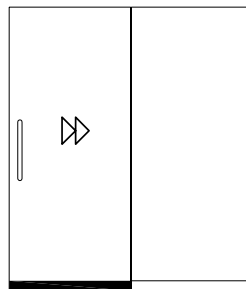


CDS 43S SPECIFICATION: On-Eazi 85mm High Bolt through Top Door Rail to suit most automatic or manual Sliding Door Systems. Specify Glass Thickness 10, 12, 15 or 19mm. Alternative rail cover heights on application. ILLUSTRATED with CDS 40T Track & CDS 49.2 Roller.

FINISHES
 ALUMINIUM:
 MILL, SAA
 STAINLESS: SSS, PSS
 Special finishes available on request.

DOOR RAILS

CDS 41B/S



CDS 41 B/S SPECIFICATION: On-Eazi 85mm High Bottom Door Rail complete with Heavy Duty Rollers to suit CDS 50 Floor Mounted Sliding Brass Track, ILLUSTRATED.

Specify Glass Thickness 10, 12, 15 or 19mm.

Alternative rail cover heights on application.

MAX DOOR WEIGHT: 150Kgs

FINISHES

ALUMINIUM:

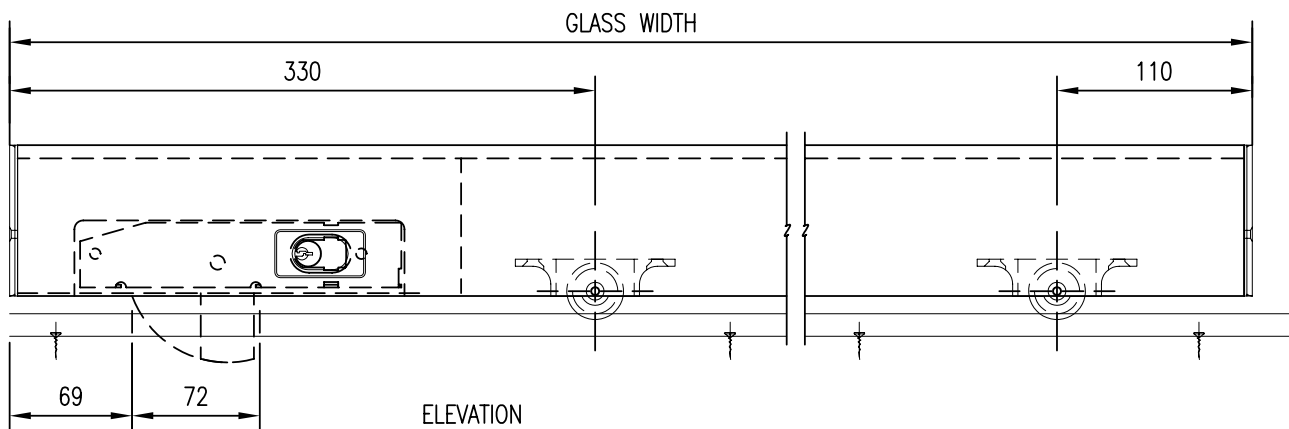
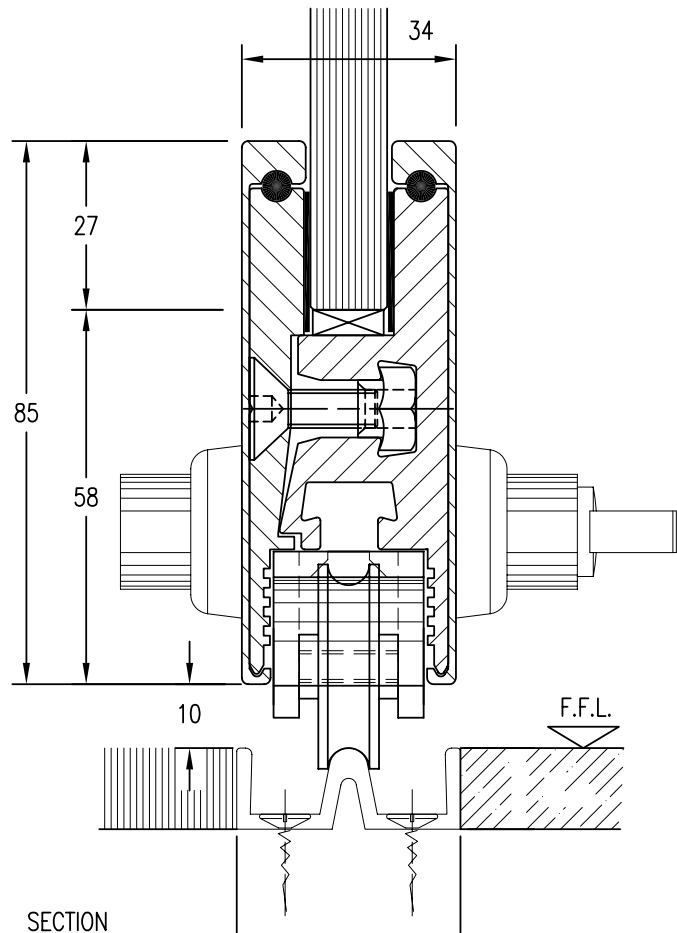
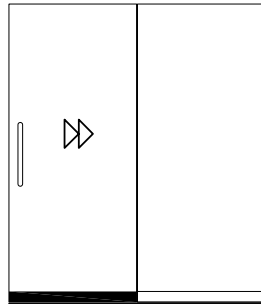
MILL, SAA

STAINLESS: SSS, PSS

Special finishes available on request.

DOOR RAILS

CDS 42B/S

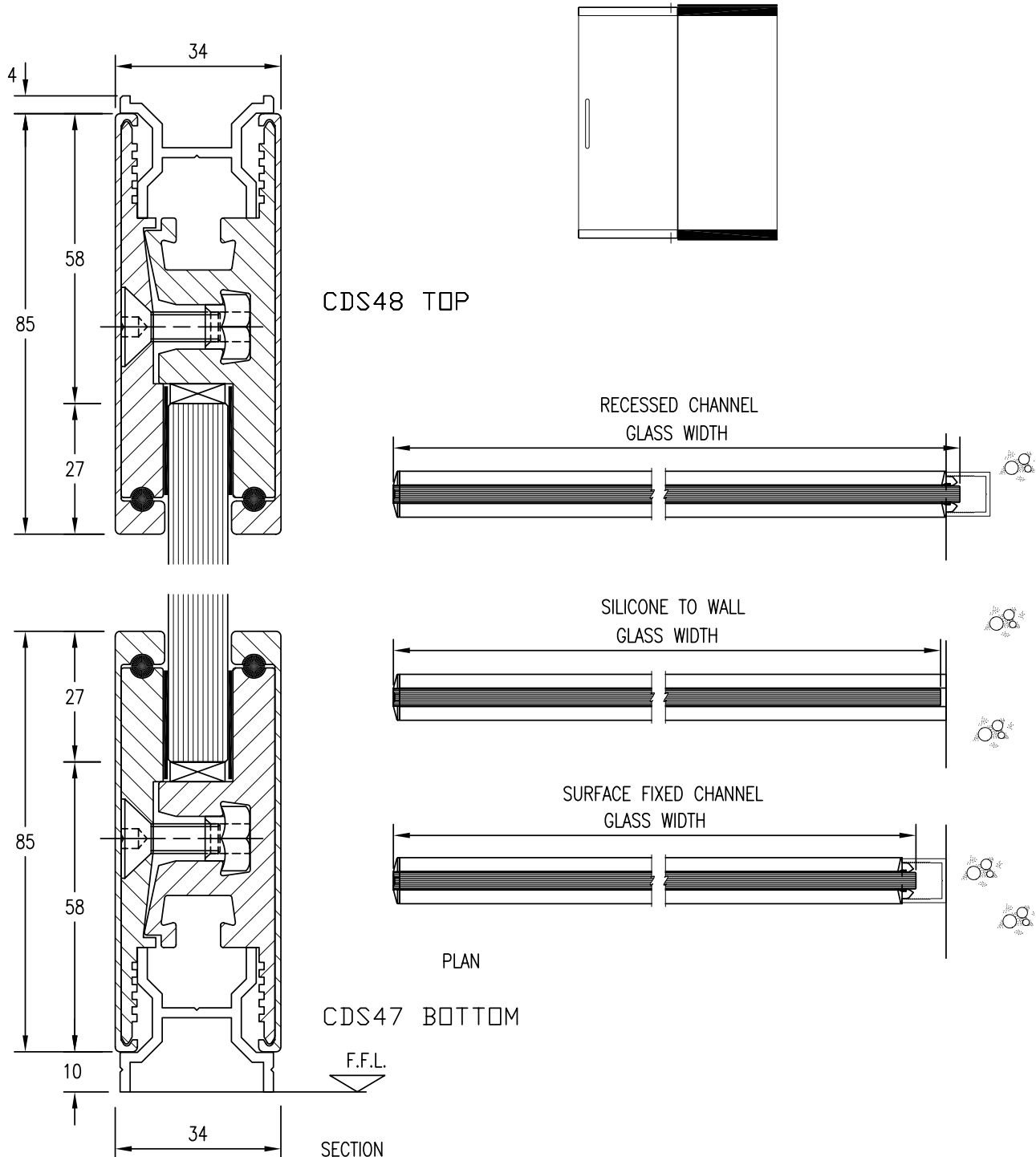


CDS 42B/S SPECIFICATION: On-Eazi 85mm High Bottom Door Rail complete with Heavy Duty Rollers and Door Lock (DC 590), to suit CDS 50 Floor Mounted Sliding Brass Track, ILLUSTRATED. Specify Glass Thickness 10, 12, 15 or 19mm. Specify lock operation either single cylinder, double cylinder or cylinder and turn. Alternative rail cover heights on application. NOTE: Minimum Door width recommended 1000mm. MAX DOOR WEIGHT: 150KGS

FINISHES
ALUMINIUM:
 MILL, SAA
STAINLESS: SSS, PSS
 Special finishes available on request.

DOOR RAILS

CDS 47/48

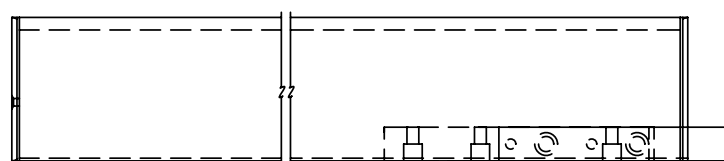
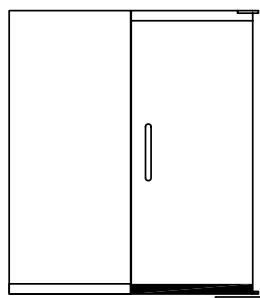


CDS 47/48 SPECIFICATION: On-Eazi 85mm High Side Light Rail complete with 4/10mm Filler Section to suit side light installation. ILLUSTRATED. Specify Glass Thickness 10, 12, 15 or 19mm. Alternative rail cover heights on application. Specify one or two End Caps as required. Specify CDS 47 for Bottom Side Light Rail. Specify CDS 48 for Top Side Light Rail.

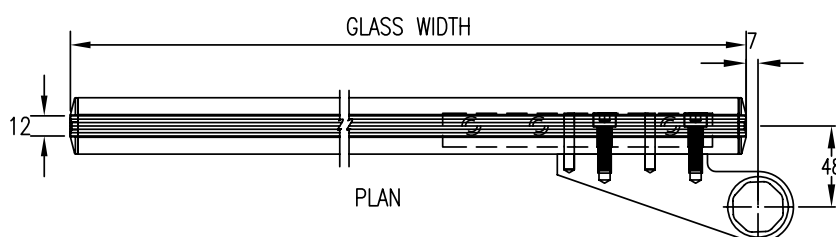
FINISHES
ALUMINIUM:
MILL, SAA
STAINLESS: SSS, PSS
Special finishes available on request.

DOOR RAILS

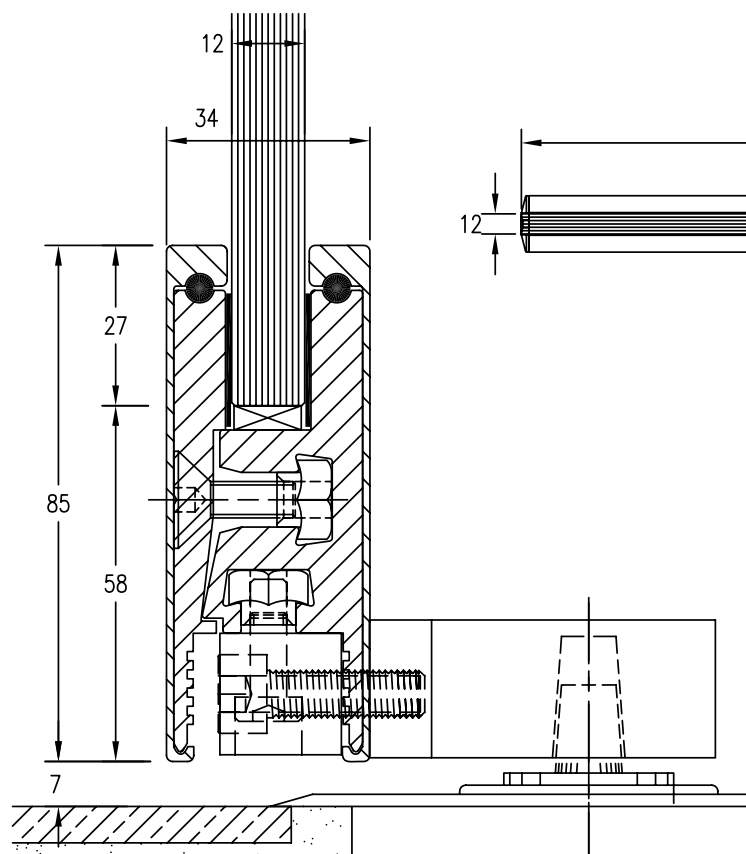
CDS 41D L/R



ELEVATION



PLAN



SECTION

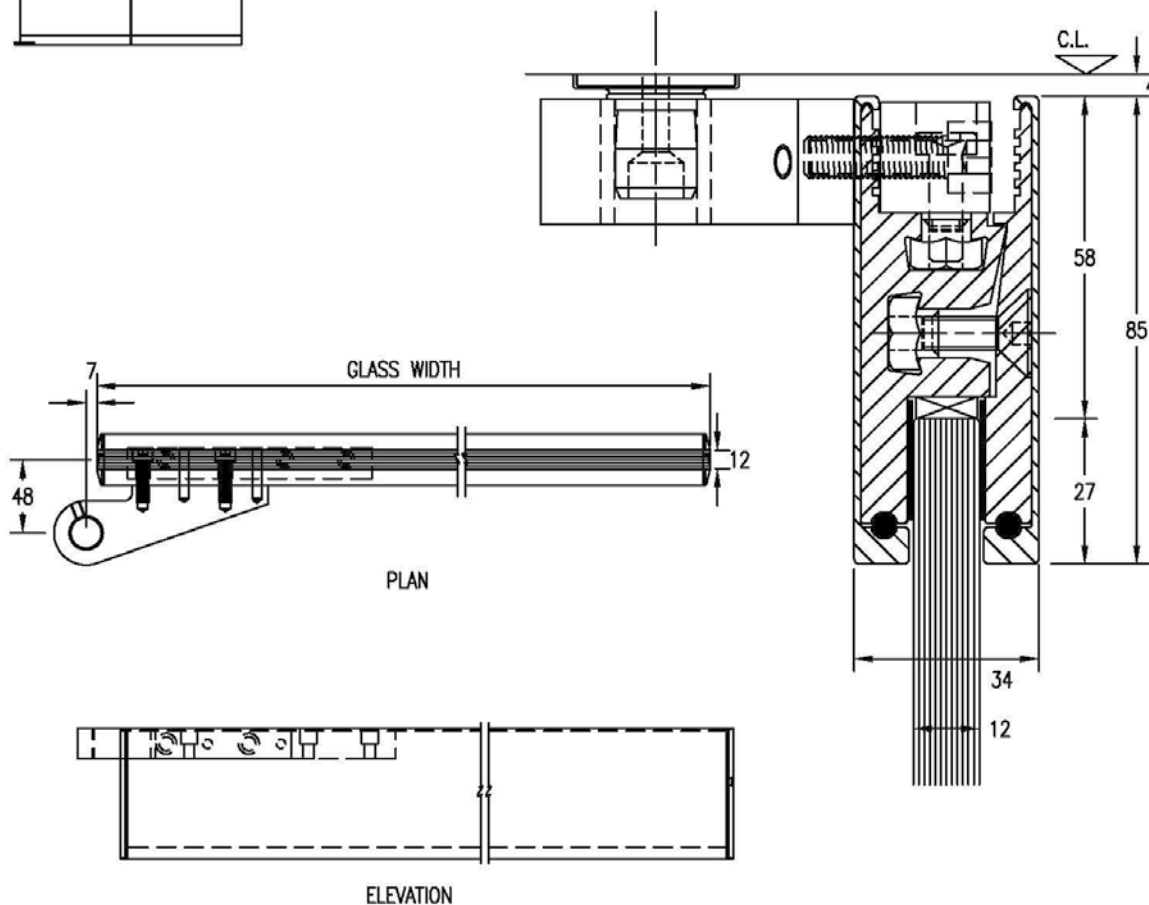
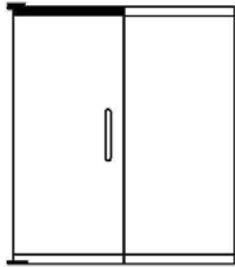
CDS 41D L/R SPECIFICATION: On-Eazi 85mm High Bott. Door Rail complete with Offset Pivot Assembly to suit DORMA BTS Floor Springs & Floor Pivots. Specify Glass Thickness 10, 12, 15 or 19mm. NB 12mm Illustrated. Alternative rail cover heights on application. Specify L / R for Handing. (RIGHT HAND DRAWN) MAX DOOR WEIGHT: 100kgs NOTE: Offset Pivot Assembly finished in SAA and SSS. ILLUSTRATED with a DORMA BTS Floor spring.

FINISHES

ALUMINIUM:
MILL, SAA
STAINLESS: SSS, PSS
Special finishes available on request.

DOOR RAILS

CDS 43D L/R

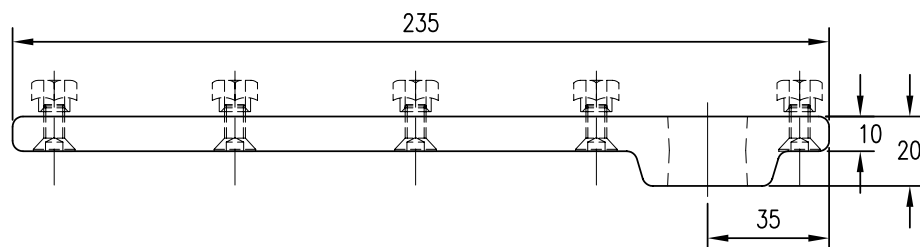


CDS 43D L/R SPECIFICATION: On-Eazi 85mm High Tap Door Rail complete with Offset Pivot Assembly to suit CD 58 Offset Top Pivot. ILLUSTRATED. Alternate Frame Portion Pivots refer 339.1. 2 and 3 Specify Glass Thickness 10, 12, 15 or 19mm. NB 12mm Illustrated. Alternative rail cover heights on application. Specify L / R for Handing. (LEFT HAND DRAWN)
 MAX DOOR WEIGHT: 100kgs
 NOTE: Offset Pivot Assembly finished in SAA and SSS.

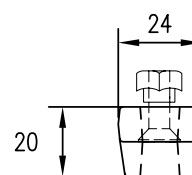
FINISHES
 ALUMINIUM:
 MILL, SAA
 STAINLESS: SSS, PSS
 Special finishes available on request.

DOOR RAILS

INSERTS



SIDE VIEW

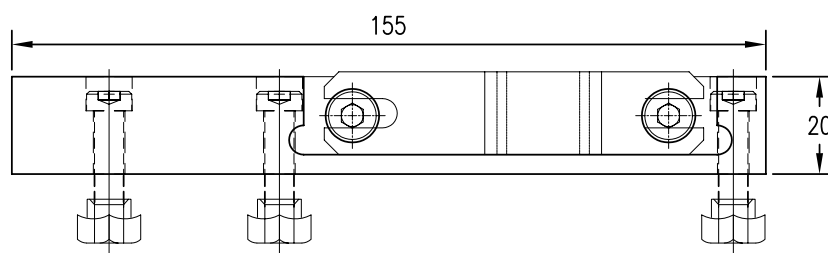
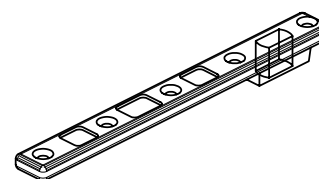


END VIEW

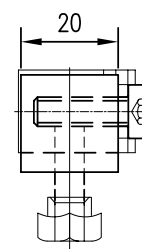
7421

SPECIFICATION:

On-Eazi Bottom Rail Strap to suit
DORMA Floor Spring or Pivot Bearing.



SIDE VIEW

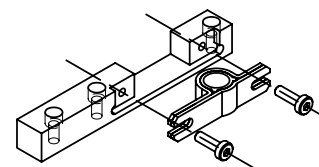


END VIEW

CDS 40-4

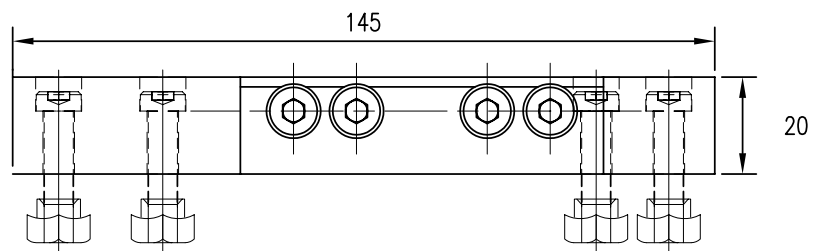
SPECIFICATION:

On-Eazi Bottom Rail Strap to suit
DORMA Floor Spring or Pivot Bearing.

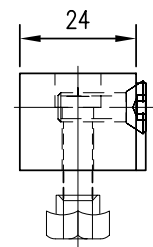


DOOR RAILS

INSERTS



SIDE VIEW

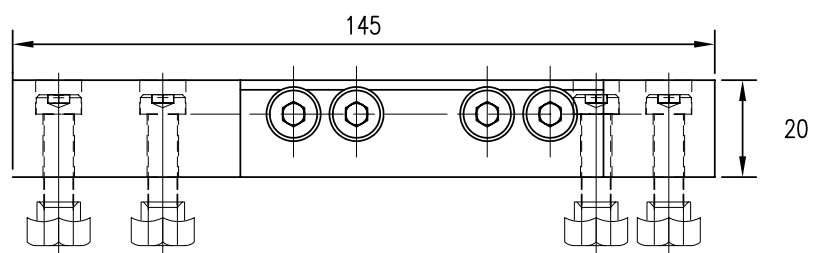
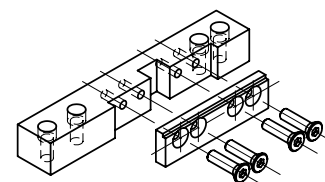


END VIEW

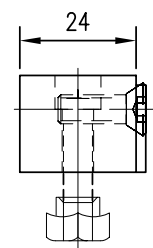
CDS 40-6RTS

SPECIFICATION:

On-Eazi Top Adaptor to suit
DORMA RTS Transom Closer.



SIDE VIEW

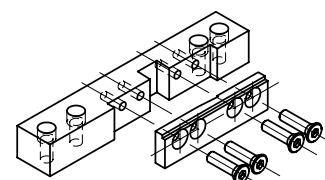


END VIEW

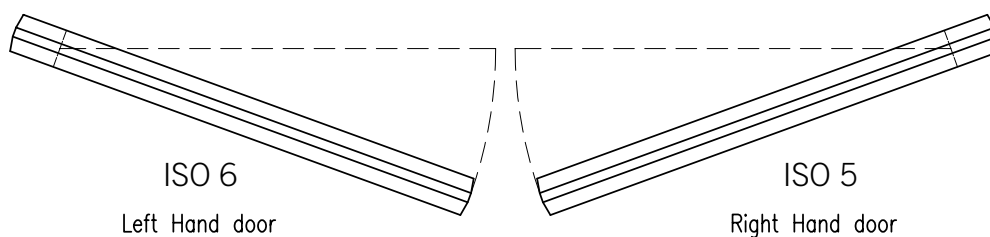
CDS 40-6 RTS L/R

SPECIFICATION:

On-Eazi Top Adaptor to suit
DORMA RTS Transom Closer Including 3 Deg. Offset
Specify LH or RH.



INSIDE

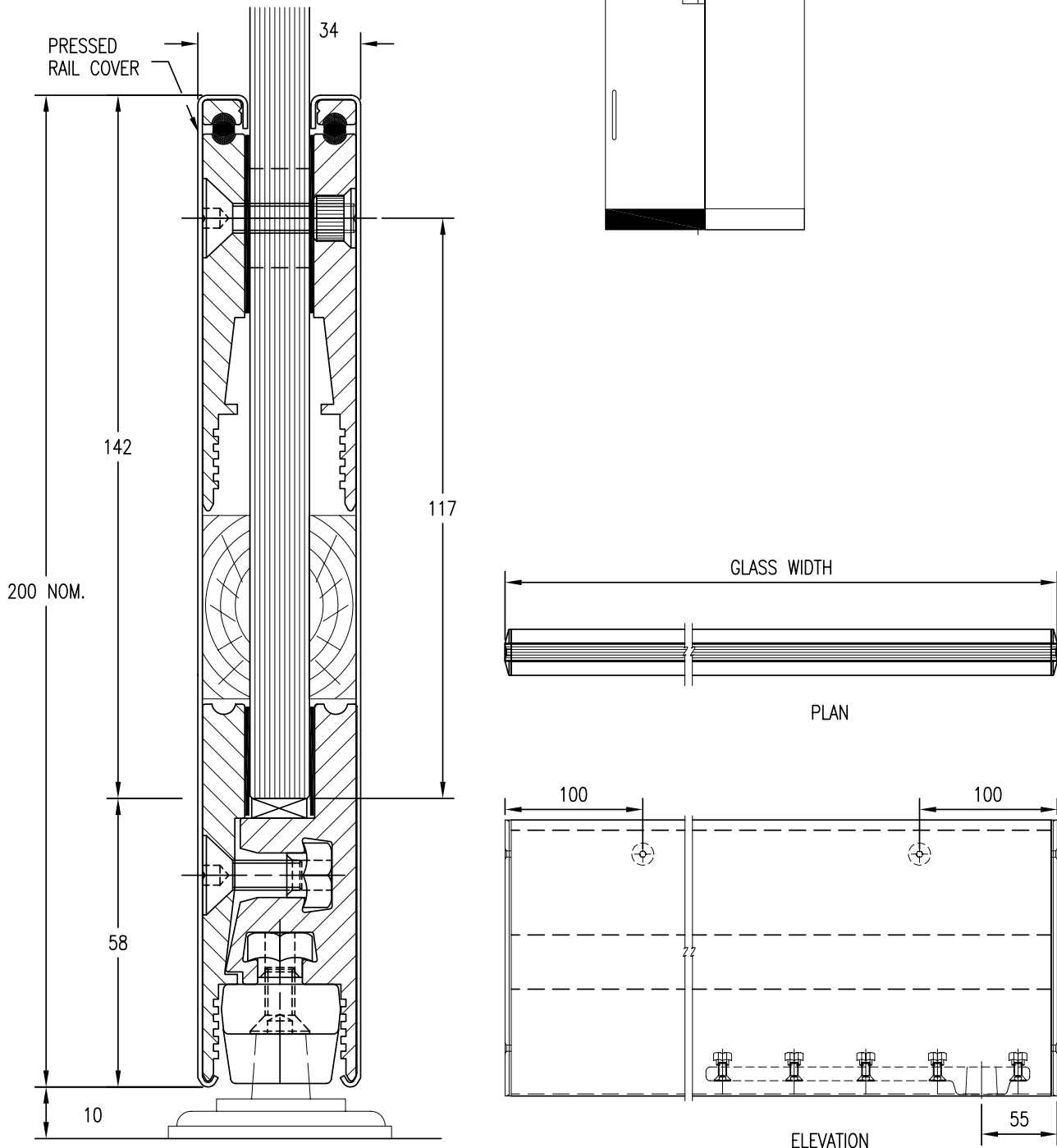


ISO 6
Left Hand door

ISO 5
Right Hand door

DOOR RAILS

CDS 41V

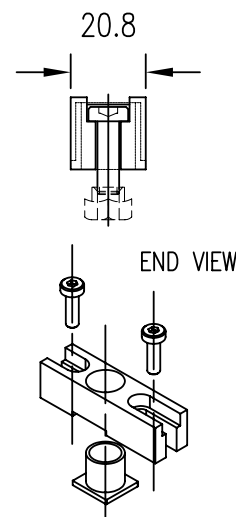
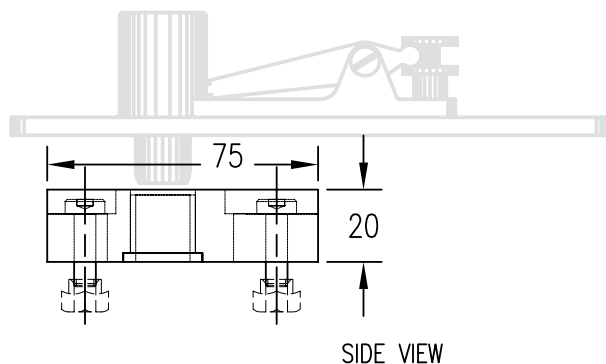


CDS 41V SPECIFICATION: 200mm (Nominal) High Bottom or Top Rail FINISHES: available to suit DORMA Floor Springs or Transom Closers or Sliding Mechanisms. Specify height of Rail minimum 150mm maximum 400mm. Specify glass thickness 10,12 or 15mm. Specify fittings required, including Pivots and Locks. Note: Glass preparation drawings, on request. ILLUSTRATED with CD 355 Floor Pivot.

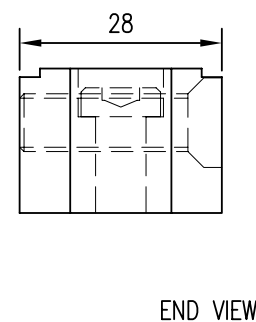
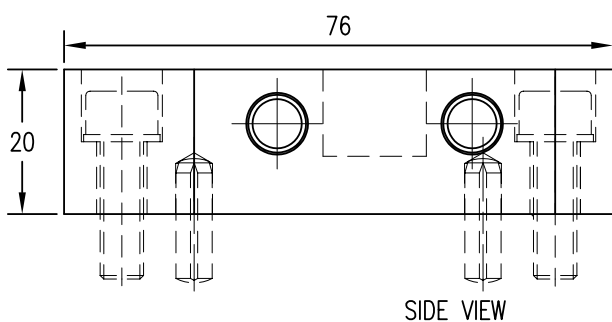
FINISHES
 ALUMINIUM:
 MILL, SAA
 STAINLESS: SSS, PSS
 Special finishes available on request.

DOOR RAILS

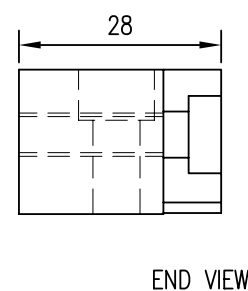
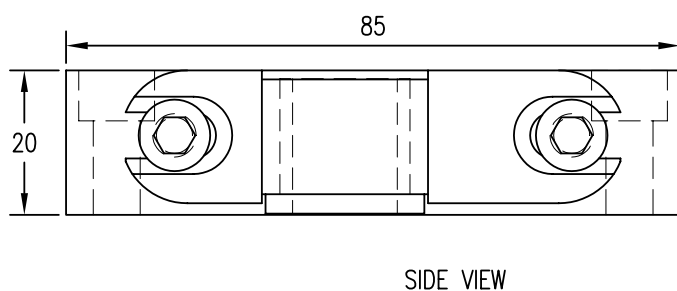
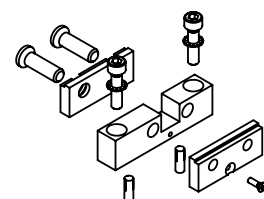
INSERTS



355.0
 SPECIFICATION:
 Universal Top Rail Pivot Insert to suit
 Walking Beam Pivot. (ILLUSTRATED)



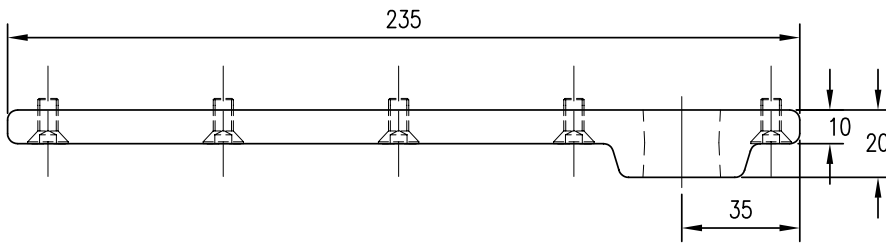
355.4
 SPECIFICATION:
 Universal Top RTS Rail Insert to suit
 DORMA RTS 85 Transom Closer.



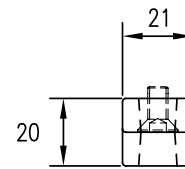
355.9
 SPECIFICATION:
 Universal Top Rail Side Load Pivot Insert.
 To suit CD 58.

DOOR RAILS

STRAPS



SIDE VIEW

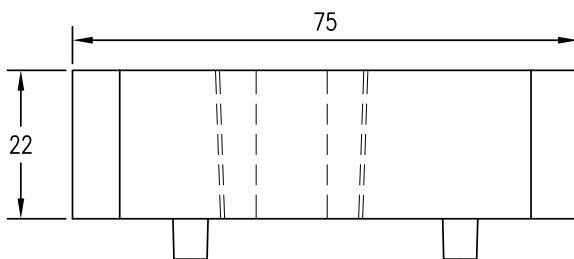
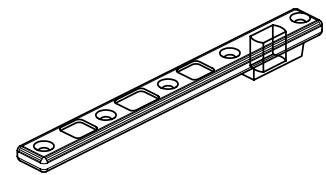


END VIEW

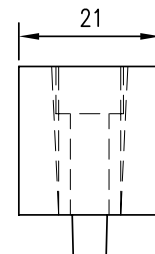
7421.4

SPECIFICATION:

Universal Bottom Strap Pack to suit Universal Rail and DORMA Floor Spring or Pivot Bearing.



SIDE VIEW

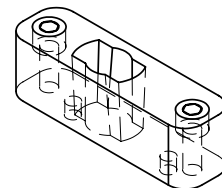


END VIEW

355.1

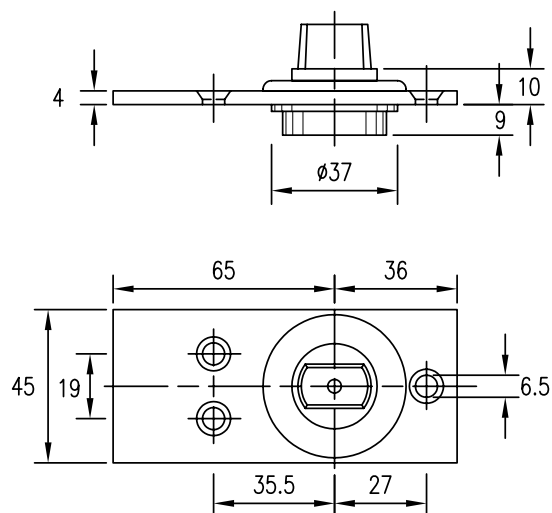
SPECIFICATION:

Universal Bottom Rail Pivot Insert to suit DORMA Floor Spring or Floor Pivot Bearing.

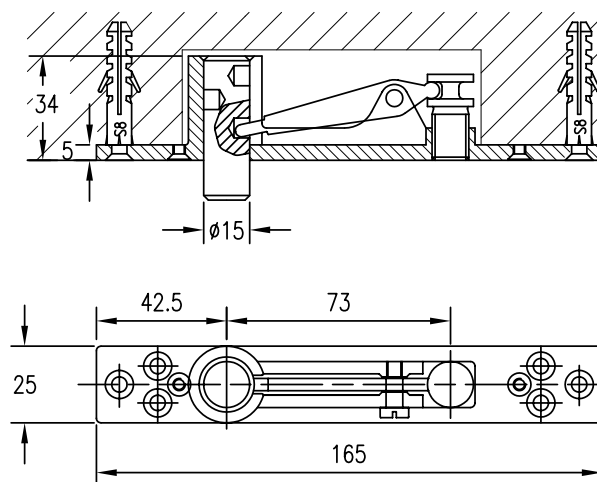


DOOR RAILS

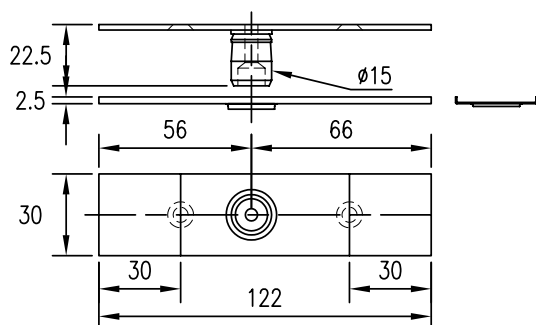
PIVOTS



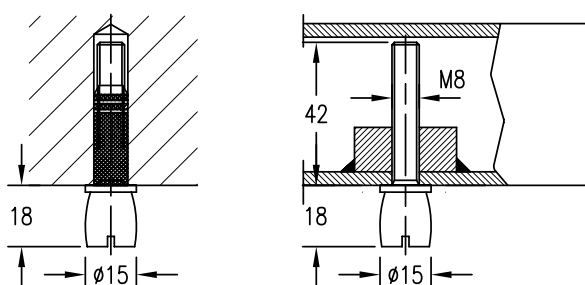
CD 355
 FLOOR PIVOT BEARING with 2.5MM EXTENSION
 DOOR WEIGHT - 110Kg with RTS CLOSER
 DOOR WEIGHT - 200Kg with FREE PIVOT



8066U
 WIND DOWN 15MM UPPER
 PIVOT ASSEMBLY



CD 58
 15MM UPPER PIVOT ASSEMBLY WITH COVER



PT 25
 M8 THREADED 15MM UPPER PIVOT