





FIXING INSTRUCTIONS
Technical Data RMZ

Input:	230 V AC +10%/-15%
	120 mA/28 VA / 50 Hz
Output:	24 V DC /460 mA / 11 W
Type of protection:	IP 30
Protection class:	II
Smoke switch:	24 V DC/50 mA
Temperature:	-20°C/+60°C

- **Work on electrical equipment and systems may only be performed by properly trained specialist personnel.**
- **Check to ensure that the line power supply (230 V AC) has been disconnected and is no longer live.**
- **10 A/Bminiature circuit breaker must be provided in the supply circuit. This can also be used as the isolator for disconnecting the RMZ and making it dead.**
- **The power cable leading to the RMZ must be properly secured to ensure effective strain relief.**
- **he power cable (NYM) conductor cross section should not be greater than max. 1.5 mm². The PE conductor is not electrically utilised. The terminal (PE) should, however, be used where a PE conductor is provided.**
- **The RMZ smoke detector should only be installed as a lintel-mounted unit, and should only be commissioned once firmly fixed to the wall.**
- **Fire/smoke detectors controlling hold-open systems must not be used to actuate any further alarm devices (e.g. fire alarm transmission systems). **¹⁾
- **If the optional alarm module is installed, the cable connecting it to the smoke switch must be led over and across the measurement chamber in order to ensure that smoke penetration is in no way hindered.**

- ① RMZ smoke detector
 ② Electro-magnetic hold-open device
 ③ RM smoke detector
 ④ DORMA HT manual release pushbutton for hold-open devices – mandatory for hold-open electro-magnets and free-swing door closers; otherwise optional.
 This pushbutton must not be concealed by the door when in its hold-open position. 


a Installation arrangement of the RMZ lintel-mounted smoke detector for applications where the bottom surface of the ceiling is less than 1 m above the bottom edge of the lintel on one or both sides of the door. ¹⁾
 See separate sheet for associated connection diagrams.

b If the bottom surface of the ceiling is more than 1 m above the bottom edge of the lintel on one or both sides of the door, two ceiling-mounted smoke detectors must be installed in addition to the lintel-mounted detector. ¹⁾
 See separate sheet for associated connection diagrams.


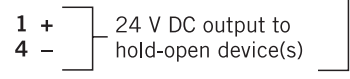
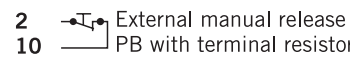
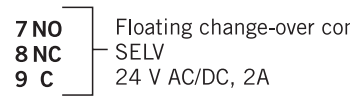
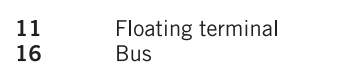
1 The RMZ lintel-mounted smoke detector is installed directly above the door opening (min. 10 mm). The vertical distance above the bottom edge of the lintel/transom must not be more than max. 0.1 m.

Mark and drill the fixing holes and the necessary cable lead-throughs for the 230 V power lead, hold-open device, ceiling-mounted detectors and manual pushbutton in accordance with the drilling template.

Install the necessary cabling.

2 In order to comply with protection class II  (total insulation), the 230 V power lead should be installed with double insulation up to the connection terminal. Remove cable insulation at the end. Break out the cable lead-through. Fit end caps and fix the RMZ smoke detector.

3 Terminal assignment

3		Connection of external detectors with terminal Resistor ²⁾	Total output rating max. 9.8 W
12			
14			
1 +		24 V DC output to hold-open device(s)	
4 -			
2		External manual release PB with terminal resistor ²⁾	
10			
7 NO		Floating change-over contact SELV 24 V AC/DC, 2A	
8 NC			
9 C			
11		Floating terminal Bus	
16			

²⁾ See connection diagrams

4 Connect hold-open device(s) to terminals.

Connect any ceiling-mounted detectors and/or manual pushbuttons – see connection diagrams. Terminal resistors must be properly installed!

Insert and connect smoke alarm module (option). The alarm module cannot be used if relay contacts 7, 8 and 9 are already in use.

Connect the power supply cable. Close the shock hazard protection cover and screw down.

¹⁾ Guidelines for hold-open systems issued by the Institute for Building Technology, Berlin. In countries outside Germany, consult local regulations.

5 Implementing the Reset mode

Automatic reset – Jumper in position “A” (as-delivered condition)

The RMZ smoke detector automatically resets following an alarm trip and as soon as there is no smoke or test gas in the smoke chamber. Status display returns to green.

Manual reset – Jumper in position “B”

A manual reset is mandatory


- in hold-open systems with automatic swing door operators, e.g. DORMA ED 200, CD 400 (in accordance with DIN 18263: Part 4, item 2.5)
- in emergency exit control systems (in accordance e.g. with IfBt Bulletin 5/983), item 3.1.4).

Status display flashes green as soon as there is no longer any smoke or test gas in the smoke chamber. Reset is performed by pressing the reset pushbutton. If the manual reset mode has been implemented, attach the enclosed RESET label to the RMZ casing.

- 6** Remove the red protective cap from the smoke detector unit.
Switch on power supply – status display should show green.


- 7** Clip on end cap trims and main cover.

8 Functional checks

-  **Ensure compliance with instructions for use and also the safety instructions provided on the test gas container and safety datasheet.**

Open door and engage hold-open device.
Spray test gas (Hekatron 918/5) from a distance of approx. 10-15 cm towards the smoke chamber. After approx. 4-6 short bursts, the status display should switch to alarm (red). If the RMZ is equipped with the RS alarm module (option), an audible alarm is also sounded.
The hold-open device is tripped and released, and the door closes.




- 9** Fit dust protection cover supplied so that dust is prevented from entering the smoke detector during any subsequent building or finishing work.

-  **If the dust protection cover is fitted, the unit must be disconnected from the power supply as the ventilation slots of the power pack are also covered. Prior to final commissioning, remove the dust protection cover and perform a further function check procedure as described in item 8.**




10 Function of the LEDs

LED on  LED off 


Status display LED 1 (green/red)


Standby: green 
Alarm: red 
Manual reset necessary: green flashing 
(see also item 5)

Service display LED 2 (yellow)


Servicing due: flashes 
Contamination: flashes 
Fault: continuous 

FINAL INSPECTION AND MAINTENANCE

-  See instruction sheet relating to the use and application of hold-open systems.

-  **If the RMZ lintel-mounted smoke detector is used in rooms with a high dust content, ensure compliance with the specified maintenance intervals. These may even have to be reduced in order to ensure that dust deposits in the detector do not give rise to nuisance tripping.**

FURTHER INFORMATION/REGULATIONS

-  Approval certificate
Instruction sheets relating to the use and application of hold-open systems.³⁾
Guidelines for hold-open systems³⁾ published by the Institute for Building Technology, Berlin, or equivalent national guidelines.

³⁾ Some documents are only printed in German as they refer exclusively to the German market.