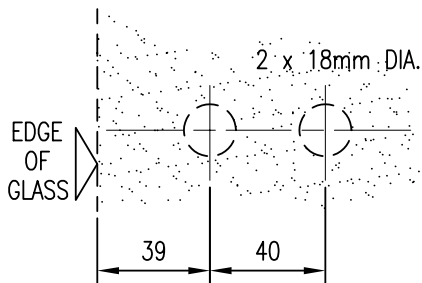
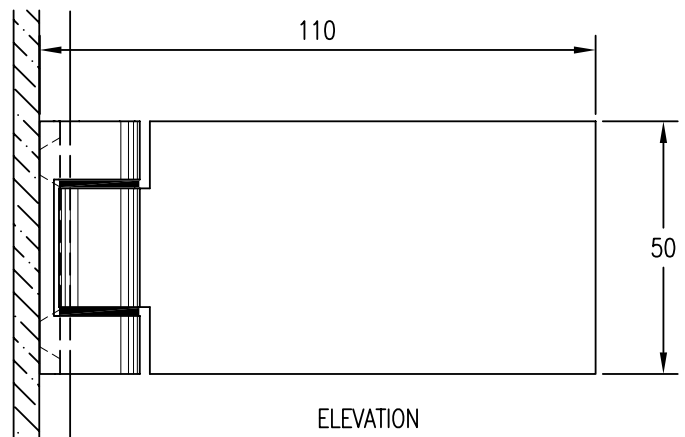
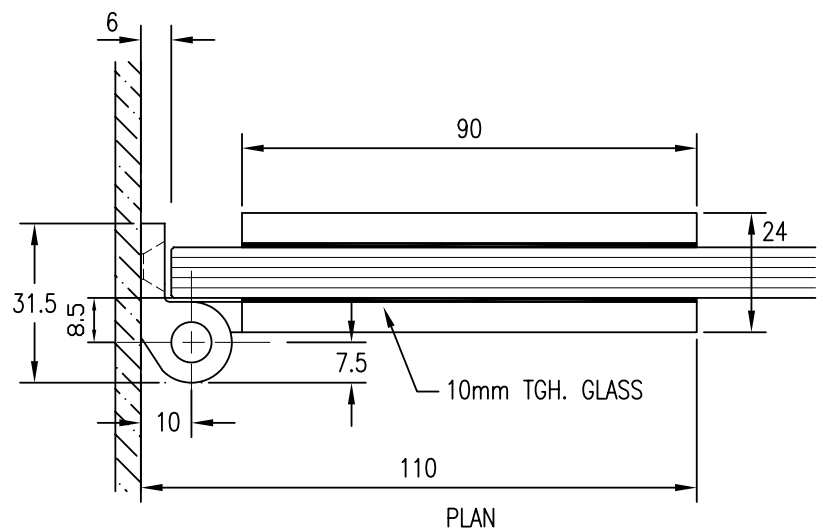
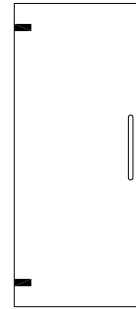
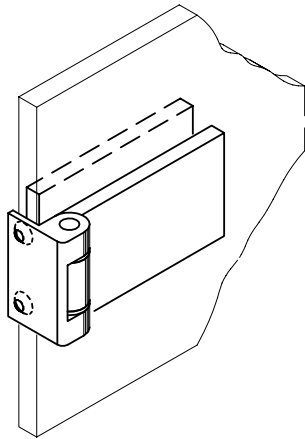


# HINGES

## CD 131-C



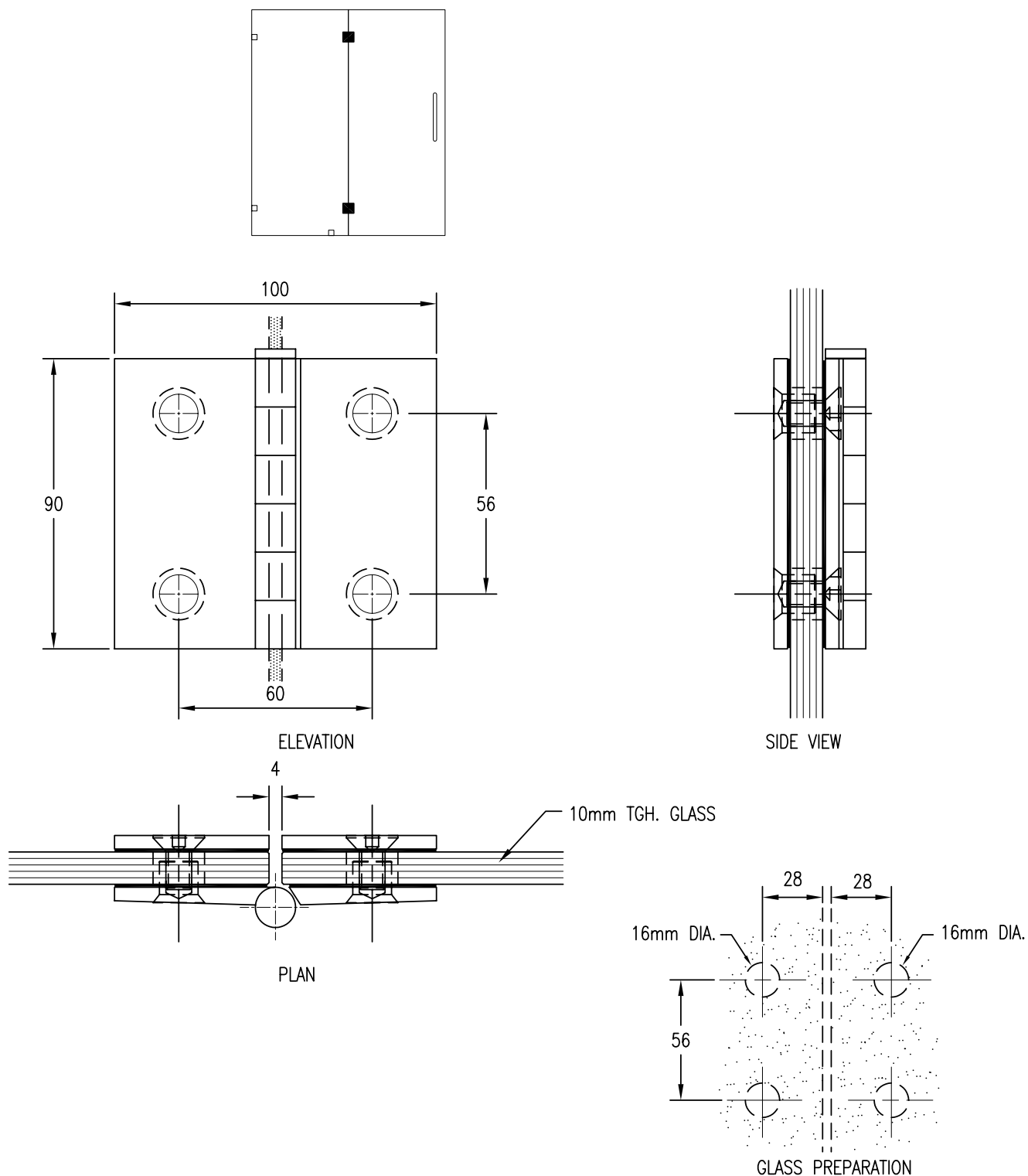
GLASS PREPARATION

CD 131-C SPECIFICATION: ON-EAZI Butt Type Patch Hinge for standard (2100 x 900) Glass Doors.  
 Suitable for glass thickness 8 or 10mm.  
 Note: Maximum door weight 50Kg.

**FINISHES**  
 ALUMINIUM: SAA, ASSS

# HINGES

## CD 212

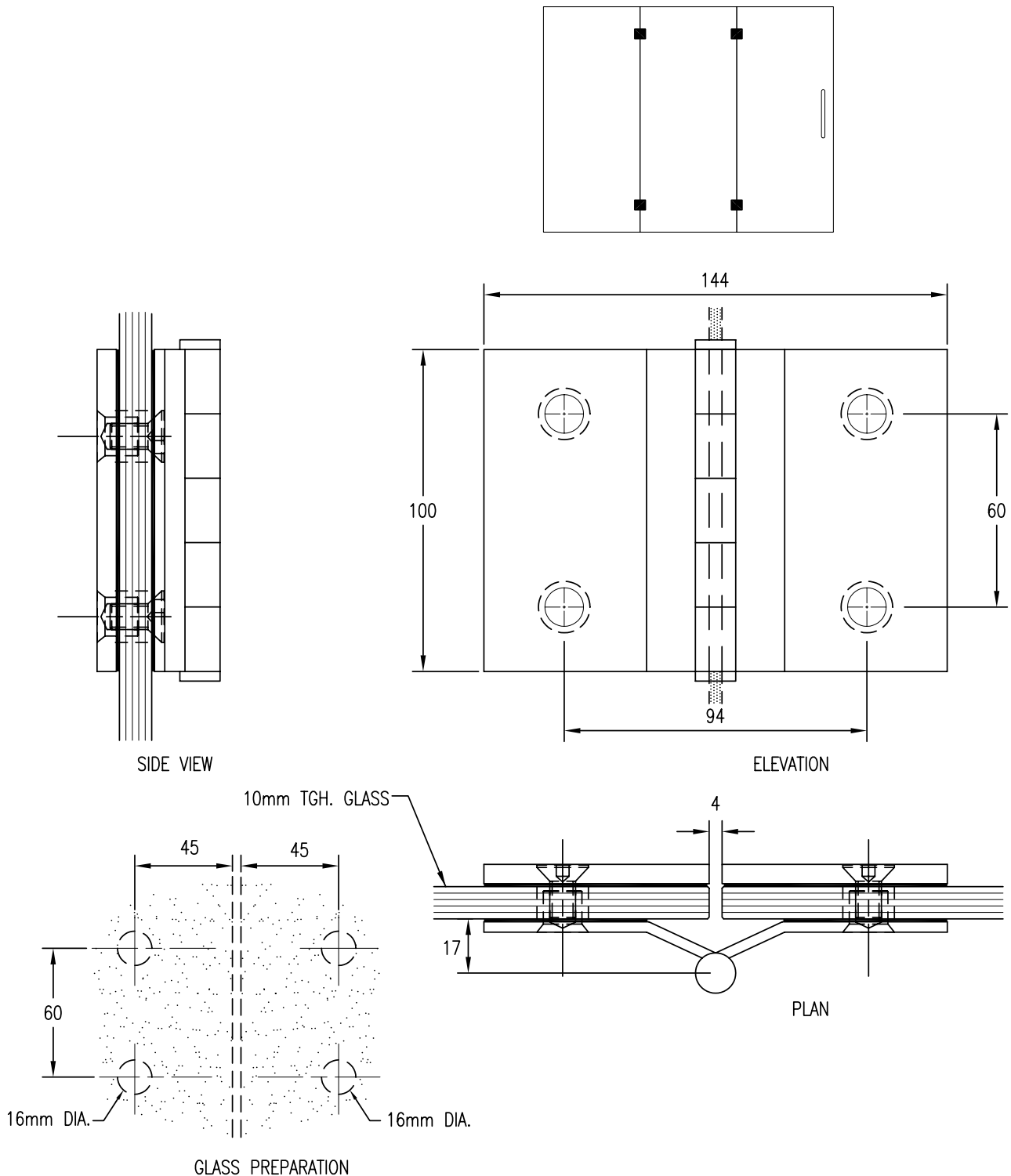


**CD 212 SPECIFICATION: ON-EAZI Butt Type Patch Hinge for "In-Line"**  
 Glass to Glass applications.  
 Manufactured from extruded Brass with Stainless Steel fixings  
 and loose pin.  
 Specify glass thickness 8, 10 or 12mm.  
 Note: Maximum door weight 45kg.

**FINISHES**  
 STAINLESS: SSS, PSS

# HINGES

## CD 212C



CD 212C SPECIFICATION: ON-EAZI Stainless Steel Butt Type Patch Hinge for "In-Line" applications with cranked main plate offsetting Pivot for Folding Doors.  
 Specify glass thickness 8, 10 or 12mm.  
 Note: Maximum door weight 75kg.

**FINISHES**  
 STAINLESS: SSS, PSS