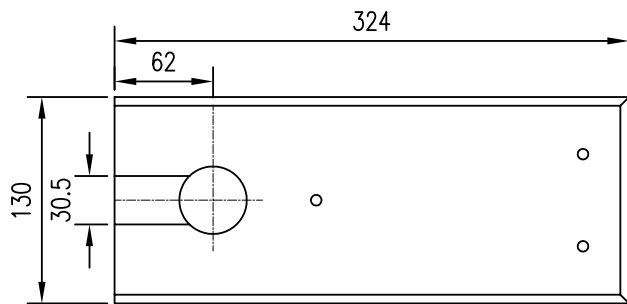
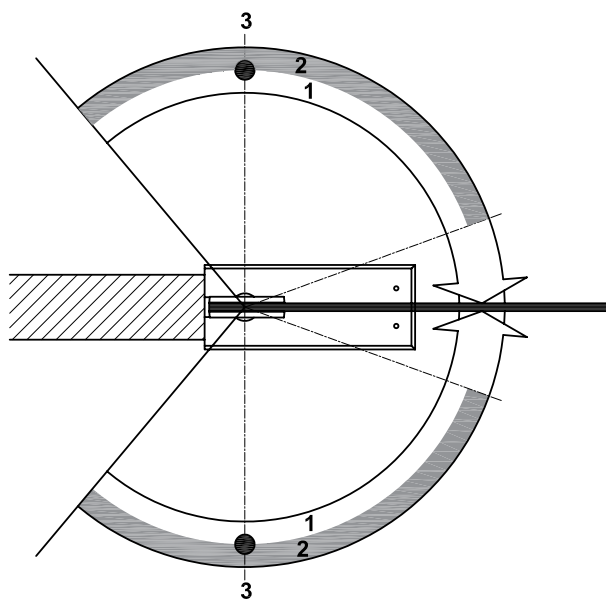
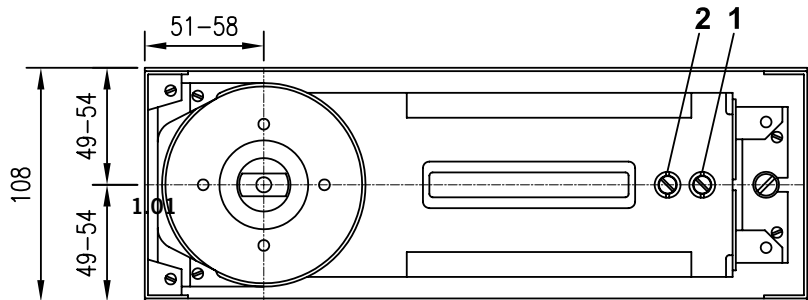
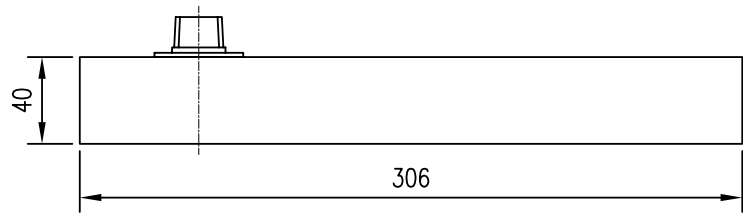
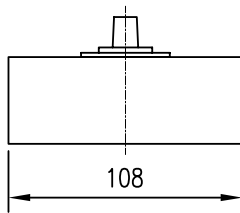
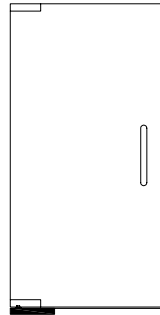


# DOOR CLOSERS

## BTS 84



8410 COVER PLATE

1. First adjusting closing range (130° - 0°)
2. Second adjusting closing range (130° - approx. 20°)
3. Fixed hold open at 90° (optional extra)

**\*\* Door opening angle maximum 130° on both sides.  
In the case of doors which can be opened further door stops must be used.**

BTS 84 SPECIFICATION: DORMA BTS 84 Floor Spring, suited to doors up to 100kg's in weight and 1100mm wide.

Specify: BTS 84 HO EN2 Spring Strength, Hold Open  
 BTS 84 NHO EN2 Spring Strength, Non Hold Open  
 BTS 84 HO EN4 Spring Strength, Hold Open  
 BTS 84 NHO EN4 Spring Strength, Non Hold Open

**8410 FINISHES**  
 STAINLESS: SSS, PSS