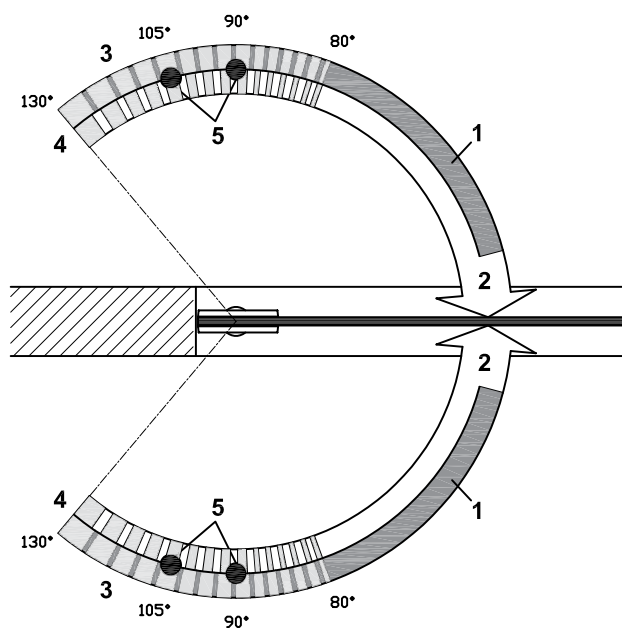
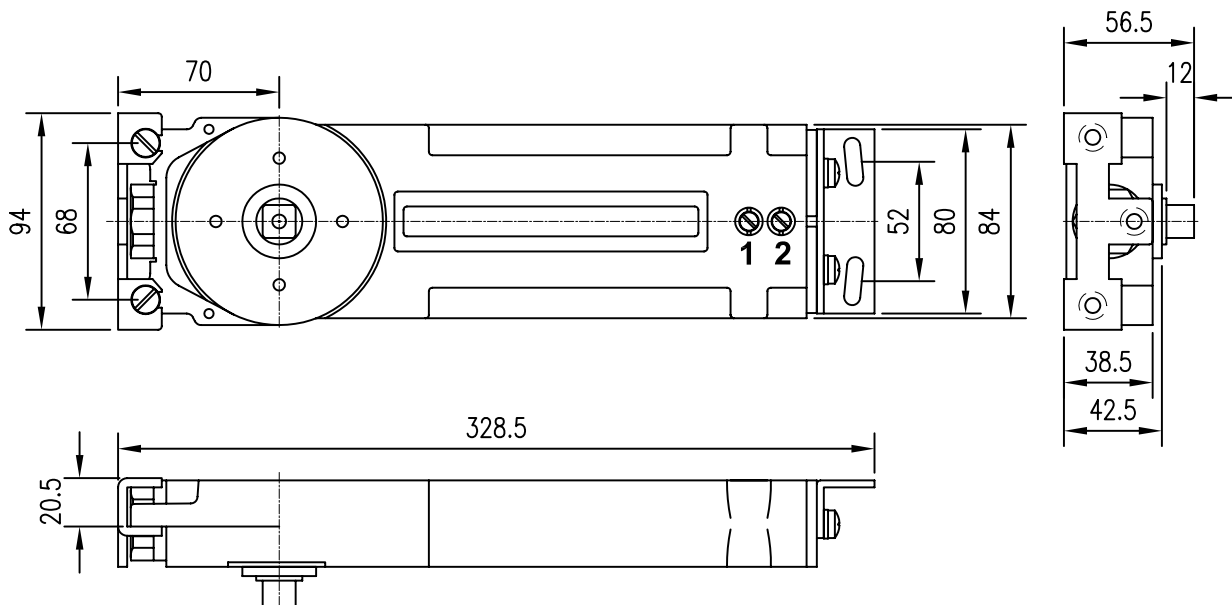
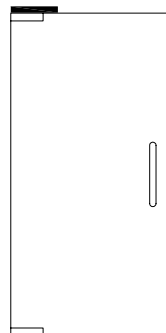


# DOOR CLOSERS

## RTS 85



1. Fully controlled closing with adjustable speed (130° to 20°)
2. Adjustable final closing (130° to 0°)
3. Progressive mechanical backcheck (80° to 130°)
4. Mechanical backstop\*\*
5. Hold-open points - depending on model (optional) 105° or 90°

\*\*Door opening angle maximum 130° on both sides. In the case of doors which can be opened further door stops must be used.

Specify:

- RTS85 HO - EN3 Spring Strength, Hold Open
- RTS85 NHO - EN3 Spring Strength, Non Hold Open
- RTS85 HO - EN4 Spring Strength, Hold Open
- RTS85 NHO - EN4 Spring Strength, Non Hold Open
- RTS85 HO - EN5 Spring Strength, Hold Open
- RTS85 NHO - EN5 Spring Strength, Non Hold Open

**RTS 85 SPECIFICATION**  
DORMA RTS 85 Transom  
Closer suited to doors up  
to 1250mm wide.