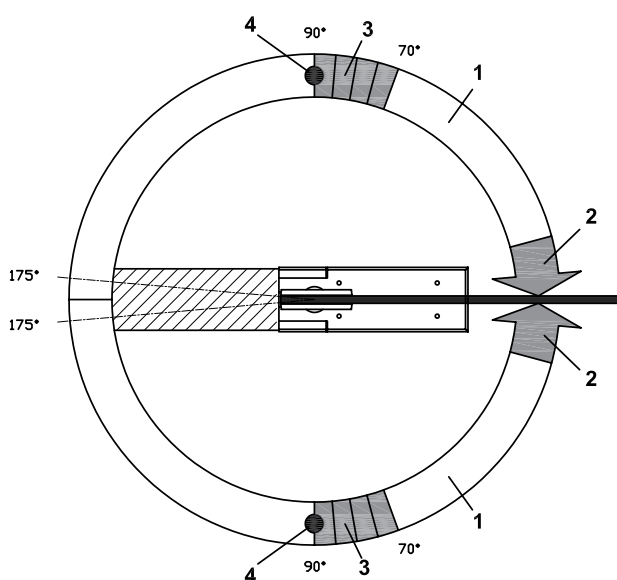
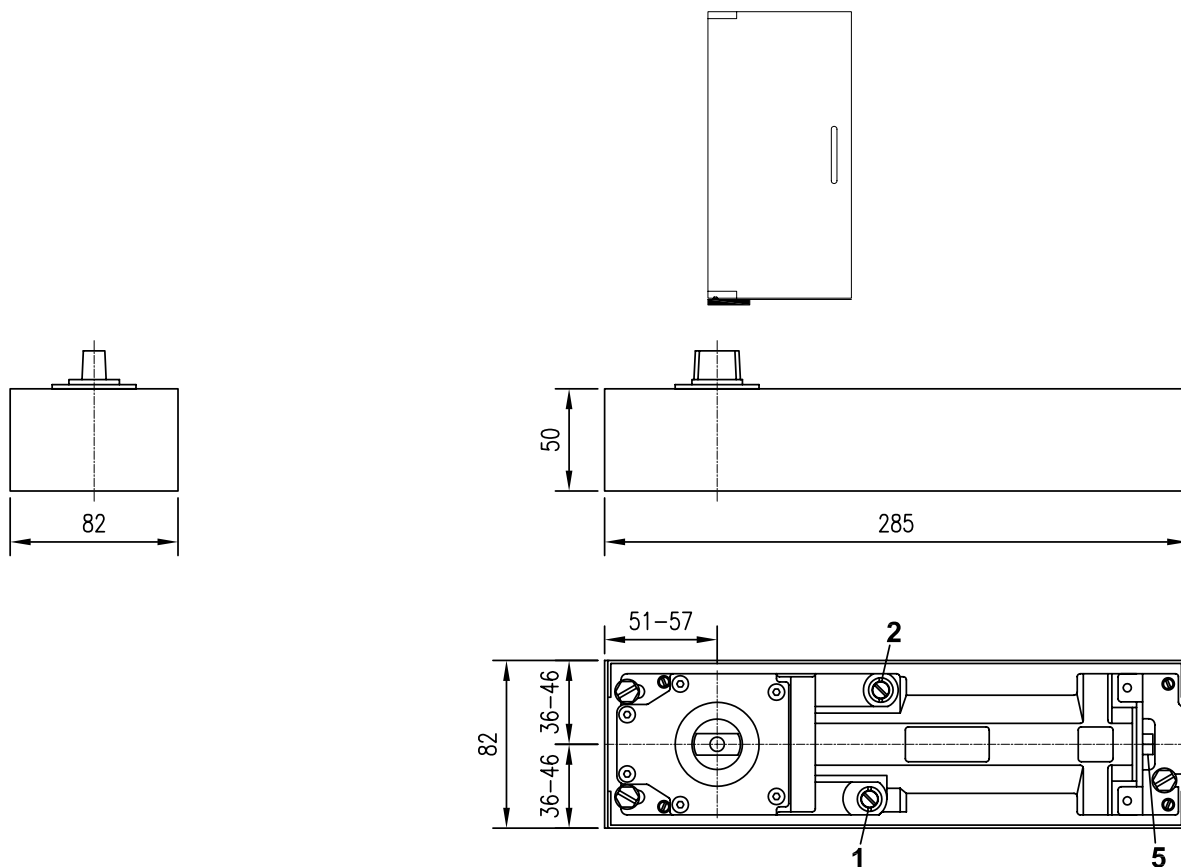
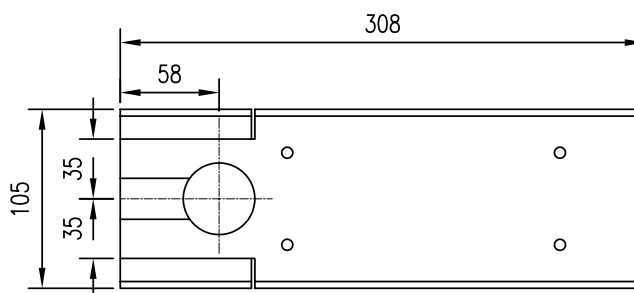


# DOOR CLOSERS

## BTS 75V



1. Adjustable closing speed in the range (175° - 15°)
2. Adjustable closing speed in the range (15° - 0°)
3. Mechanical backcheck (from approx. 70°)
4. Fixed hold-open at 90° (Optional extra)
5. Adjustable spring strength (EN1-4)



7510V COVER PLATE

BTS 75V SPECIFICATION: DORMA BTS 75V EN1-4 Variable Spring Strength Floor Spring, suited to doors up to 120kgs in weight and 1100mm wide.  
Specify: BTS 75V HO EN1-4 Spring Strength, Hold Open  
BTS 75V NHO EN1-4 Spring Strength, Non Hold Open

**7510V FINISHES**  
STAINLESS: SSS, PSS