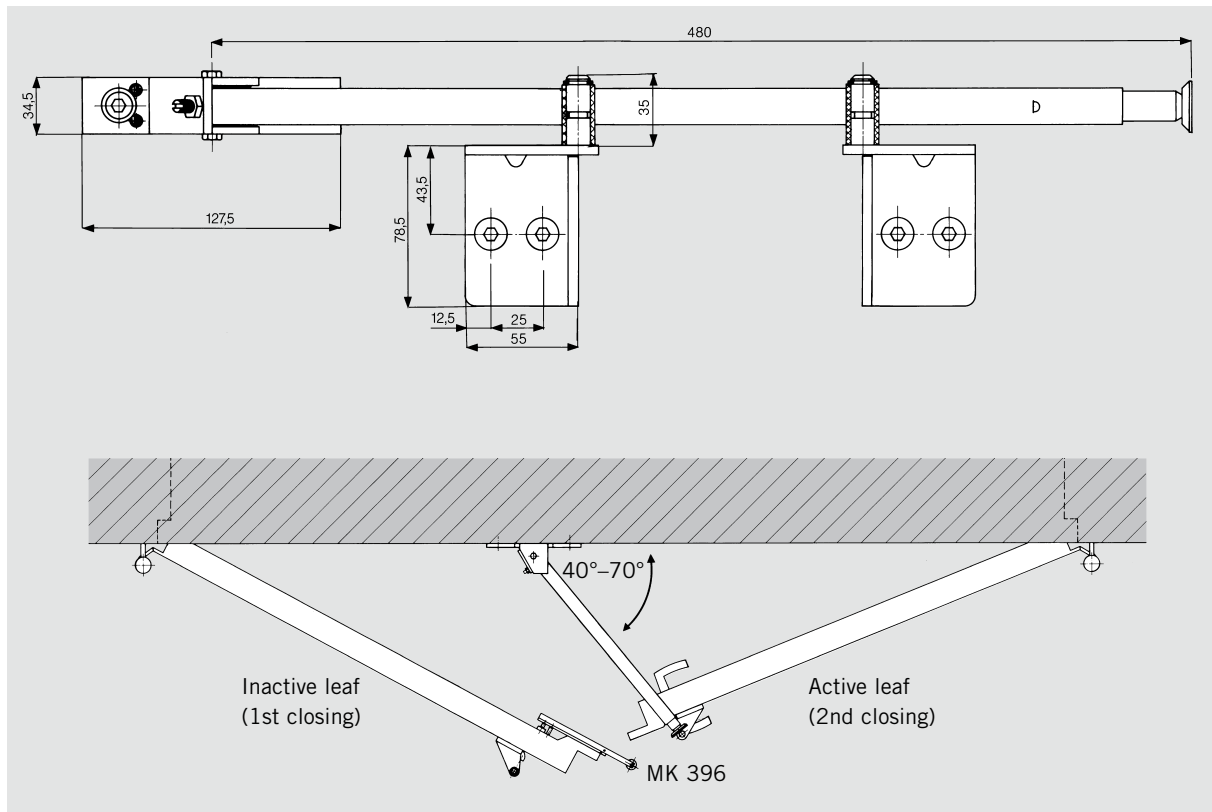




**SR**

**Door co-ordinators**

## DORMA SR 390 door co-ordinator, surface-installed



The DORMA SR 390 is a thoroughly proven, purely mechanical door co-ordinator for pairs of doors with rebated meeting stiles.

It is fixed to the door frame as a surface unit and is non-handed.

The DORMA SR 390 ensures the correct sequence of door closing.

Certified to ISO 9001.

### F Approval certification

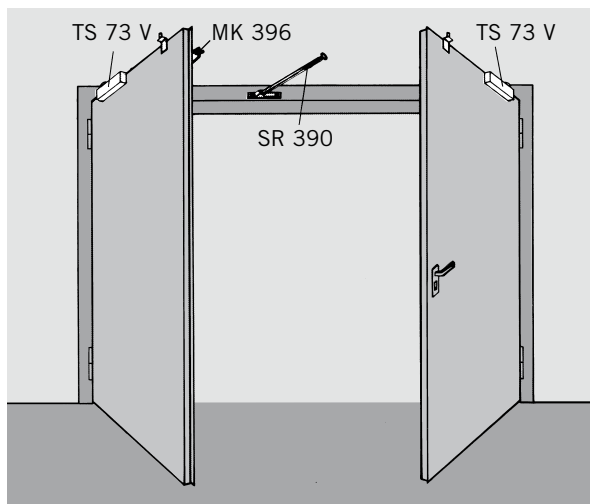
The DORMA SR 390 is approved by the State Material Testing Authority, Dortmund, in accordance with EN 1158 and carry the **CE** conformity mark.

It may be used in combination with fire doors for which a corresponding approval certificate has been obtained.

### Specification text

Door co-ordinator, non-handed, for frame fixing, with integral telescopic shock absorber and adjusting screws for tolerance compensation when installed, including fixing bracket and installation accessories.

Officially approved by the Institute for Building Technology, Berlin, for use with fire doors.



### Typical installation for the DORMA SR 390 door co-ordinator

in combination with a DORMA door closer (TS 83, TS 73, TS 59) and the DORMA MK 396 carry bar.

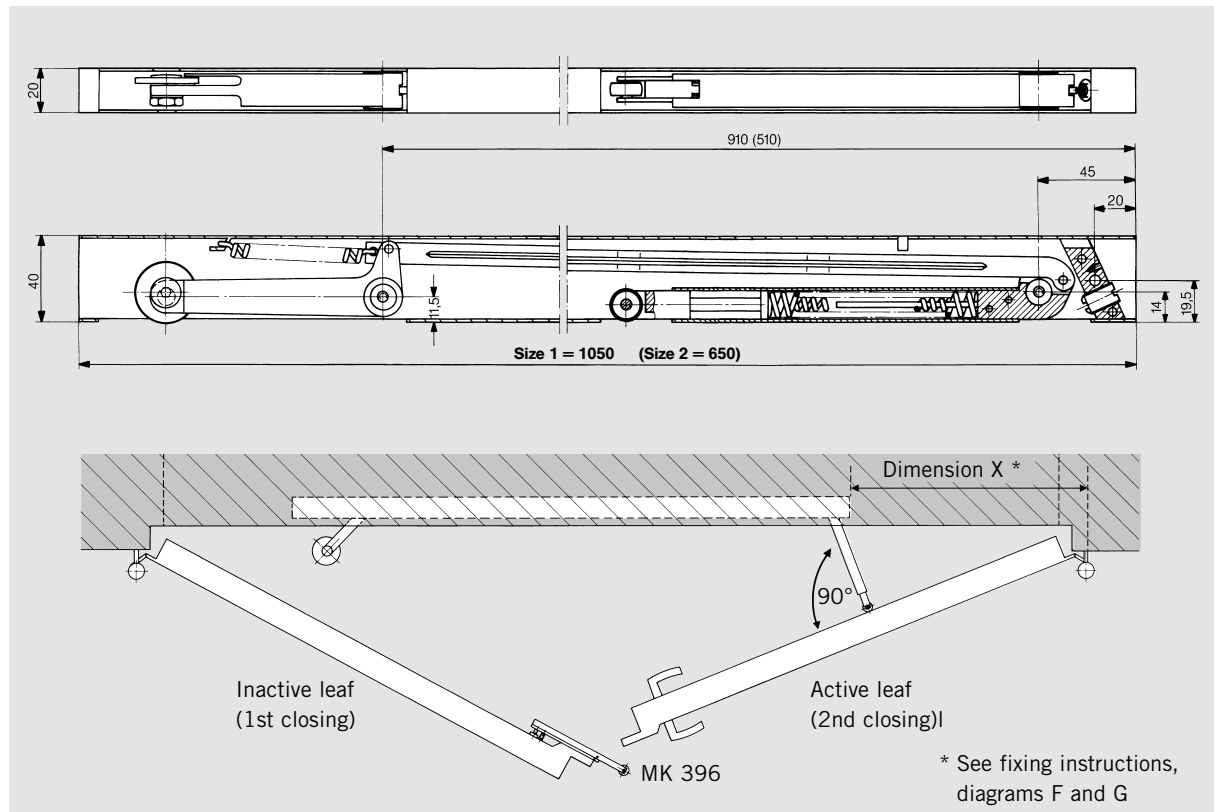
Also suitable for use in combination with DORMA BTS floor springs.

### Surface finish

- zinc-plated for steel doors
- zinc-plated and silver-plated for timber doors

**Make:** DORMA SR 390

## DORMA SR 392 concealed door co-ordinator



The DORMA SR 392 is a co-ordinator for pairs of doors with rebated meeting stiles. It is installed so that it is concealed either in the lintel or below the door frame. It is non-handed and is suitable for combinations of unequal door leaves. The correct closing sequence

of the door leaves is always ensured by the holding arm (active leaf) and the release roller (inactive leaf).

Certified to ISO 9001.

### F Approval certification

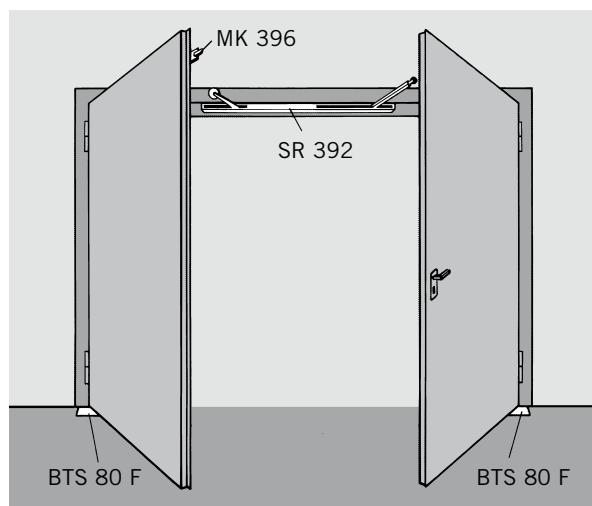
The DORMA SR 392 is approved by the State Material Testing Authority, Dortmund, in accordance with EN 1158 and carry the **CE** conformity mark.

It may be used in combination with fire doors for which a corresponding approval certificate has been obtained.

### Specification text

Concealed non-handed door co-ordinator with integral telescopic shock-absorber, screw for adjusting the holding arm and adjusting eccentric-mounted release roller.

Officially approved by the Institute for Building Technology, Berlin, in conjunction with fire doors.



### Typical installation for the DORMA SR 392 door co-ordinator

in combination with a DORMA BTS 80 F floor spring and a DORMA MK 396 carry bar. Combination with DORMA door closers (TS 83, TS 73, TS 59) also possible.

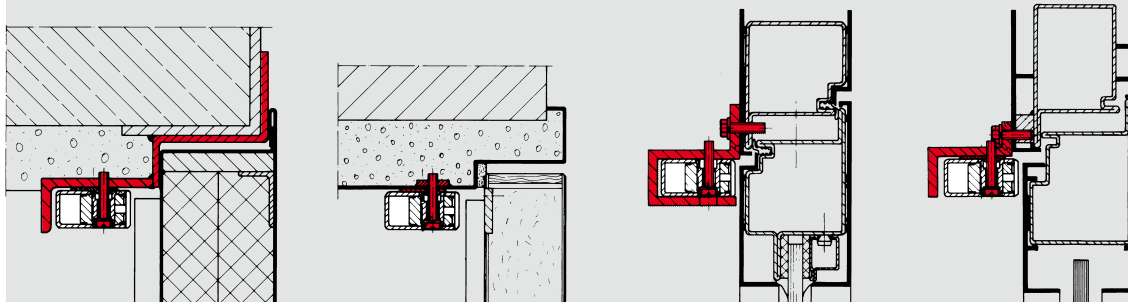
For installation variations and sizes, see page 4

### Surface finish

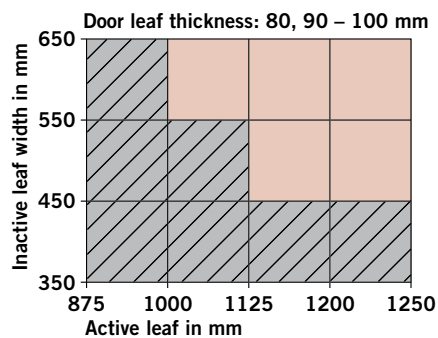
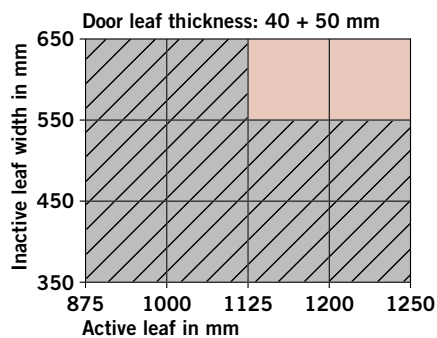
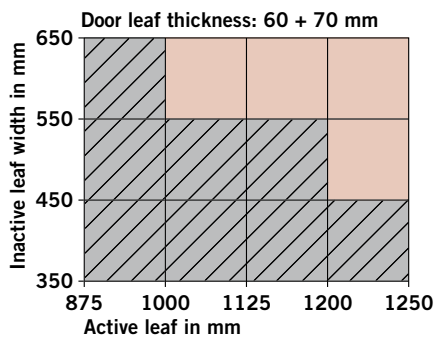
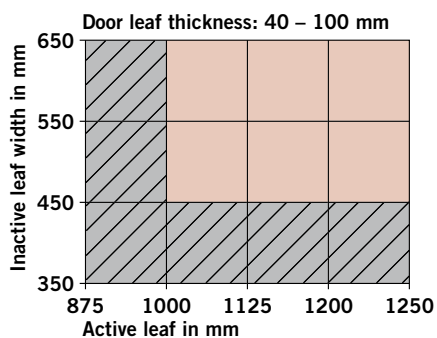
- Size 1 zinc-plated, length 1050 mm (door leaf width greater than 800 mm)
- Size 2 zinc-plated, length 650 mm (door leaf width less than 800 mm)

**Make:** DORMA SR 392

Installation examples for the DORMA SR 392 door selectors



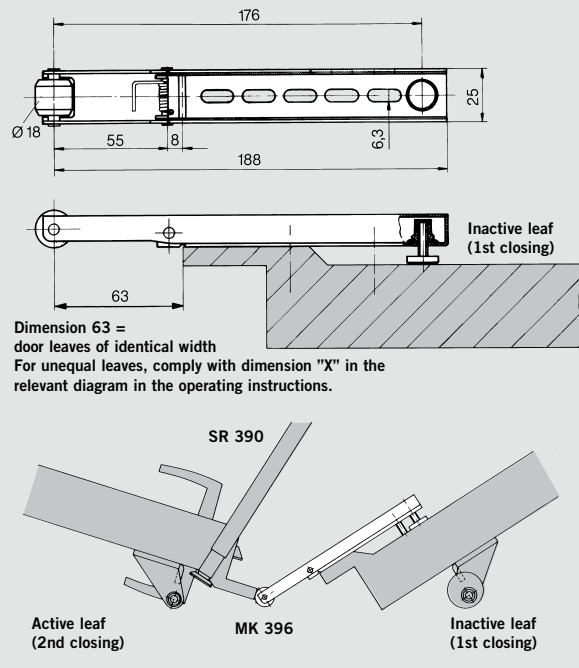
Determining the co-ordinator sizes for different door leaf widths



Size 1 = 1050 mm long    Size 2 = 650 mm long

If choice is exactly between 1 and 2 choose 2.

## Carry bar DORMA MK 396



**DORMA MK 396 carry bar  
for double doors in  
combination with DORMA  
door co-ordinators.**

If a double door is opened  
at the inactive leaf, the carry  
bar mounted on that leaf  
opens the active leaf far

enough for the holding arm  
of the co-ordinator to ensure  
the correct closing sequence  
of the doors.



**Door Control**



**Automatic**



**Glass Fittings  
and Accessories**



**Security/Time  
and Access (STA)**



**Movable Walls**

**Door Control Division worldwide**

**Central Europe**

DORMA GmbH + Co. KG  
DORMA Platz 1  
D-58256 Ennepetal  
Tel. +49 2333 793-0  
Fax +49 2333 793-495

**Australasia**

DORMA Door Controls Pty. Ltd.  
46-52, Abbott Road  
Hallam/Victoria 3803  
Australia  
Tel. +61 3979 63555  
Fax +61 3979 63955

**China/Hong Kong**

DORMA Door Controls  
(Suzhou) Co. Ltd.  
No. 9, Hong Feng Road  
Suzhou Singapore Industrial Park  
Suzhou, 215021  
P.R. of China  
Tel. +86 512 67612481  
Fax +86 512 67614582

DORMA Door Controls Pte. Ltd.  
Room 701, Technology Plaza  
651 King's Road  
North Point  
Hong Kong  
Tel. +852 25034632  
Fax +852 28875370

**Emerging Markets**

DORMA GmbH + Co. KG  
DORMA Platz 1  
D-58256 Ennepetal  
Tel. +49 2333 793-0  
Fax +49 2333 793-495

DORMA Door Controls (Pty.) Ltd.  
Kings Court  
4A Mineral Crescent  
ZA-2000 Crown/Gauteng  
South Africa  
Tel. +27 11 8300280  
Fax +27 11 8300291

**Far East**

DORMA Far East Pte. Ltd.  
No. 31 Gul Lane  
Singapore 629425  
Tel. +65 6268 7633  
Fax +65 6265 7995

**France**

DORMA France S.A.S.  
Europarc  
42, rue Eugène Dupuis  
F-94046 Créteil  
Tel. +33 1 41942400  
Fax +33 1 41942401

**Gulf**

DORMA Gulf Door Controls FZE  
Jebel Ali Free Zone South  
Plot No. S 20135  
Road No. SW 301 G  
P.O. Box 17268  
Dubai – United Arab Emirates  
Tel. +971 4 8020400  
Fax +971 4 8869100/8869101

**North America**

DORMA Architectural Hardware  
DORMA Drive, Drawer AC  
Reamstown, PA 17567-0411  
Tel. +1 800 5238483  
Fax +1 800 2749724

**Scanbalt**

DORMA Sverige AB  
F O Petersens Gata 24  
SE-421 31 Västra Frölunda  
Tel. +46 31 289520  
Fax +46 31 281739

**South America**

DORMA Sistemas de Controles  
para Portas Ltda.  
Av. Piracema, 1400  
Centro Empresarial Tambore  
CEP 06400-933 Barueri/  
São Paulo, Brasil  
Tel. +55 11 46899280  
Fax +55 11 46899215

**South-East Europe**

DORMA AUSTRIA GmbH  
Pebering Strass 22  
A-5301 Eugendorf  
Tel. +43 6225 284880  
Fax +43 6225 28491

**South Europe**

DORMA Italiana S.r.l.  
Via. Canova 44/46  
I-20035 Lissone (MI)  
Tel. +39 039 244031  
Fax +39 039 24403310

DORMA Ibérica, S.A.  
Camino San Martin de la Vega, 4  
E-28500 Arganda del Rey  
(Madrid)  
Tel. +34 91 8757850  
Fax +34 91 8757881

**UK/Ireland**

DORMA UK Ltd.  
Wilbury Way  
Hitchin  
GB-Hertfordshire SG4 0AB  
Great Britain  
Tel. +44 1462 477600  
Fax +44 1462 477601