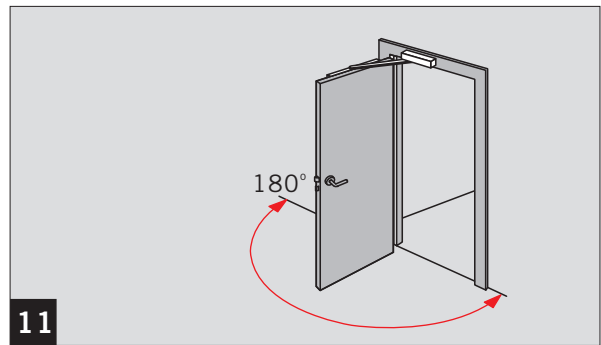
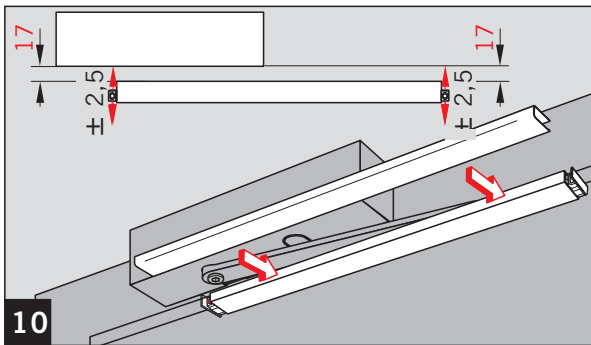
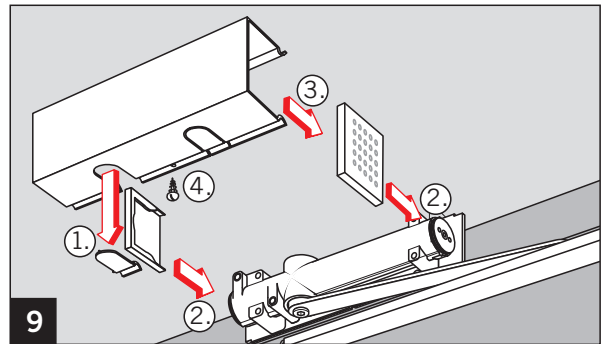
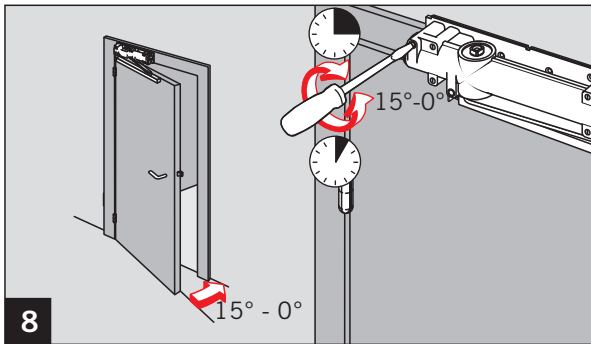
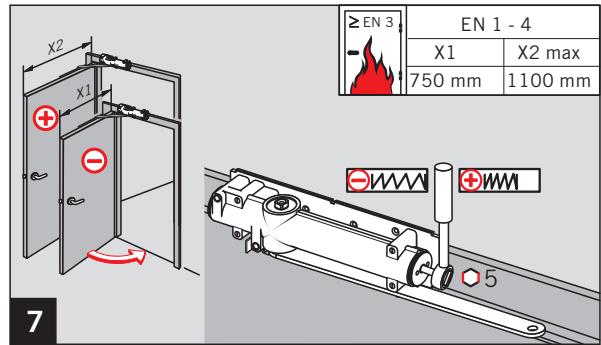
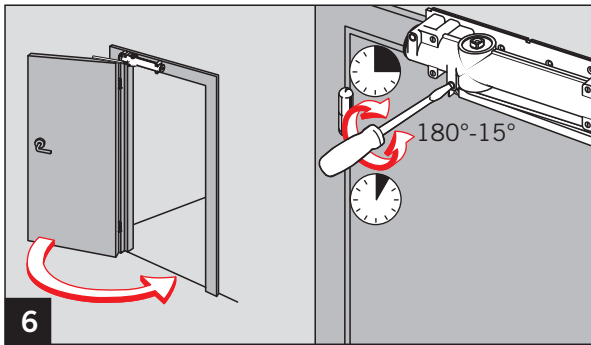
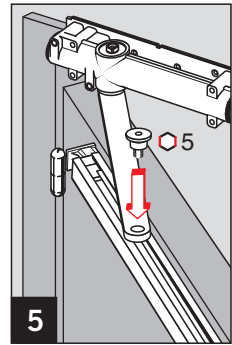
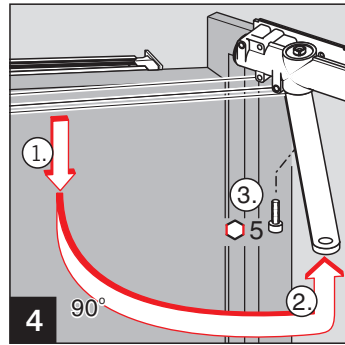
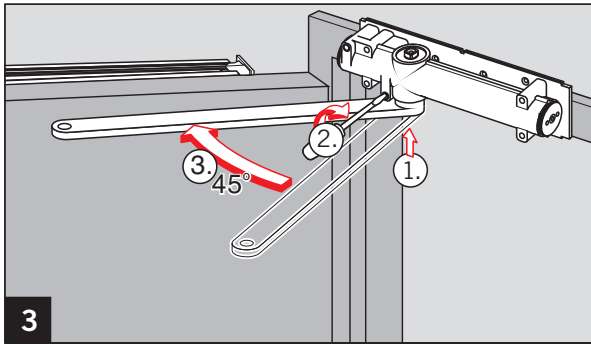
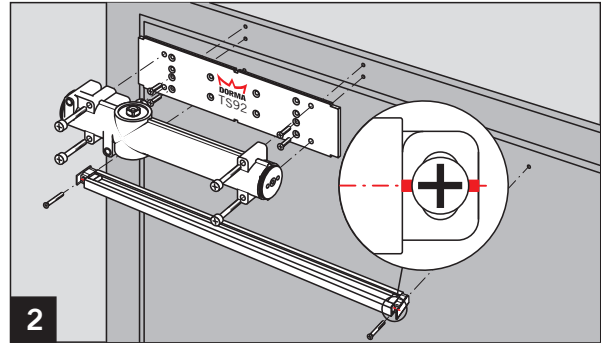
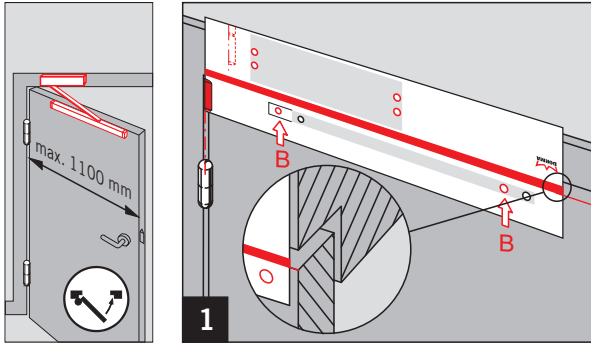
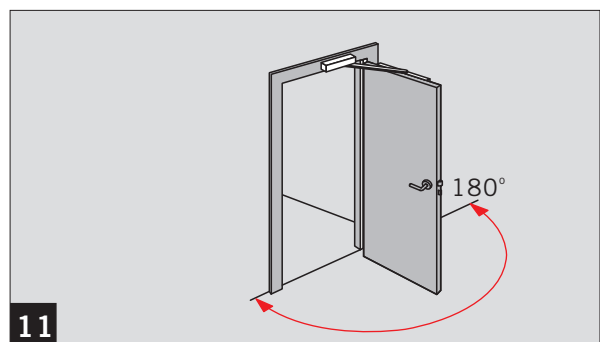
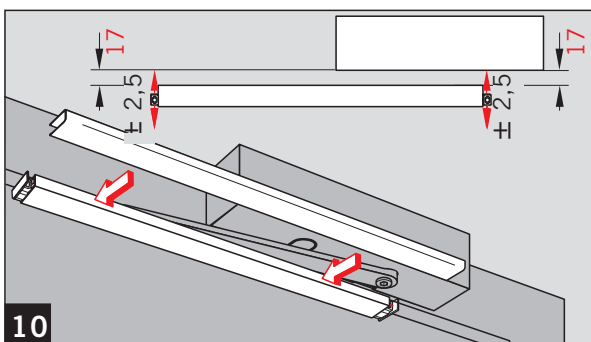
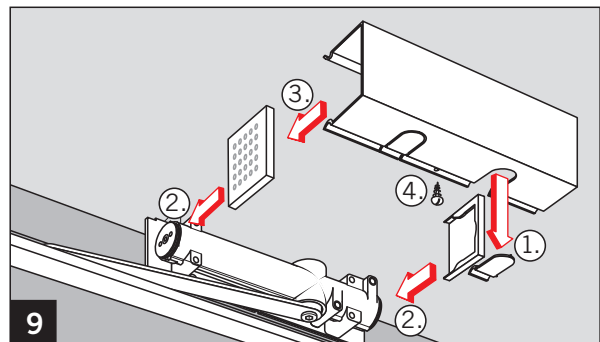
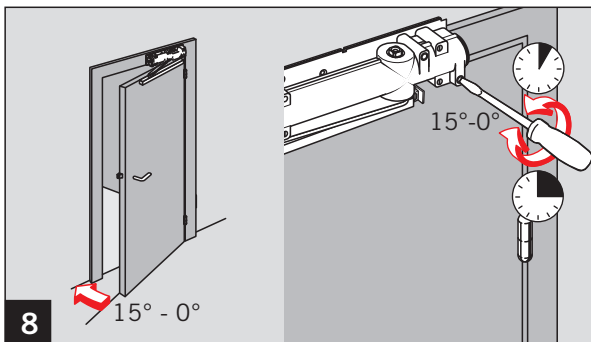
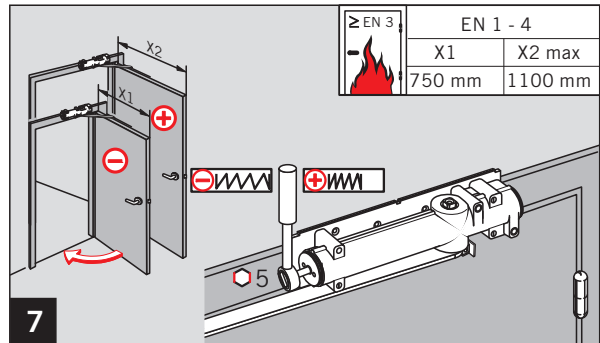
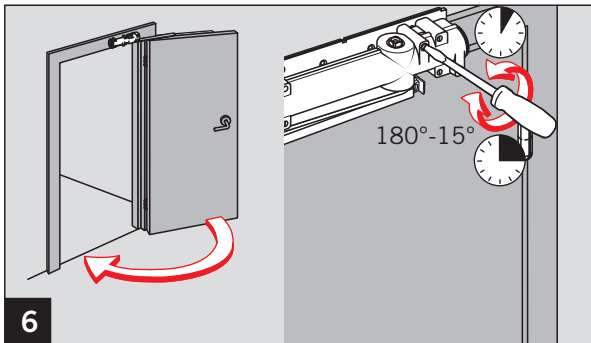
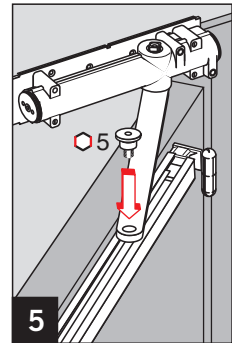
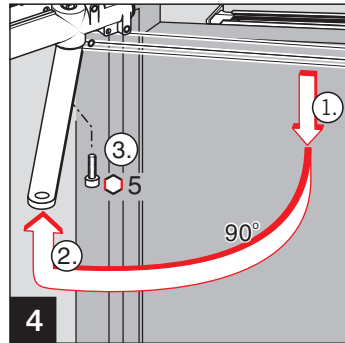
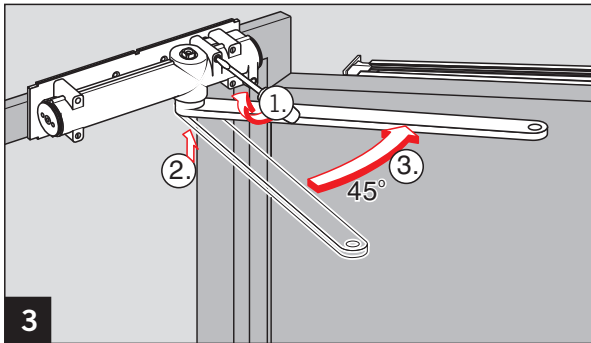
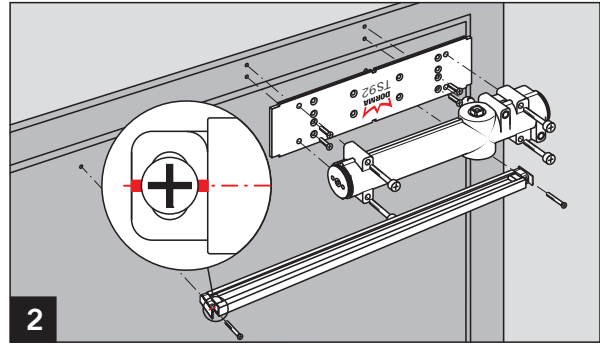
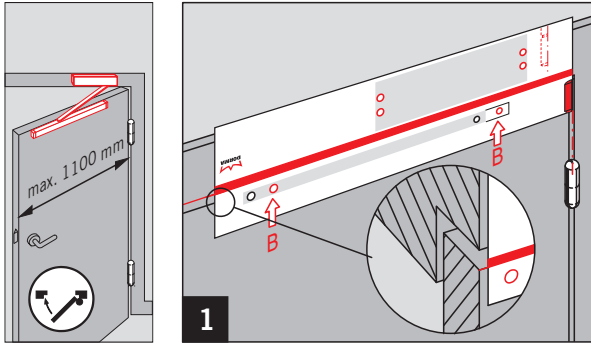
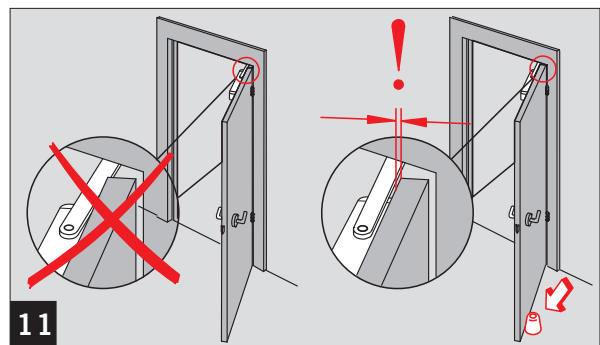
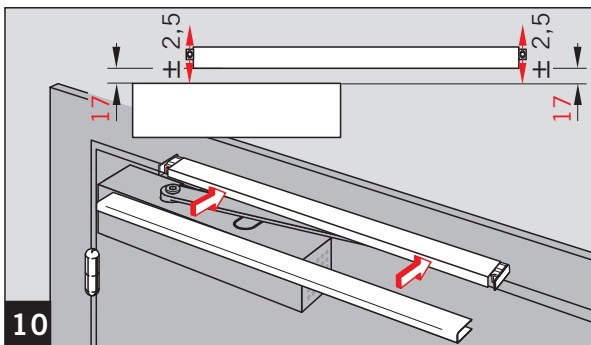
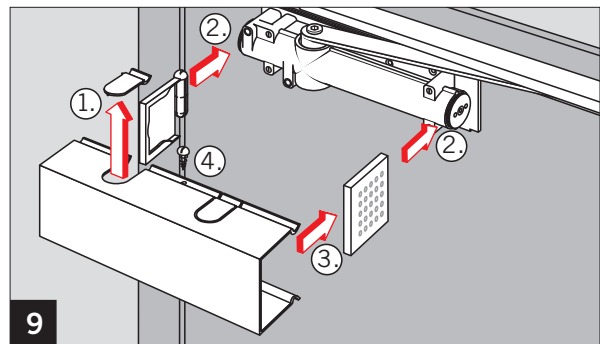
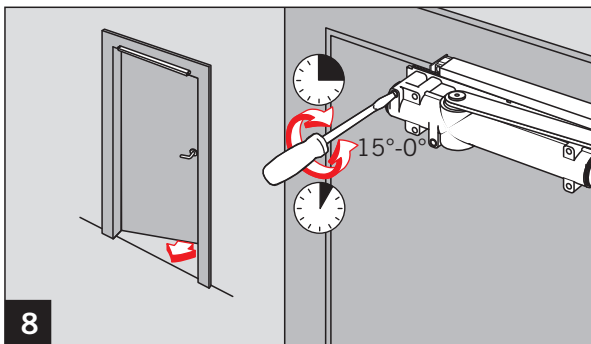
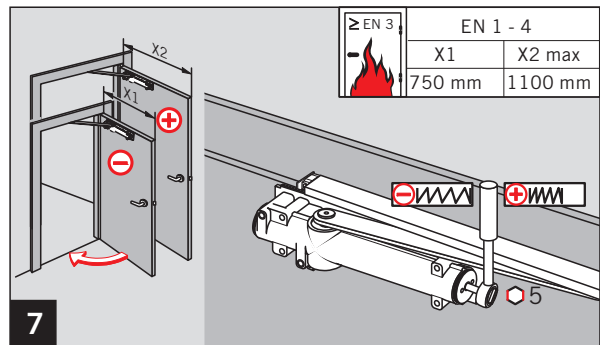
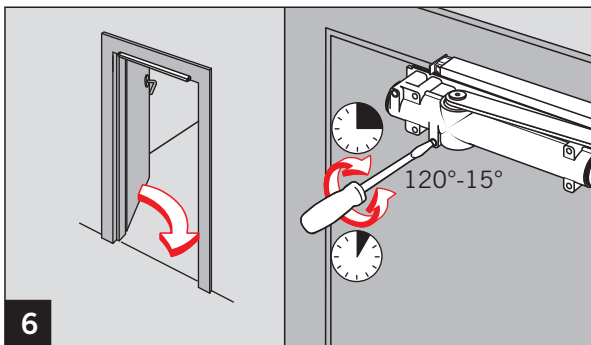
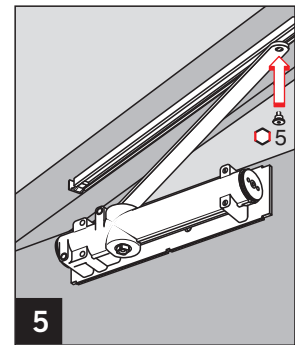
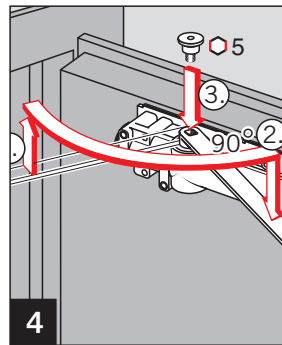
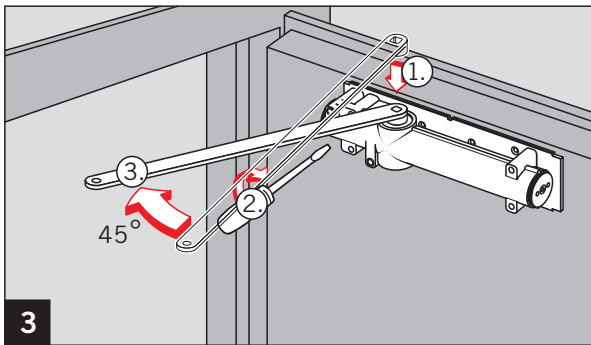
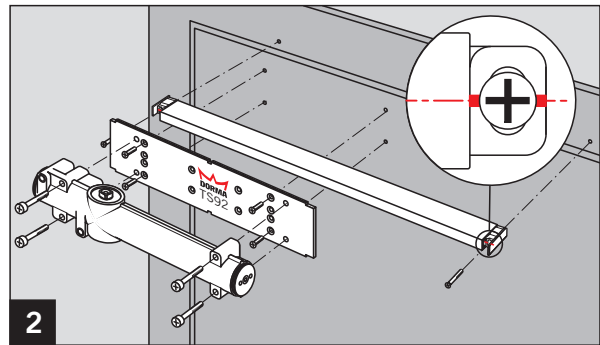
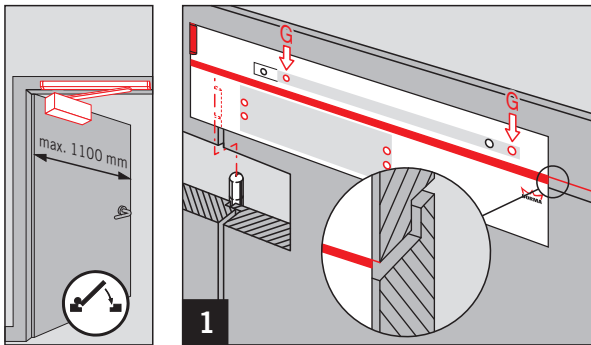


WN 056602 45532, 04/13

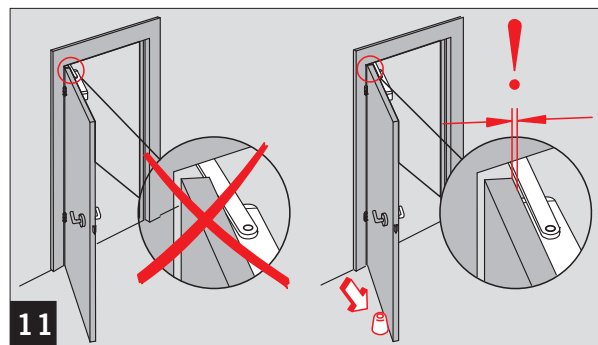
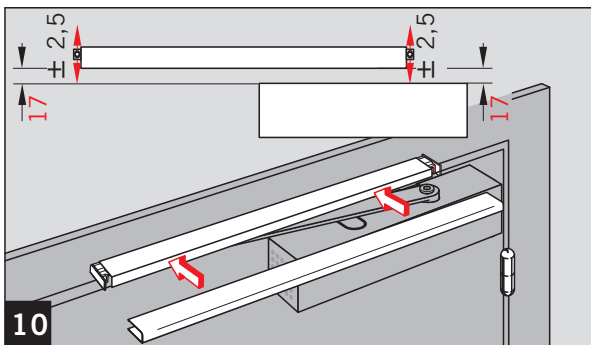
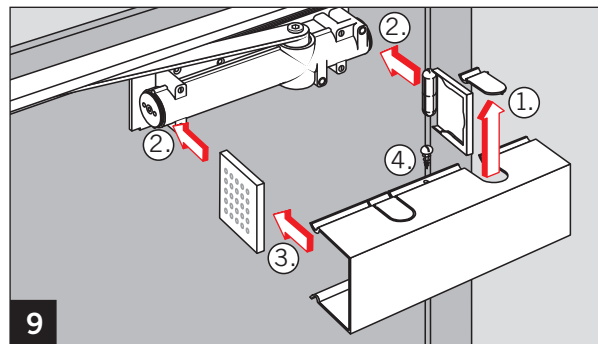
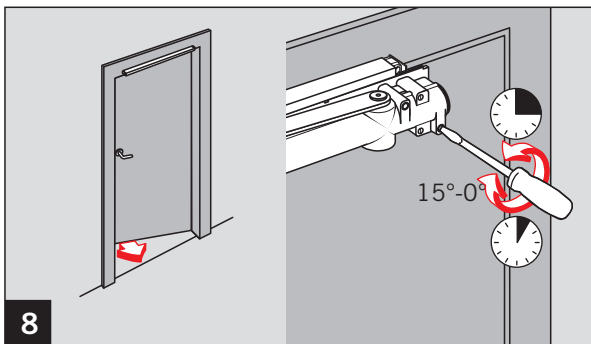
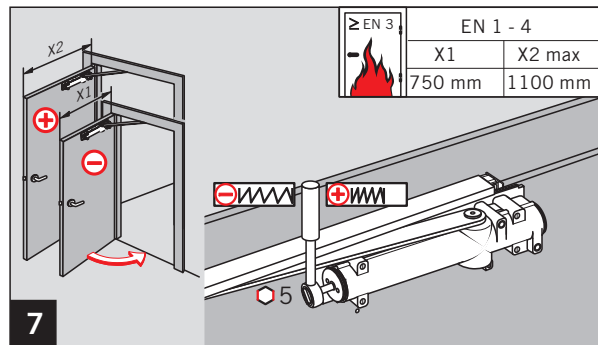
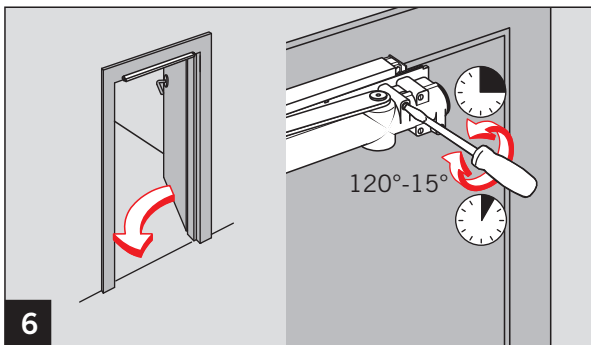
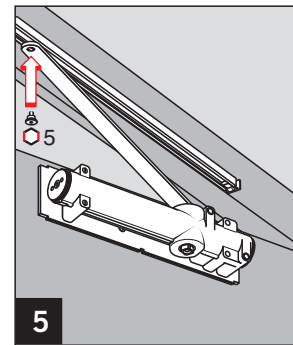
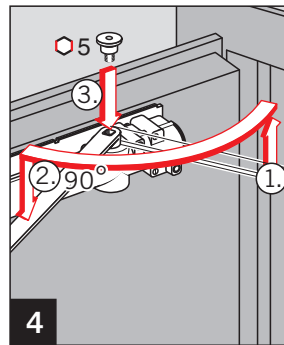
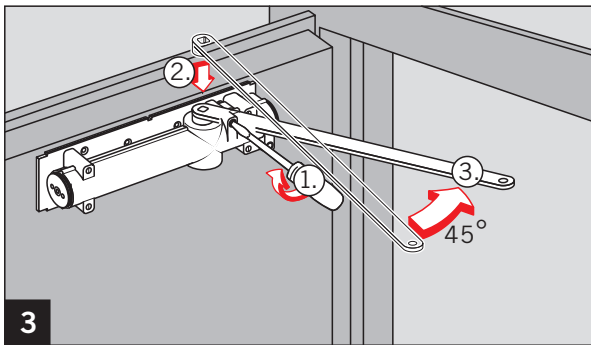
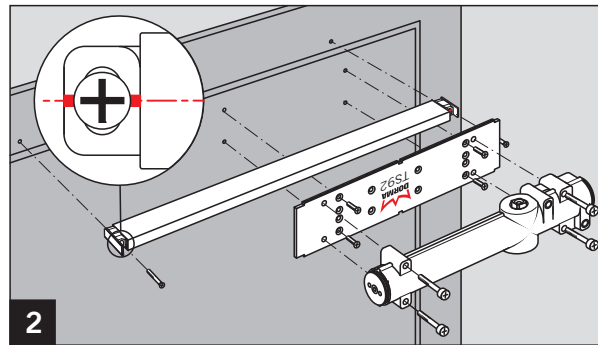
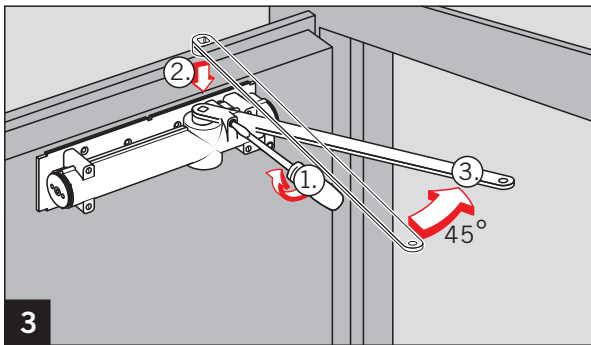
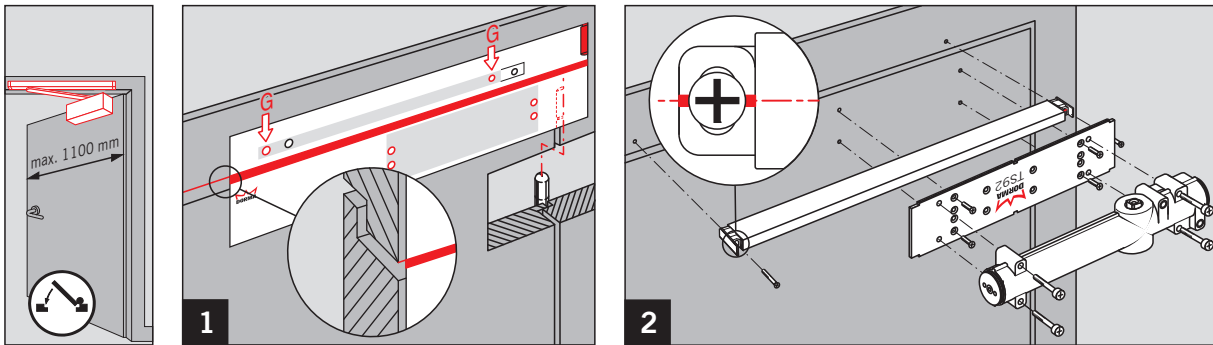


|                                      |                     |       |           |  |
|--------------------------------------|---------------------|-------|-----------|--|
|                                      | DORMA GmbH + Co. KG |       | 13        |  |
|                                      | Postfach 4009       |       | 1 1 1 1 3 |  |
| 58 247 Emmetal                       |                     | 4 8 4 |           |  |
| 0432 - BPR-0051 EN 1154:1996+A1:2002 |                     | 4 8 4 |           |  |
| Dangerous substances: None           |                     |       |           |  |





# TS 92 G EN 1-4



| EN 3 | EN 1 - 4 |         |
|------|----------|---------|
|      | X1       | X2 max  |
|      | 750 mm   | 1100 mm |

Änderungen vorbehalten  
Subject to change without notice