



## Applications:

High quality guard for high security applications including remote sites within the utility and infrastructure sectors.

Security and access control for enclosures, including:

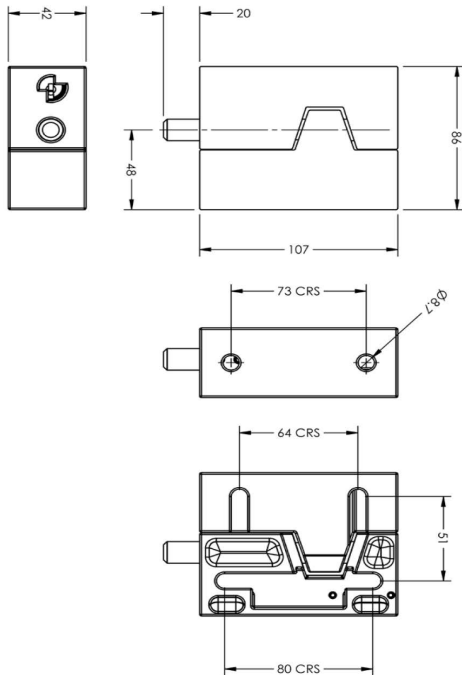
- Telecommunication cabinets
- Roadside cabinets & enclosures
- Infrastructure enclosures
- Utility enclosures
- Rail and Track-side enclosures/cases/cabinets
- Site storage containers
- Security doors
- Mesh cages
- Security kiosks
- Containers
- Portable buildings

## Features:

- 98 mm Solid stainless steel body
- 13 mm stainless steel locking bolt
- Key retained when unlocked, ensures device is not left open
- Successful history, tried and tested by various third parties

## Available systems:

- Kaba 20
- quattro plus
- expert & expert plus



dormakaba UK & Ireland  
Lower Moor Way  
Tiverton  
Devon  
EX16 6SS

T: +44 (0)870 000 5625  
E: [info.gb@dormakaba.com](mailto:info.gb@dormakaba.com)