

MUTO COMFORT MUTO PREMIUM

—

Installation instructions

MUTO COMFORT / MUTO PREMIUM

Sealing system

Contents

1.	Profile overview	3
2.	Use of the profiles	3
3.	Installation situations.....	4
3.1	MUTO Comfort L 80	4
3.2	MUTO Premium XL 80/150 / MUTO Premium Self-Closing 120.....	5
3.3	MUTO Premium Telescopic 80	6
3.4	Tubular seal	7
4.	Mounting the brush holder profile and brush	8
5.	Mounting the tubular seal.....	10

All dimensions in these instructions are given in mm.

MUTO COMFORT / MUTO PREMIUM

Sealing system

1. Profile overview



Tubular seal (for doors closing against a wall or for double panel systems)



Brush holder profile

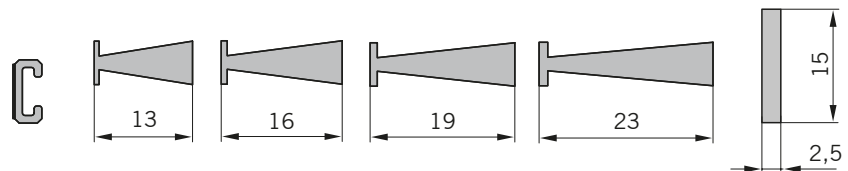


Brush



Flat aluminum (by client)

2. Use of the profiles



MUTO Comfort L 80					
Fixed at wall	X	X			X
Fixed at ceiling	X		X		
Fixed at ceiling with glass side panel(s)	X		X		
Fixed at glass with glass side panel(s)	X		X		
MUTO Premium XL 80/150					
MUTO Premium Self-Closing 120					
Fixed at wall	X		X		X
Fixed at ceiling	X			X	
Fixed at ceiling with glass side panel(s)	X			X	
Fixed at glass with glass side panel(s)	X			X	
MUTO Premium Telescopic 80					
Fixed at wall and ceiling					
glass thickness: 8–10 mm	2X	X		X	X
glass thickness: 10–12 mm	2X	X		X	X
glass thickness: 12–13.5 mm	2X	X		X	X
Fixed at ceiling with glass side panel(s)					
glass thickness: 8–10 mm	2X		X	X	
glass thickness: 10–12 mm	2X		X	X	
glass thickness: 12–13.5 mm	2X		X	X	
Fixed at glass with glass side panel(s)					
glass thickness: 8–10 mm	2X		X	X	
glass thickness: 10–12 mm	2X		X	X	
glass thickness: 12–13.5 mm	2X		X	X	

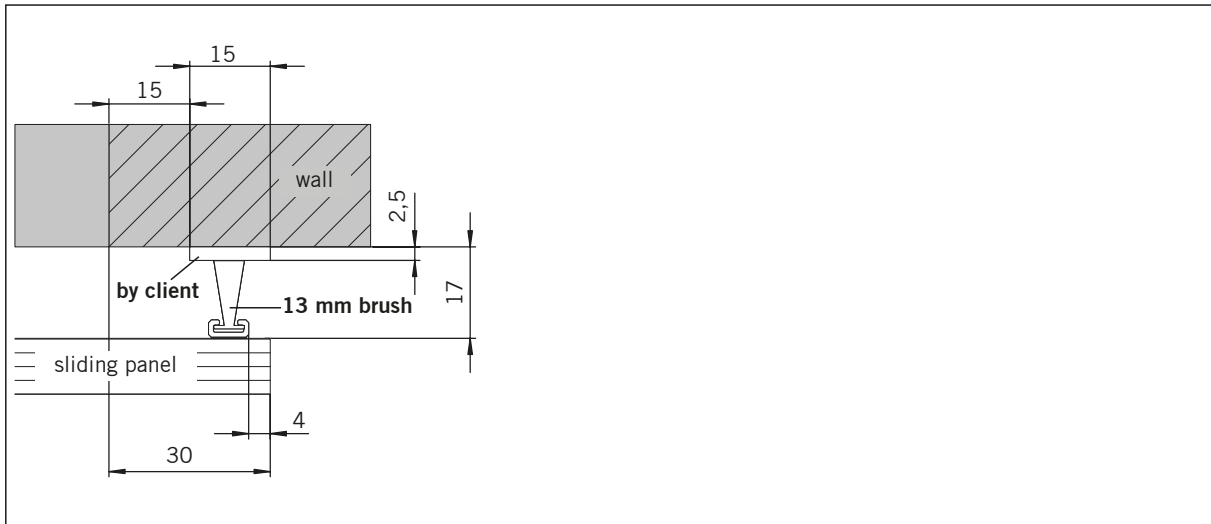
MUTO COMFORT / MUTO PREMIUM

Sealing system

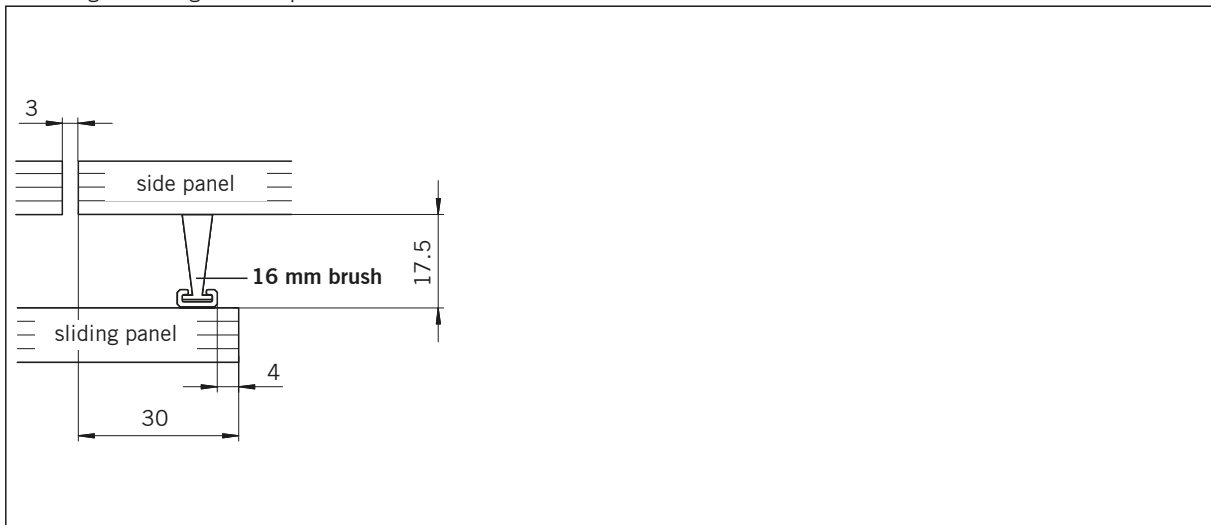
3. Installation situations

3.1 MUTO Comfort L 80

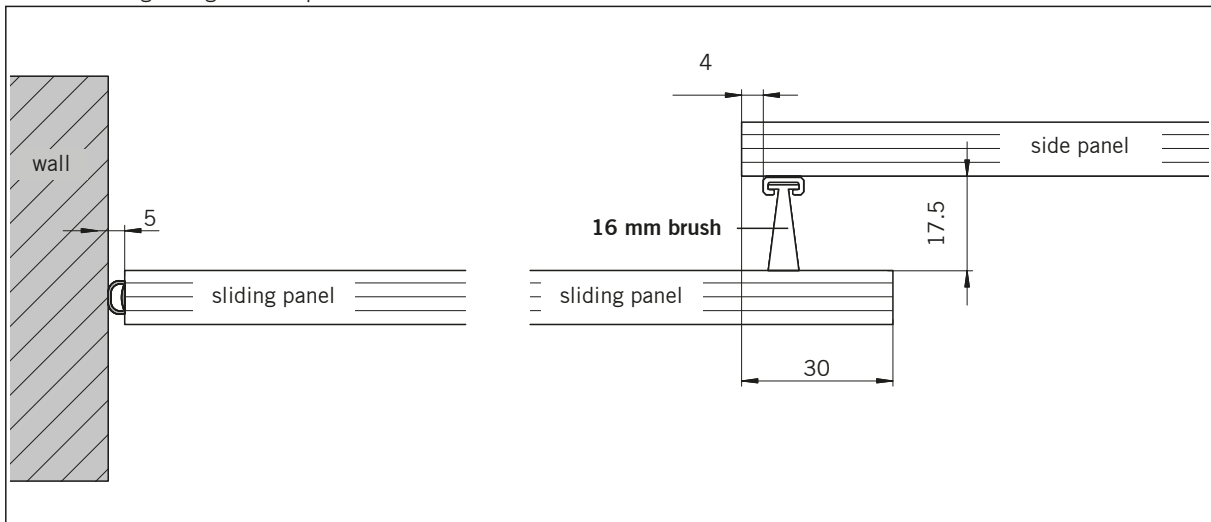
Fixed at wall and ceiling



Fixed at glass with glass side panel(s)



Fixed at ceiling with glass side panel(s)

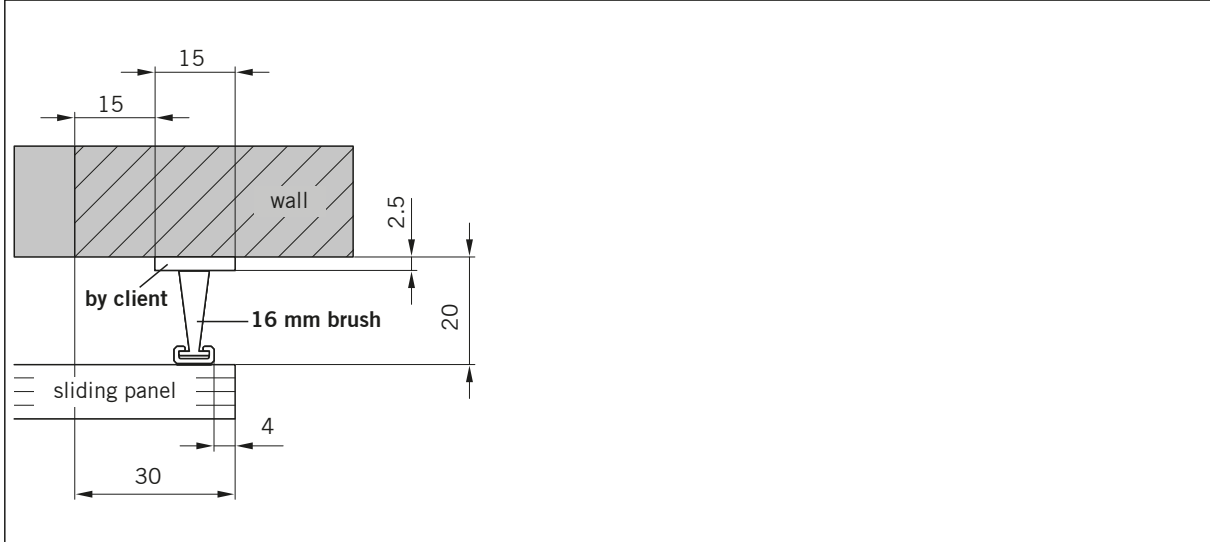


MUTO COMFORT / MUTO PREMIUM

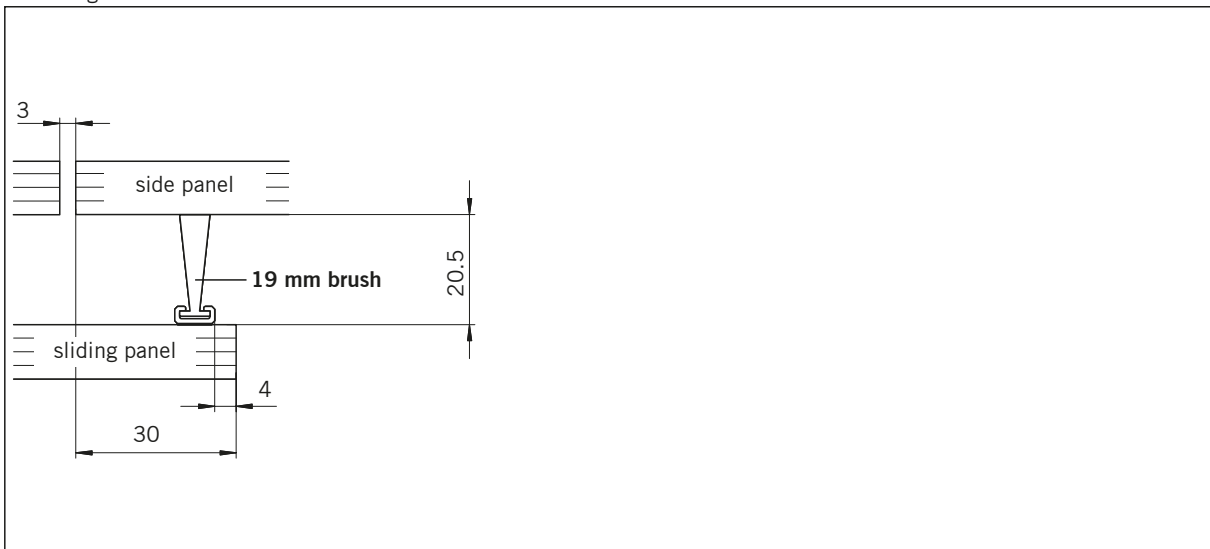
Sealing system

3.2 MUTO Premium XL 80/150 / MUTO Premium Self-Closing 120

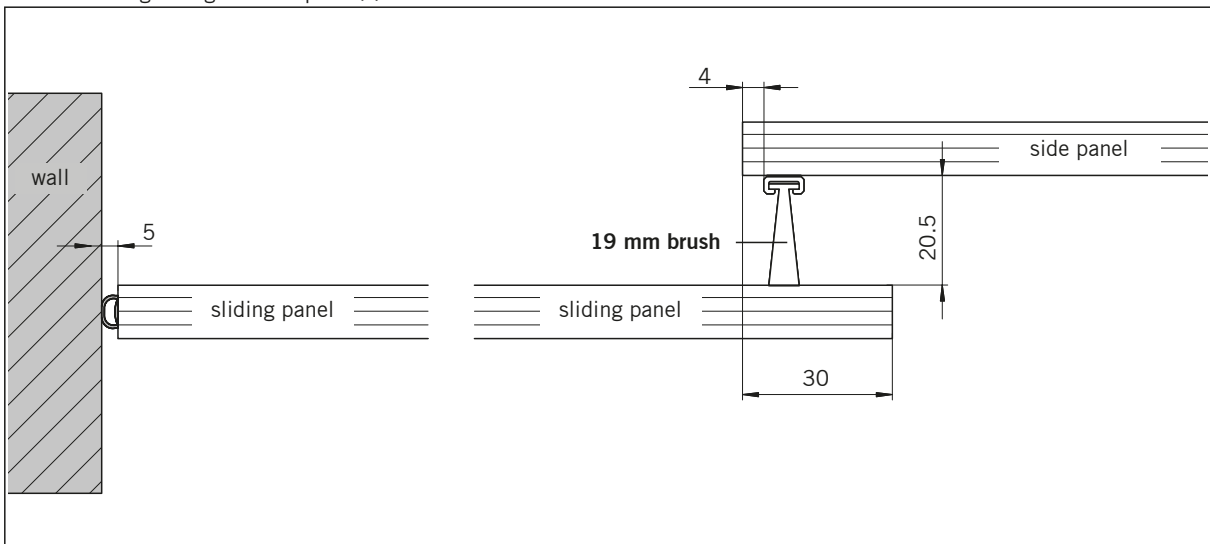
Fixed at wall and ceiling



Fixed at glass



Fixed at ceiling with glass side panel(s)

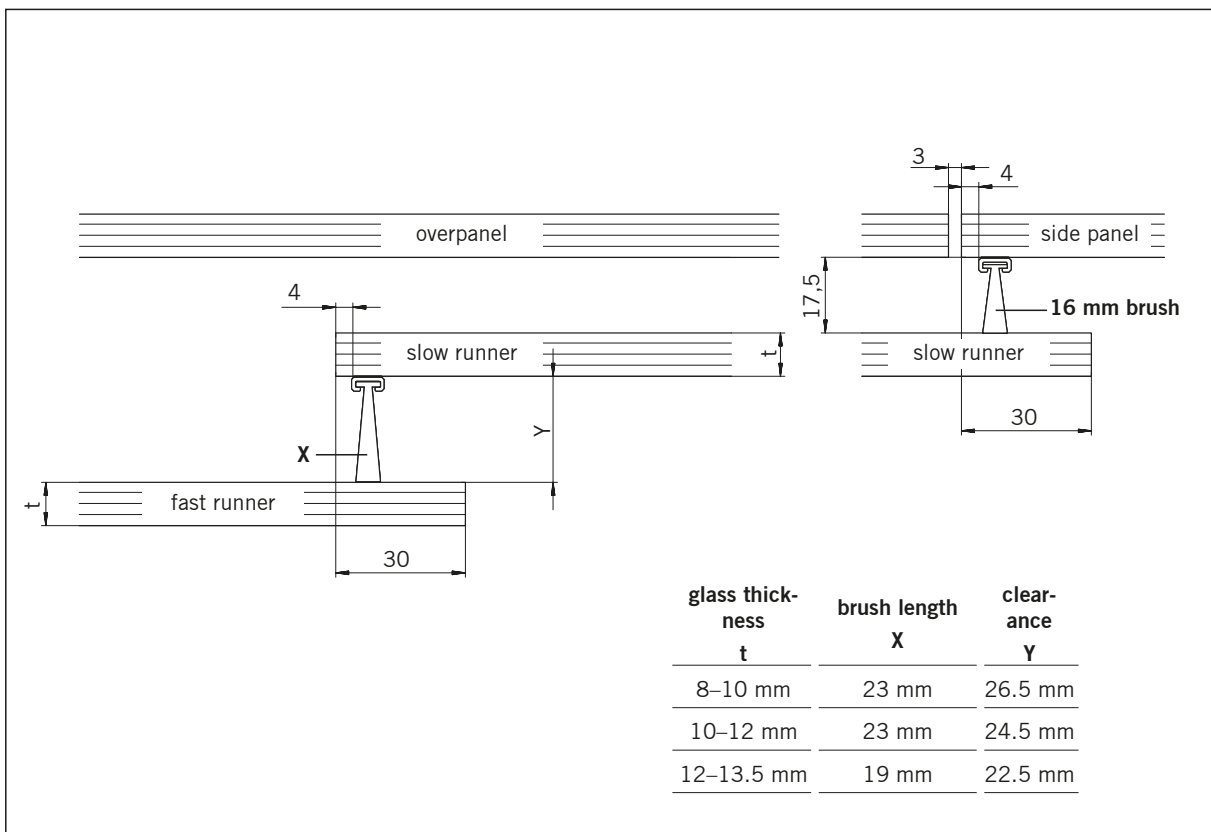
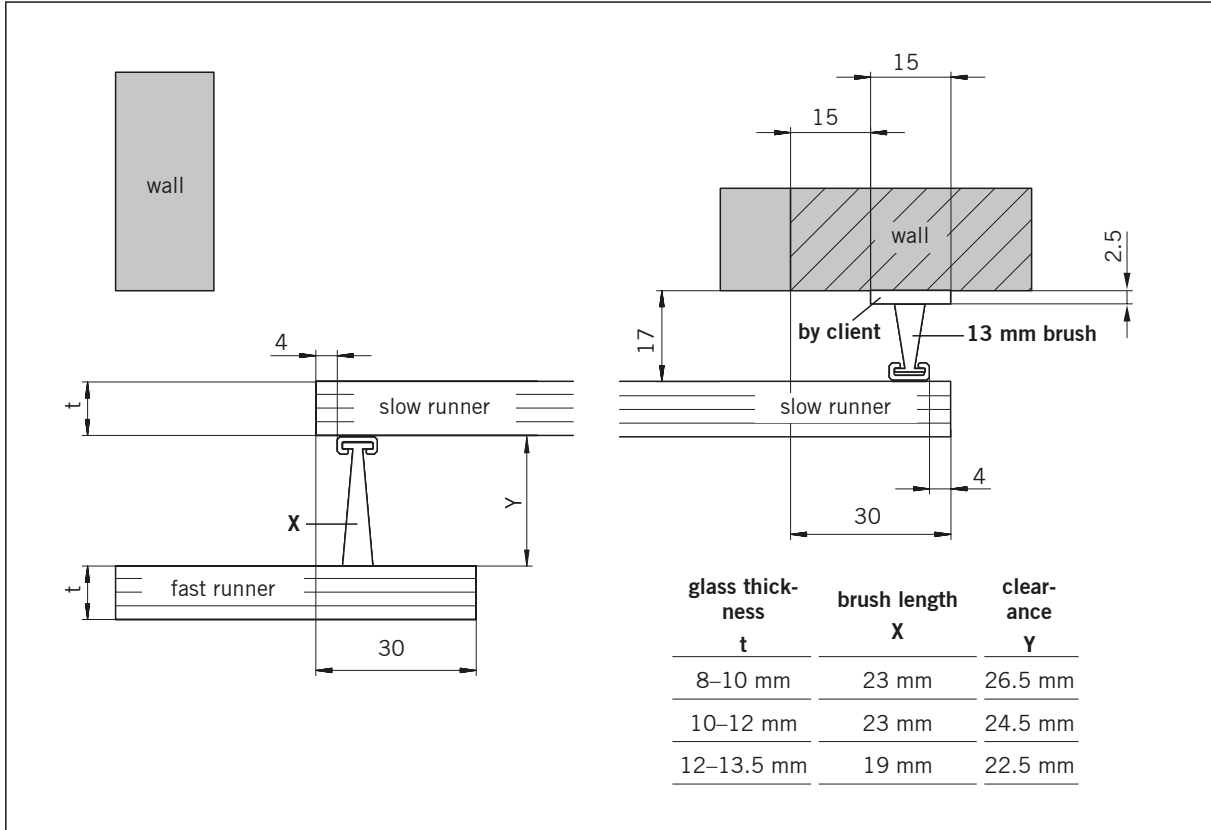


MUTO COMFORT / MUTO PREMIUM

Sealing system

3.3 MUTO Premium Telescopic 80

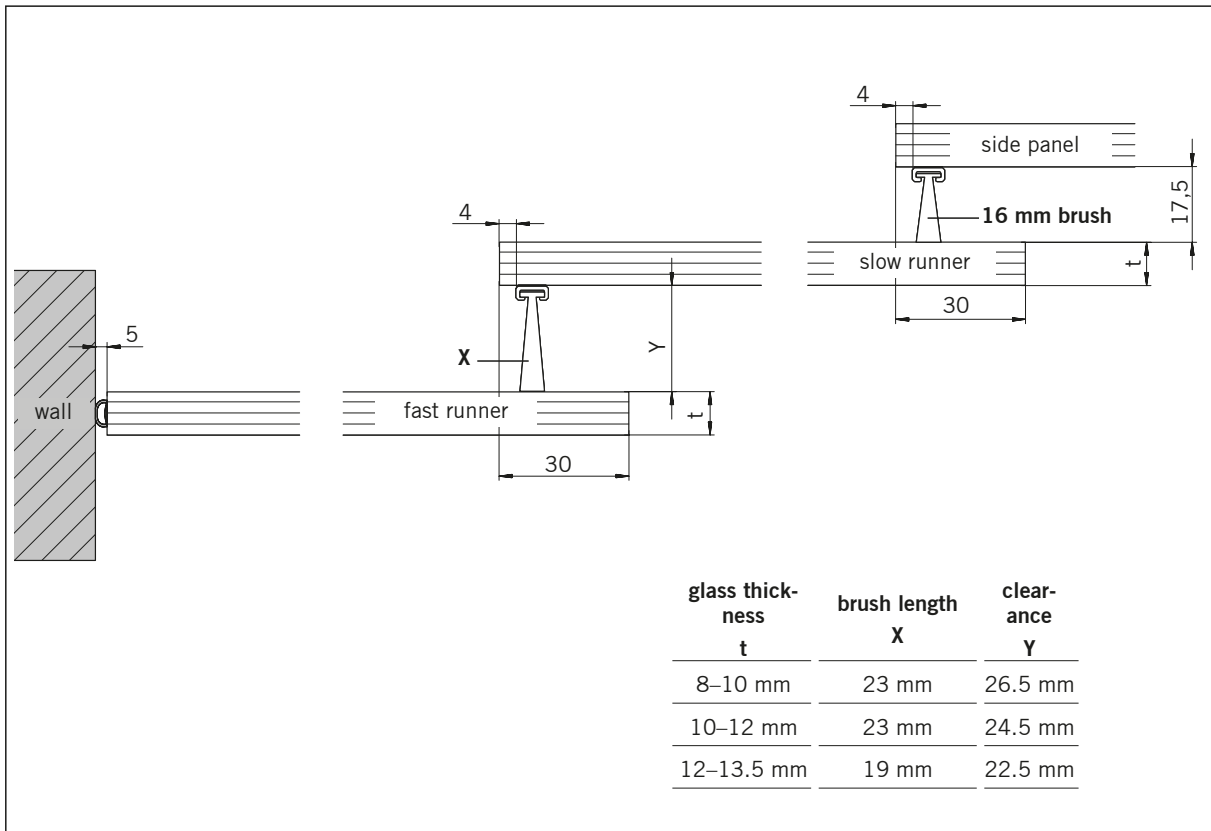
Fixed at wall



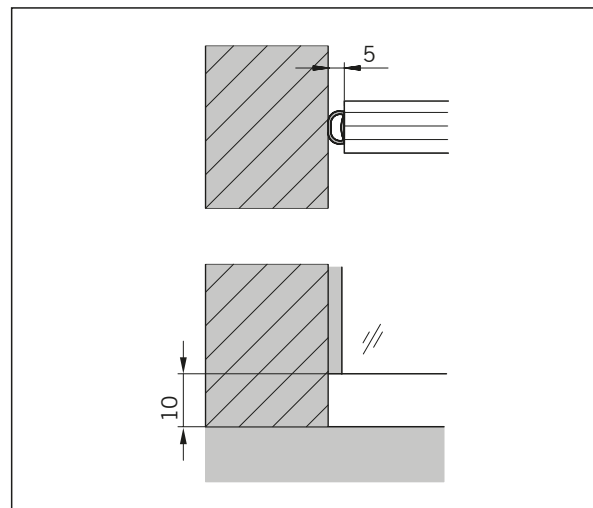
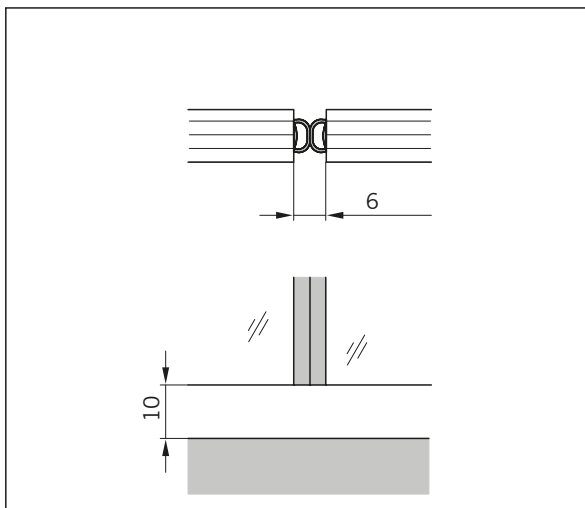
MUTO COMFORT / MUTO PREMIUM

Sealing system

Fixed at ceiling with glass side panel



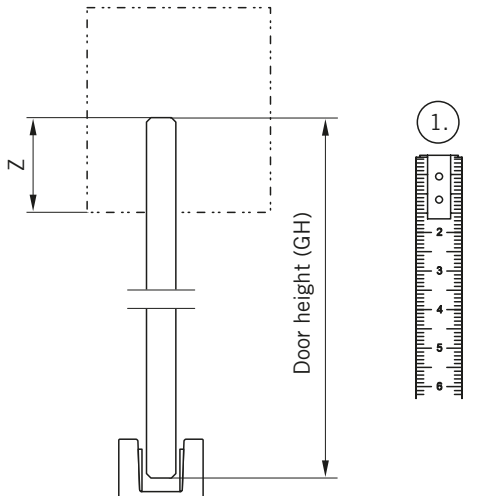
3.4 Tubular seal



MUTO COMFORT / MUTO PREMIUM

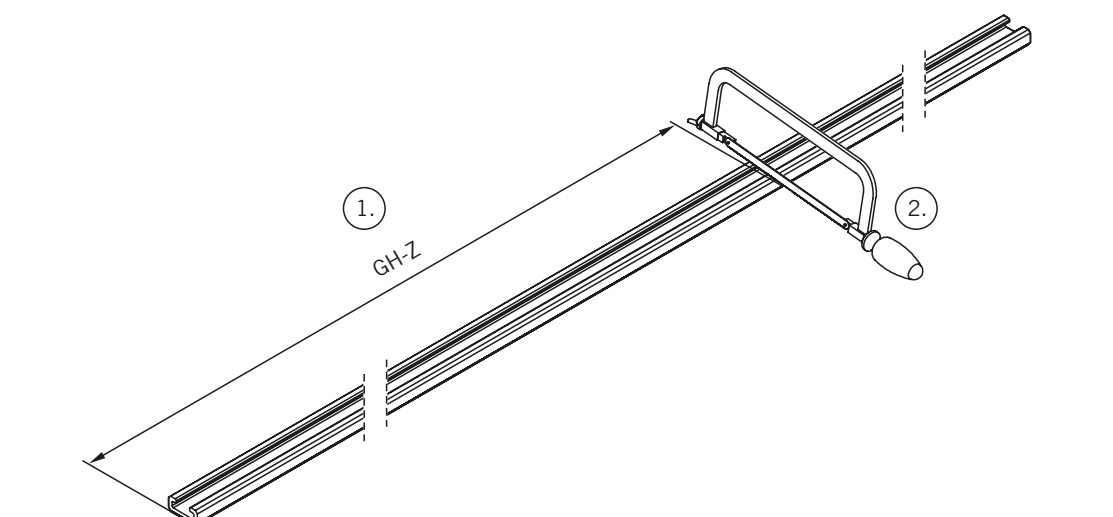
Sealing system

4. Mounting the brush holder profile and brush

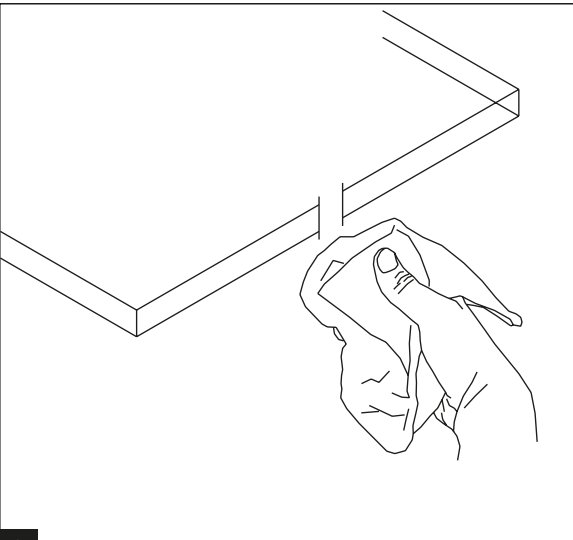


System	Allowance Z
MUTO Comfort L 80	28
MUTO Premium XL 80/150	32
MUTO Premium Self-Closing 120	32
MUTO Premium Telescopic 80	28

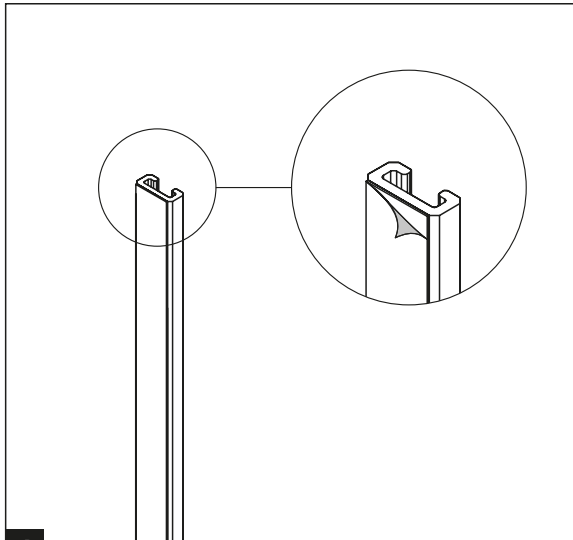
1



2



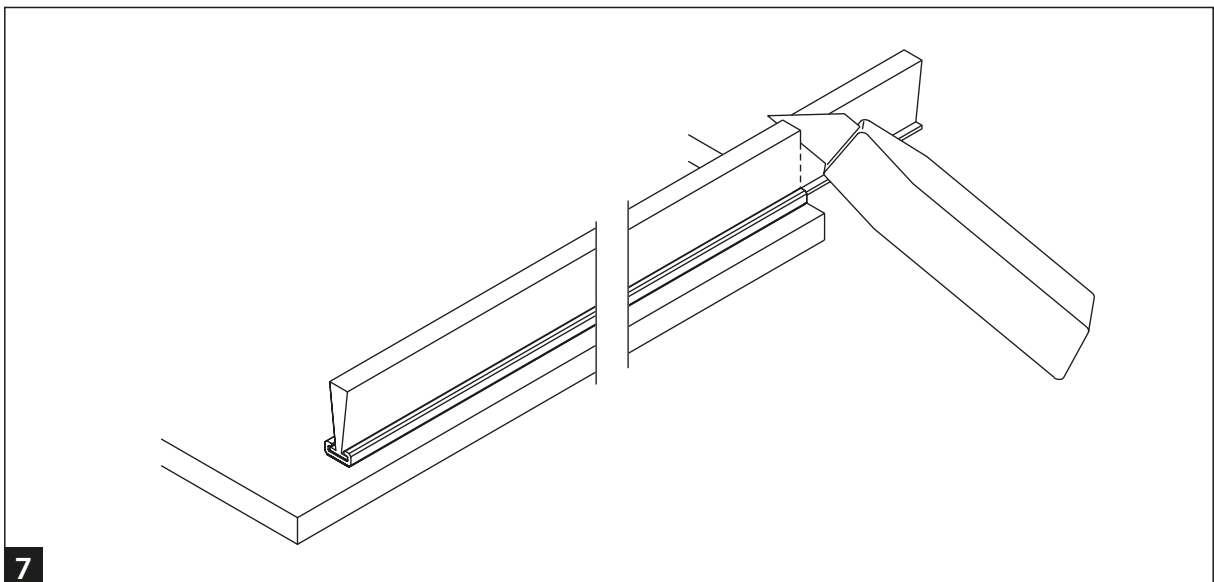
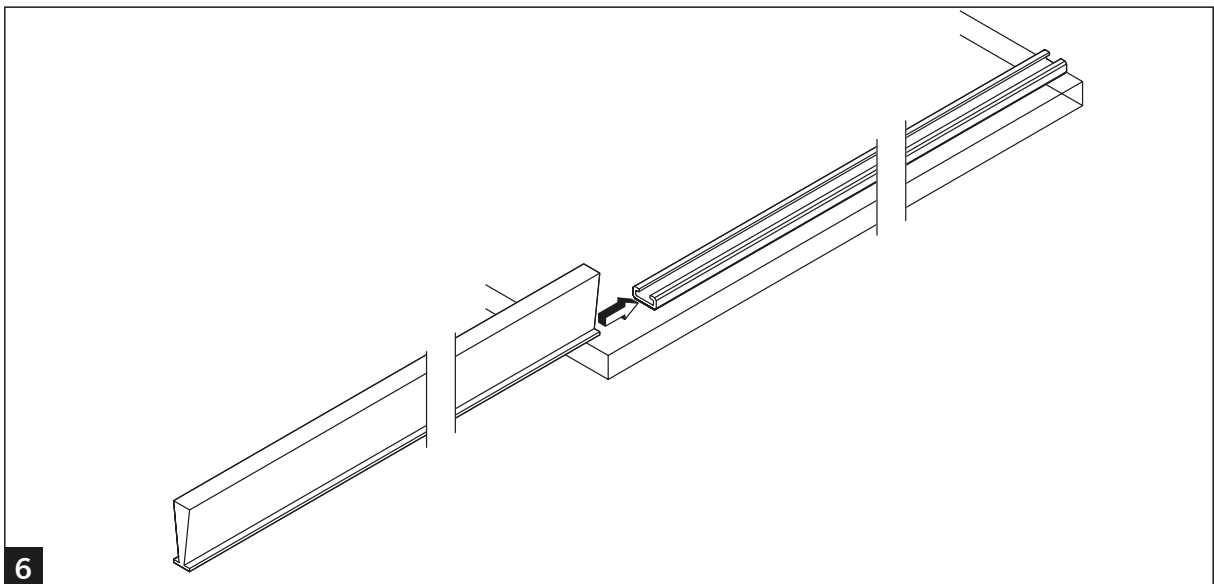
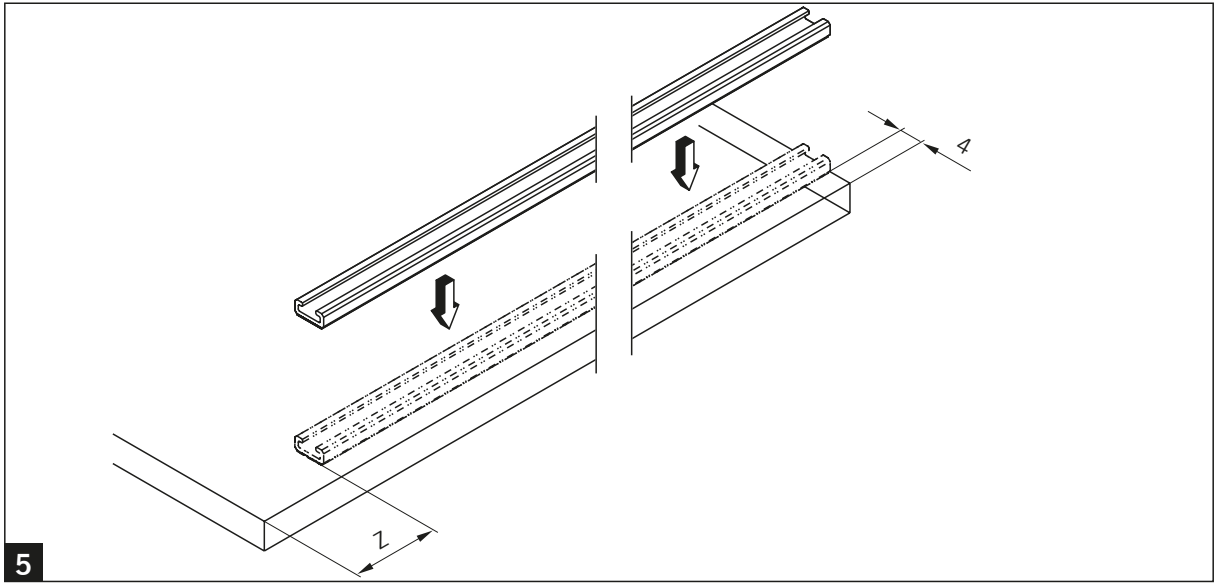
3



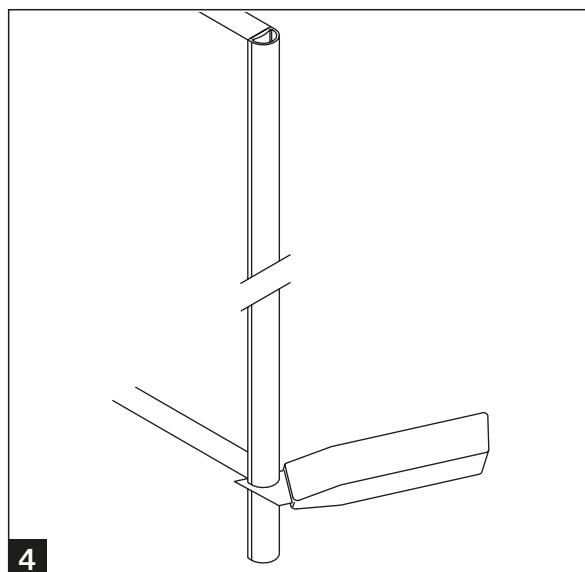
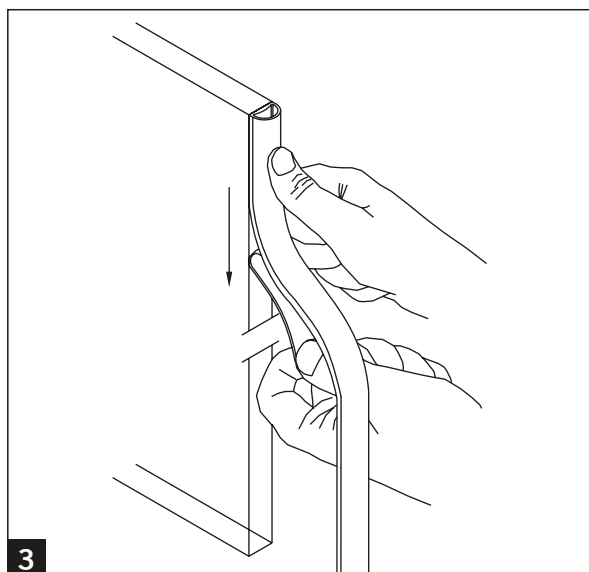
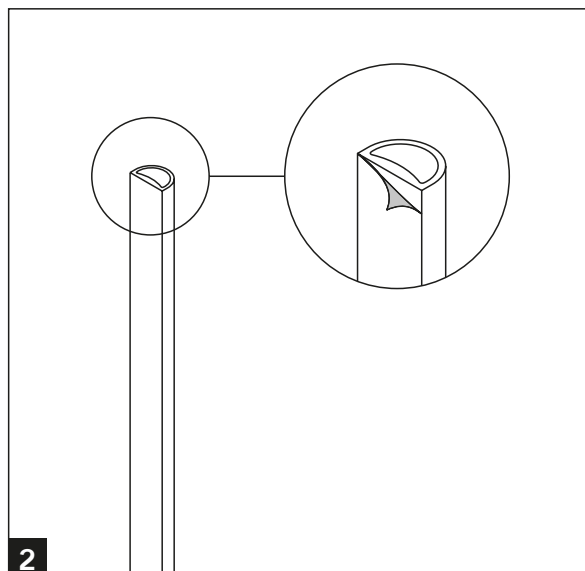
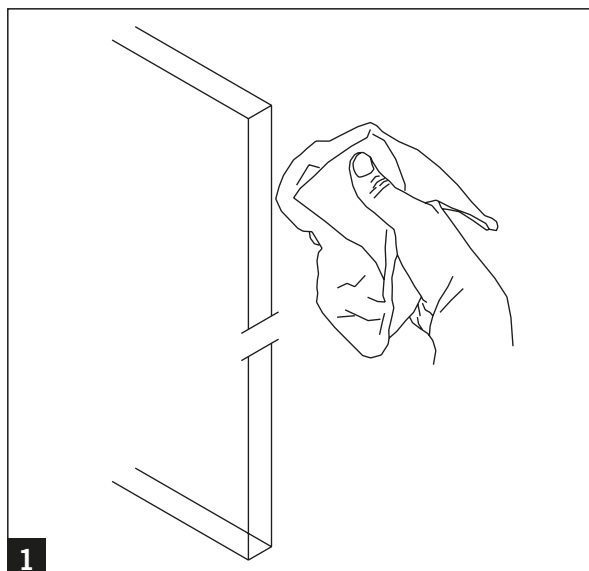
4

MUTO COMFORT / MUTO PREMIUM

Sealing system



5. Mounting the tubular seal





MUTO COMFORT / MUTO PREMIUM

Sealing system



DORMA-Glas GmbH
Max-Planck-Straße 33-45
32107 BAD SALZUFLEN
GERMANY
Phone +49 2333 793-0
Fax +49 2333 793-4950
www.dormakaba.com