



dormakaba smart key – Your clever allrounder

Joining mechanics and electronics

Whether your system incorporates time recording, electronic or mechanical access control, the smart key is able to unify it all in one single access media.

Access rights of the RFID chip in the key head are checked by the electronic door components, whilst for mechanical locks, the reversible key is used. With the smart key, mechanical systems become more secure and IDs are no longer needed.

Daily use is convenient due to easy handling and good reading capability. The smart key is an all-rounder handy to carry in any pocket thanks to its compact size.

Better organisation and differentiation

The side of the smart key has a colour insert that can be easily exchanged. The choice of colours greatly simplifies the allocation of keys to different doors and owners.

Flexible Integration

The integration concept is smart. It fits onto our clip keys, which means that the clip can be exchanged with little effort. Existing mechatronic access systems can be easily expanded or completely upgraded to the current RFID standards.

The smart key clip uses latest RFID technologies. Thus, the smart key is the universal access medium for practically all dormakaba systems, regardless of whether they are mechanical, mechatronic or electronic.

Areas of application

Whether in large or small businesses, the smart key can be used anywhere. Ideally suited for combined access systems with mechanical and electronic lock elements in use.

Advantages at a glance

Less work

Only one access key to manage – thus less administrative work

Seamless integration

Works with most dormakaba key systems, be it mechanical, mechatronic or electronic

Easy key upgrades

Existing clip keys can be upgraded or retrofitted with little effort

Organisation and differentiation

Individual identification of key clips with exchangeable colour inserts

Elegant design

Clip supplied in stylish black

Future-proof

State-of-the-art security with modern RFID technology

Performance characteristics

Seamless usage

In most systems, there are often ideal applications for mechanical, mechatronic and electronic solutions. The smart key combines mechanics, electronics and time management and offers an integrated system.

Versatility in use

The smart key opens cylinders and locks, grants access at readers and books transactions at terminals. Access rights are automatically updated during reading.

Individual

On the side of the clip there is a colour marking which can be adjusted. This allows you to adapt your smart key according to your organisational purpose or your taste in color so that you can recognise it immediately. Choice of six different colours.

Investment protection

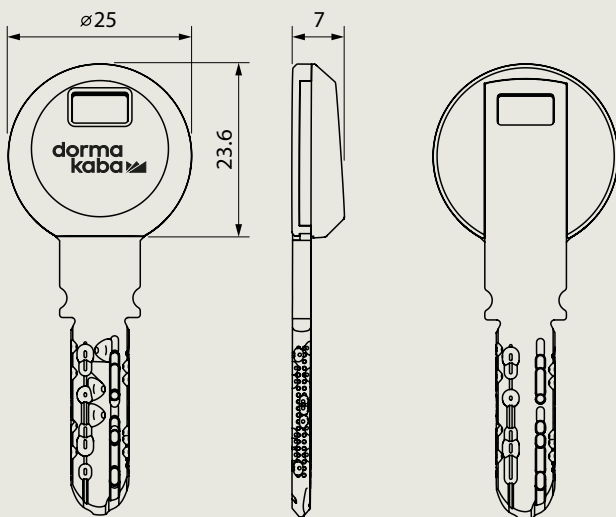
If you are using a previous version of our clip key, you can simply upgrade it. You can continue to use your investment, because the smart key is compatible with most dormakaba systems.

Flexible migration and scalable security

For LEGIC prime system environments we offer the LEGIC Cross Transponder Chip (CTC) as a standard. This means that your CTC key is already prepared for a later system upgrade to the higher security level LEGIC advant, no key or clip exchange is necessary.

One universal portfolio

The dormakaba product range includes additional, seamlessly combinable products in the same high-quality design.



dormakaba International Holding AG

Hofwissenstrasse 24
CH-8153 Rümlang
T. +41 848 85 86 87
info.ch@dormakaba.com

www.dormakaba.com

Technical features

RFID technologies supported

- LEGIC CTC (prime/advant) 1kB/3kB
- LEGIC advant 4kB
- MIFARE DESFire EV2 8kB
- MIFARE classic 1kB

Types / Material / Dimensions

- Keys: Nickel silver
- User clip: black
- Programming master clip: gold or silver
- Clip material: polyamid
- Dimensions: 25 x 7 x 23.6 mm

Key systems

- dormakaba APN
- dormakaba gemini plus
- dormakaba quattro plus
- dormakaba expert
- dormakaba expert plus
- dormakaba expert cross
- dormakaba penta
- dormakaba penta cross
- dormakaba matrix
- dormakaba SYST
- Kaba star
- Kaba star cross
- Kaba 20

Colour coding

- Silver-grey, yellow, green, blue, violet, red

Environmental conditions

- Temperature range: – 20 °C to + 70 °C
- Protection class: IP67
- Not suitable for prolonged submersion in water (e.g. bathing keys)

ATTENTION: Choking hazard for small children under 3 years of age due to swallowable small parts.

Further details and order information can be found in the respective dormakaba catalogues or system descriptions.