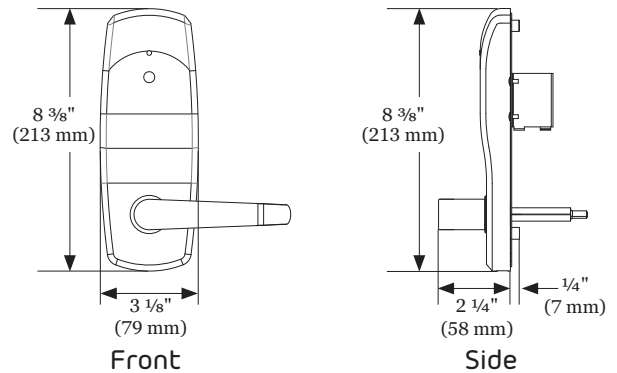


InSync® C



Overview

InSync C products provide a variety of alternatives when addressing community access control. Whether controlling building entry openings, common area rooms, doors with exit devices, parking gates, or pedestrian gates, there is an InSync C product for the application. InSync C products are available as either stand-alone battery operated door locks or hard-wired electrically powered devices that work in conjunction with other electronic latching hardware.



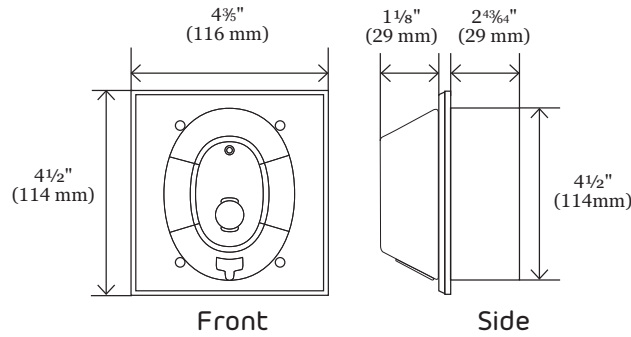
CP (Panic)

- Works in conjunction with rim and vertical exit hardware for common area doors
- Compatible with industry-leading exit devices, including the following:

American Eagle 4200R Rim	Dorma 9400 Surface Mount Vertical Rod
Cal Royal 7700/9900 Rim, Surface Mount Vertical Rod	Falcon 25 Series Rim
Cal Royal 2200 Rim, Surface Mount Vertical Rod	Hager 4500 Rim
Cal Royal 9800 Rim, Surface Mount Vertical Rod	Pamex EF8000 Rim
Detex Advantage 10 Series Rim	Sargent 8888F Rim
Detex Advantage 20 Series Surface Mount Vertical Rod	VonDuprin 98/99 Rim
Dorma 9300 Rim	VonDuprin 98/99 Surface Mount Vertical Rod
- Door types include wood, hollow metal, fiberglass, or aluminum
- Door requirements: fits standard 1 3/4" – 2 1/4" doors
- Mounting height: 40" above finished floor
- Strike width 4 5/8" with standard 99 strike or 4 1/8" with optional 98 strike
- Power: four AA alkaline batteries
- Weight: 5 lbs. (2 kg)
- Exterior dimensions: 8 3/8" h x 3 1/8" w x 2 1/4" d
- Environmental: Indoor/outdoor approved -31 °F to 151 °F (-35 °C to 66 °C)
- Humidity up to 95% without condensation
- Finishes include: Bright Chrome, Satin Chrome, Bright Brass, Satin Brass, Satin Nickel, and Dark Mahogany
- Levers include: Arc, Continental, Gala, Troy, Vintage, and Apogee
- InSync CP locks conform to Standard UL 10C. Refer to the UL online certifications directory file number R12071

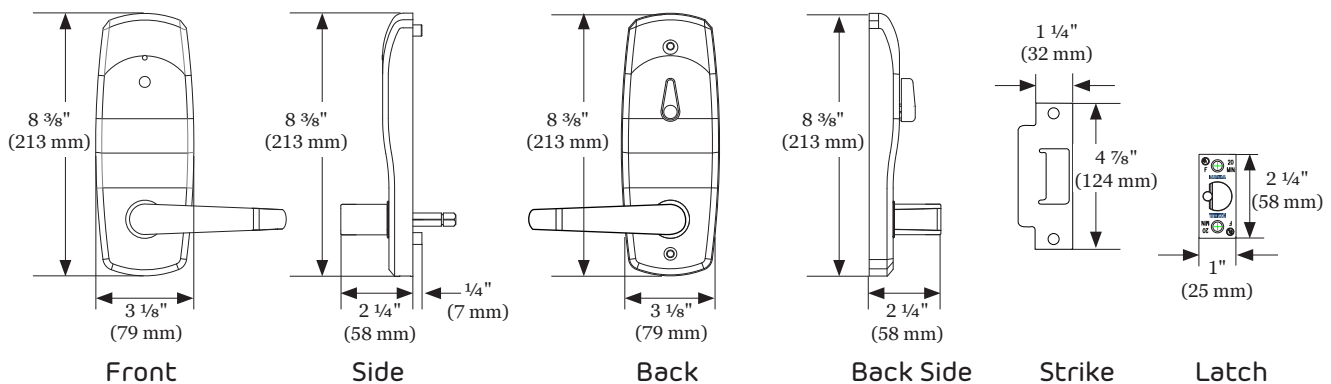
CR (RCU)

- Remote control unit switch works with electrified locking devices
- Controls electric strikes and magnetic latches up to 24 volts (AC/DC)
- Power supplied by four AA batteries in conjunction with a 110 VAC to DC UPS
- Functions as elevator control unit (ECU) with a single relay
- Available in flush (interior) or surface mount (exterior)
- Weight: .8 lbs. (3.62 kg)
- Box dimensions: 4 1/2" h x 4 5/8" x 2 5/8" d
- Humidity: up to 95% without condensation
- Finishes include: Bright Chrome, Satin Chrome, Bright Brass, Satin Brass, and Dark Mahogany
- Environmental: Indoor/outdoor approved -31 °F to 151 °F (-35 °C to 66 °C)



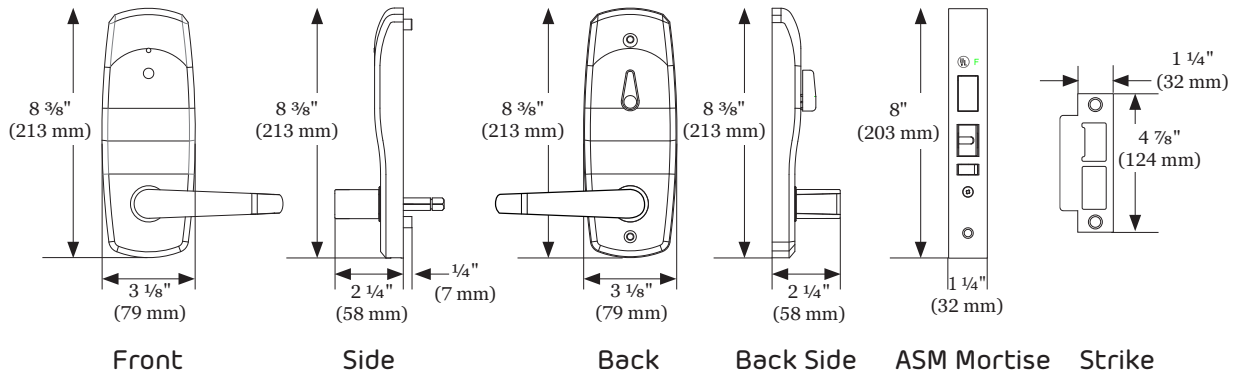
CL (Latch)

- Single motion egress with common area electronics
- 1/2" tubular latch
- Power: four AA alkaline batteries
- Weight: 8 lbs. (3.62 kg)
- Exterior dimensions: 8 3/8" h x 3 1/8" w x 2 1/4" d
- Environmental: Indoor/outdoor approved -31 °F to 151 °F (-35 °C to 66 °C)
- Humidity up to 95% without condensation
- UL 20-minute rating
- Finishes include: Bright Chrome, Satin Chrome, Bright Brass, Satin Brass, Satin Nickel, and Dark Mahogany
- Levers include: Arc, Continental, Gala, Troy, Vintage, and Apogee



CM (Mortise)

- Single motion egress with common area electronics
- 3/4" anti-pick latch
- Optional 1" automatic deadbolt (ADB)
- Power: four AA alkaline batteries with snap in connector
- Weight: 9 lbs. (4.1 kg)
- Exterior dimensions: 8 3/8" h x 3 1/8" w x 2 1/4" d
- Environmental: Indoor/outdoor approved -31 °F to 151 °F (-35 °C to 66 °C)
- Humidity up to 95% without condensation
- Available with UL 20 minute or three-hour rating
- Finishes include: Bright Chrome, Satin Chrome, Bright Brass, Satin Brass, Satin Nickel, and Dark Mahogany
- Levers include: Arc, Continental, Gala, Troy, Vintage, and Apogee



ADA Compliant Levers



Note: Verify that Vintage, Gala, and Arc levers comply with local fire code requirements.

Standard Finishes

