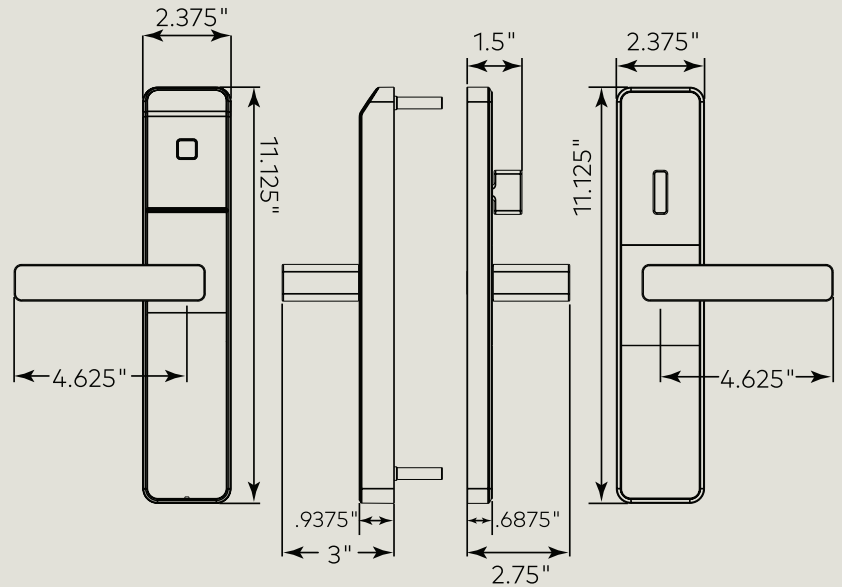


# Confidant



## Overview

The Confidant lock has graceful lines and clean aesthetics, and its NFC technology enhances the guest experience while extending the service life of the lock. This modern lock conveniently functions with dormakaba access management software and stand-alone devices.

## Mobile Access

This Bluetooth Low Energy (BLE) capable lock can operate using the dormakaba Mobile Access Solutions.

## Applications

- Available with mortise or tubular latch applications
- Suitable for small to very large scale hotels
- Easily replaces existing mechanical or electronic door locks
- Works with third party mortise lock case and door hardware
- Access control for guest rooms, common areas, and back-of-house

## Security Features




- Vandalism and attack resistant
- Improved tamper resistance; tamper alarm is reset by emergency key or dormakaba handheld programming device
- Emergency access: emergency keycard and electronic override

## Low Maintenance

- Operates with a completely sealed contactless reader
- Batteries last up to 50,000 openings or up to 2 years
- Low battery indicator alerts staff
- Audit trail is retained during battery replacement and lock programming
- Wear resistant construction and finish
- NFC programming

## Access Management Software

The Confidant lock is supported by dormakaba's robust access management software solution that features an array of access control workflows for both guest and staff access. Optionally, choose dormakaba's online access management solution for superior control and monitoring.

<b>Mechanical Features</b>	
Outside Housing	Zinc cast alloy construction with steel mounting plate/Field reversible levers. Ergonomic RFID reader with target to guide user/LEDs for visual feedback. Panel that conceals lock batteries (3 alkaline AA type) and programming interface. Spindle socket
Inside Housing	Stainless steel trim with a steel mounting plate construction / Field reversible levers (only short return levers) Privacy turn knob (optional)
Levers	Available in short or long return designs. Outside lever free to rotate upward and downward in locked mode
Standard Finishes	Satin chrome or satin brass <div style="display: flex; justify-content: space-around; align-items: center; margin-top: 10px;">    </div>
Batteries	3 AA batteries for up to 50,000 openings or up to 2 years (based on 10 openings per day). Low battery indicator: alerts staff that batteries need to be changed soon
Deadbolt	1" (25 mm) (for ASM mortise), projected by inside thumbturn and retracted with the latch by the interior handle, emergency override or specific staff keycards. Optional auto deadbolt available
Door Thickness	From 1 3/8" to 2 1/2" (35mm to 66mm)
Standard Backset	2 3/4" (70mm) mortise and tubular latch. 2 3/8" (80mm) tubular latch only
Locking Options	ANSI lock case with 1 1/4" or 1" lock front mortise. Optional automatic deadbolt.
Online Configurations	Messenger Ready Outside escutcheon with Messenger connector / DAJ mortise (ANSI lock case) / Standard inside escutcheon  Messenger Online Outside escutcheon with Messenger connector / DAJ mortise (ANSI lock case) / Inside enclosure with Messenger module.
<b>Mobile Access Options</b>	
BLE ready / BLE enabled	Upgradable to BLE by adding BLE module / End cap with BLE module included, no further upgrades needed
<b>Lock Operation</b>	
Date/Time Stamp	Real time: date and hours/minutes
Programming & Audit Trail Downloading	Using handheld units (dormakaba M-Unit) or remotely through wireless system to obtain key use history reports from the lock, or using a 4K audit keycard / Lock programming using Near Field Communications (NFC)
Pre-registered Keycards	Keys can be made up to ten days in advance without cancelling current or arriving guests
Keycard Expiration	Configurable expiration dates; can be automatically set for check out date or manually applied when making key during check in process
Passage Mode	Set by authorized keycard or Messenger system. Can optionally be configured to perform an automated/pre-defined passage mode time
Lockout Mode	Set by authorized keycard or Messenger system
Keycards Accepted	DESFire EV2/EV3, RFID cards or tags (ISO14443A with Mifare Classic) available in Mini, 1K and 4K memory sizes (4 byte NUID type)
Feedback	"Dual sensory" audible and light indicators
Diagnostics	Light indicators and handheld display
Audit Memory	Saflok systems: up to 4000 events / Ilco systems: up to 2000 events
Disability Feature	Available for special openings
Privacy Override	Emergency keycards
<b>Certifications &amp; Testing</b>	
Accessibility Standard	ADA (Americans with Disability Act) compliant levers
Fire Rating	Meets UL 10C and ULC S-104, on fire door rated up to and including 3 hours with dormakaba ANSI lock case (ASM mortise) and 20 minutes with dormakaba tubular latch.
Electronics	Compliant IEC 61000-4, FCC Part 15 and Industry Canada RSS-210. CE R&TTE Directive 1999/EC.
Environmental Operating Conditions	-31°F to 151°F (-35°C to 66°C) 0% to 85% non-condensing humidity at 86°F (30°C)
<b>Warranty</b>	
Warranty	Standard Factory Warranty: Two years / Extended Warranty: dormakaba Service Plans available