



DIN Mortise Door Locks
Series 170 and gege.ergo72
Latch left/right changeable

DIN Door Locks Series 170

Metal latch, follower and bolt

Areas of Application:

- For inside and intermediate doors up to 40 kg door weight

Technical Data

- Requirements of EN 12209, Utilization Category 3
- Lock case thickness 12+1 mm
- Backset 55 mm
- Lock case and cover surface ELO-zinc plated
- Double throw bolt for styles BB, WZ and PZ; single throw bolt for style WC
- Latch side is left/right changeable without special tools

Forends available:

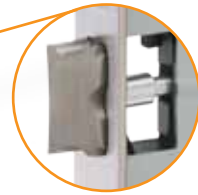
- 235 x 20 x 3 (Standard)
- 235 x 18 x 3 (Optional)

Lock types

- **BB** - Bit key
- **PZ** - Europrofile cylinder without key latch operation
- **WZ** - Metal latch only, Europrofile cylinder with key latch operation, fire resistance 30 minutes optional
- **WC** - toilet and lavatory doors



Series 170 lock



Metal latch with latch stop

- heavy duty for long product life
- changeable right/left side with tools
- fire resistant to T30 - optional



Lockcase made of zinc plated sheet metal

- high corrosion resistance
- can be used in damp rooms
- smooth installation with dry surface
- no impairment of sensitive surface by grease



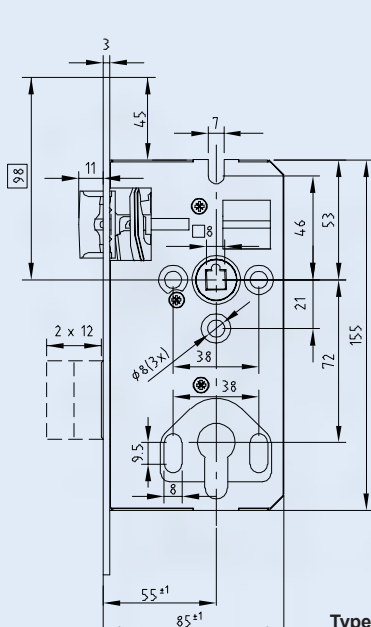
Key operated latch (WZ)

- the key retracts the latch without the lever handle
- for door furniture with rigid knob or handle outside

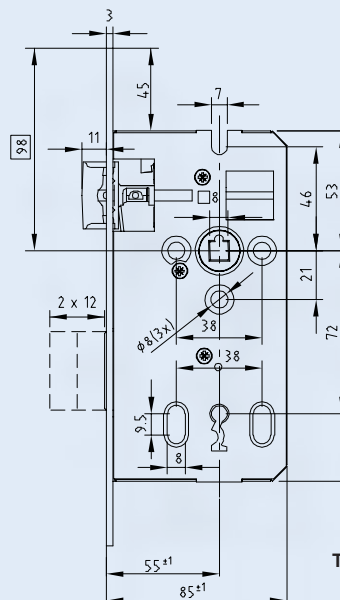


3 Spacer sleeves between case and cover

- increase stability
- position directly around the follower prevents deformation when installing rosette sets



Type WZ for Europrofile cylinders



Type BB for bit keys

Authorized Dealer:



Certified Management System
ISO 9001:Reg No. Q1530367

Technical changes reserved.



by Kaba

Kaba GmbH
Ulrich-Bremi-Strasse 2
A-3130 Herzogenburg
Telefon +43 (0) 2782 808 0*,
Fax +43 (0) 2782 808 5505

www.kaba.com

Gege and Kaba are registered trademarks for the Kaba Group.
Subject to change and error. DIN Door Locks, February 2014. Item no.