



Gege series 170 Mortice lock, DIN standard

Gege DIN Door Lock Series 170



Center distance 72 mm

Lock styles bit key (BB), WC- and bath room doors (WC), Europrofile cylinders with latch lever (WZ)

Specifications according to DIN 18251 Grade 3, BN12209

Latch with latch stop, changeable right/left.

Door lock with double-throw bolt, WC style with single-throw bolt

Case and cover are made of sheet metal - 0.9 mm thick, ELO zinc plated, case thickness 12⁺¹ mm

Forend 220 x 20 x 3, yellow zinc coated, decor silver, stainless steel, polished brass

Backset 50, 55, 60 mm

Options:

- Europrofile cylinder with latch lever (WZ): Fire resistant T30
- Silencio latch for nearly noiseless door closing

Order example:

170.WZ.R80.8.LM72.3.20.220.DS

170...Door lock series

WZ...cylinder with latch lever

R...round forend




80...case width 80mm (backset 50mm)

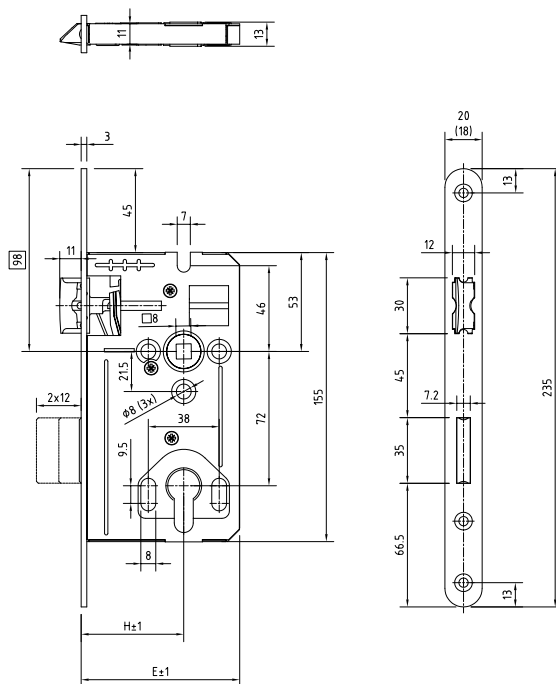
8...hub 8mm

LM72...center distance 72mm

3.20.220... forend dimension 3x20x220mm

DS...Decor silver

Configurations	  			Backset H		
	BB	WC	WZ	50	55	60
Center distance	72	72	72	Case width E		
Spindle \square (hub)	8,0	8,0	8,0	80	85	90
Forend 220 x 20 x 3						



„Gege Türschloss 170“, wv en 03/11
Gege is a registered brand of the Kaba Group
Technical changes reserved

