



- **PIN Access**
- **Electronic Access Control**
- **3,000 Access Codes**
- **30,000 Audit Events**

Features

Access Control:	Electronic lock with PIN only access; for installation on a standard 50/50/50 IT server cabinet
Number of Codes:	3,000 (per door)
Programming:	Locks are programmed with Enterprise Software (required; not included). Programming is via wireless or laptop/netbook with IrDA communications.
Audit Events:	30,000 most recent Events
Authority Levels (6):	Authority levels allow who has access to specific lock operations: <ul style="list-style-type: none"> • Master • Guest/Visitor User • Manager • Service User • Access User • Maintenance Unit User
Programmed Scheduling:	Up to 16 different access schedules per lock Up to 32 different holiday/vacation blocks per lock
Passage Mode Options (4):	<ul style="list-style-type: none"> • First manager or privileged-user in • Automatic according to access schedules • Manually toggled on/off at the lock keypad • Remotely with Wireless Option
System Software:	Host application PC server with multiple workstations support using Thin Client interface over network (or same machine) SQL database with critical data components encrypted for highest security

Mechanical Features

Locking Device:	Utilizes the existing door locking hardware (cam and/or locking bar)
Construction:	Heavy-duty resin polymer housing, stainless backing plate, metal pushbuttons
Handing:	Non-handed, pre-assembled for left-hand door installation—easily changed in field
Numeric Keypad:	Vandal resistant, solid metal pushbuttons
Key Override:	Key-in-lever style cylinder can be ordered keyed alike or keyed different (is not field changeable)
Standard Finish:	Black 401 housing and lever with Satin Chrome 626 Buttons

E-Plex[®]

5290 Server Cabinet Lock

BEYOND SECURITY



Installation

Ease of Installation: Simple, easy-to-install reader unit installs into standard 50/50/50 IT server cabinet prep. Power interface unit enclosure is factory prepped for simple wiring with low voltage connections directly into off-the-shelf power supply units. Wiring harness with cabinet-to-door quick disconnect and mounting brackets are also included.

Items Supplied Include: Installation manual, quick reference guide, operations manual, and required installation hardware

Electronic Features

Indicators: Audible and visual indicators

Power Supply: Requires 12 or 24 VDC power input (specified when ordering) from standard, off-the-shelf power supply units (must have battery backup). If power is lost, user data and lock parameters are retained in on-board memory. Power interface unit enclosure is factory prepped for simple wiring with low voltage connections directly into off-the-shelf power supply units.

Alarm Interface: Product also includes a contact closure, alarm shunt output to interface with new or existing fire alarms and security systems

Environmental

Operating Range: -31 °F (-35 °C) to 151 °F (66 °C) (not intended for outdoor use)

Certification

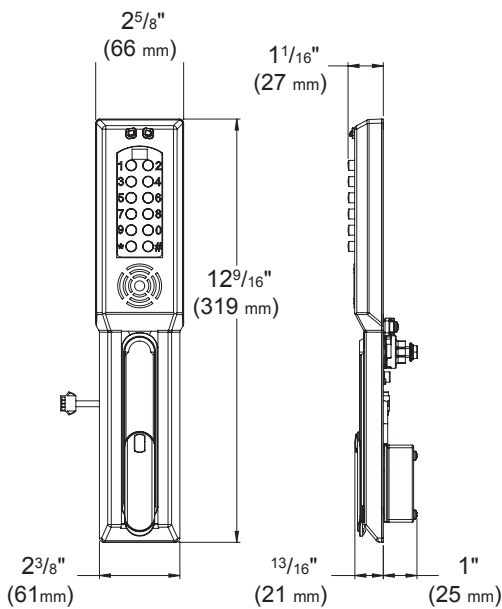
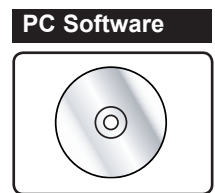
Certifications: Accessibility Standard: Americans with Disabilities Act (ADA)

Warranty

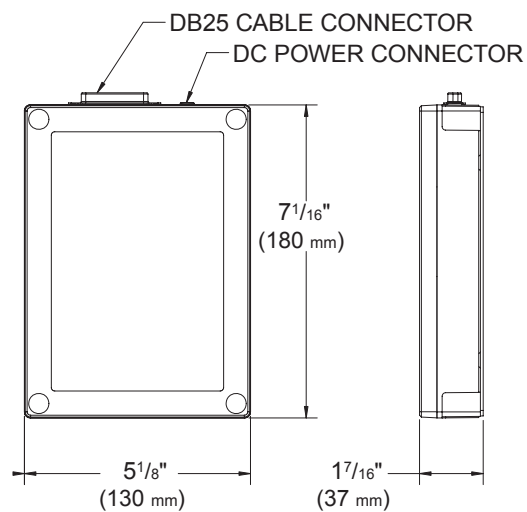
Warranty: 1-year warranty from date of installation; built-in warranty counter in memory

Dimensions

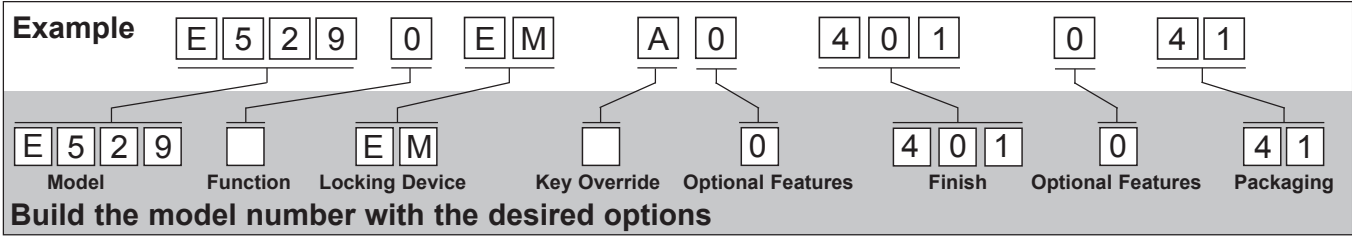
Required Feature



Integrated Locking Device



Power Interface Unit



Base Model	Description	Base Price
E5290EMA0401041	E5290, Server Cabinet Lock, 3,000 Access Codes, 30,000 Audit Events	\$1404.00

Choose One Option from Each Category

Function Options	Description	Price
0	24 volt	No Charge
1	12 volt	No Charge

Locking Device	Description	Price
EM	EMKA 1150 locking handle	No Charge

Key Override Options	Description	Price
A	Keyed alike	No Charge
D	Keyed different	No Charge

Optional Mechanical Features	Description	Price
0	Standard cylinder (call for special cylinder or mechanical needs/requirements)	No Charge

Finish	Description	Price
401	Textured Black	No Charge

Optional Electronic Features	Description	Price
0	Standard (call for special electronic needs/requirements)	No Charge

Items Supplied with the Lock

- Installation Manual
- Quick Reference Guide
- Operations Manual
- Installation Hardware

Notes

E-Plex[®] 5290 Series Accessories (Required)

Model Number	Description	Price
EP-EPRISE-xx-001	E-Plex Enterprise Software Implementation Kit (see E-Plex Software section of this catalog for additional information)	\$700.00

xx=version number.
Please see kaba.to/eplex-software to determine most current version number.