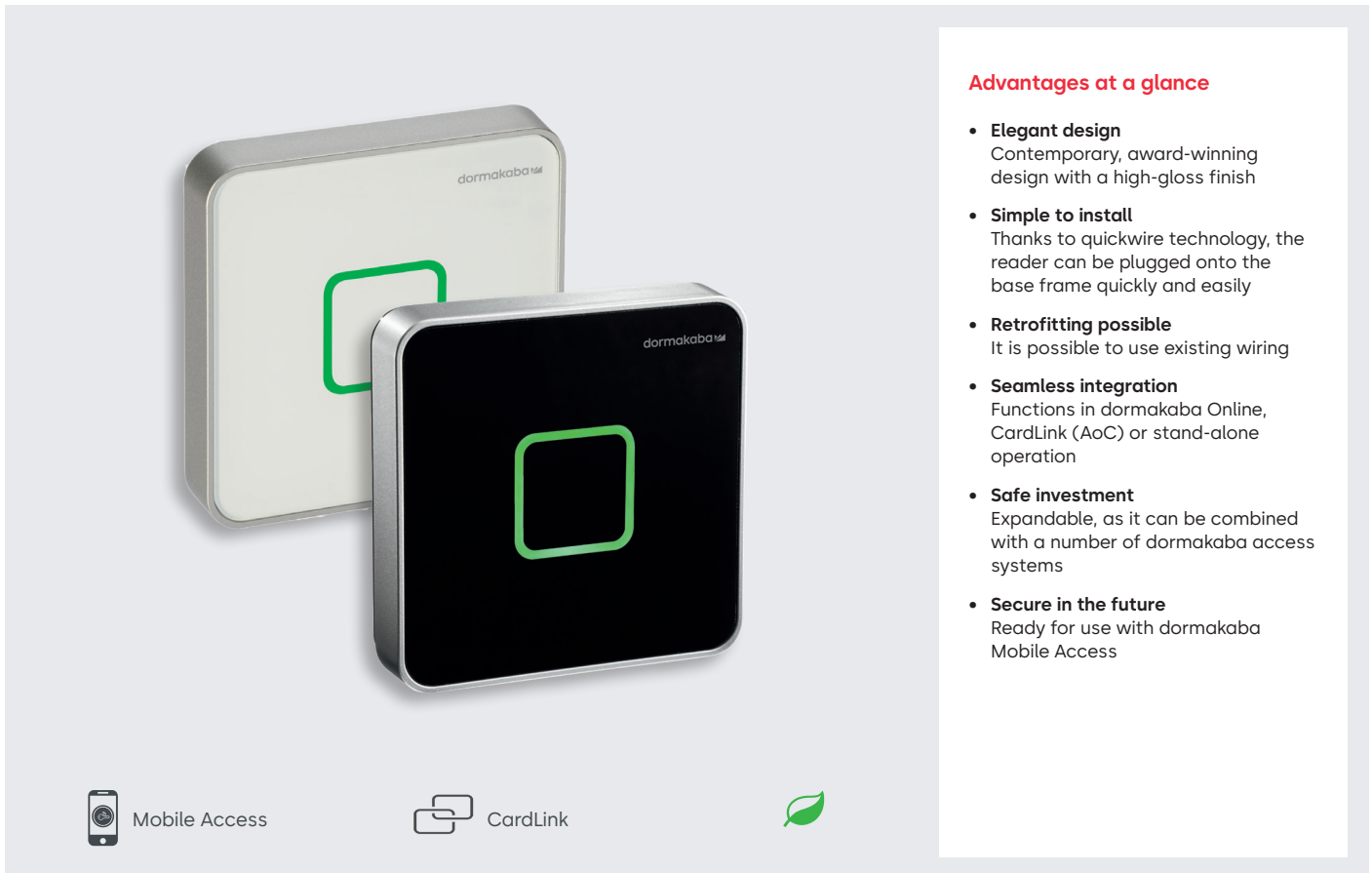


dormakaba compact reader 91 10



Advantages at a glance

- **Elegant design**
Contemporary, award-winning design with a high-gloss finish
- **Simple to install**
Thanks to quickwire technology, the reader can be plugged onto the base frame quickly and easily
- **Retrofitting possible**
It is possible to use existing wiring
- **Seamless integration**
Functions in dormakaba Online, CardLink (AoC) or stand-alone operation
- **Safe investment**
Expandable, as it can be combined with a number of dormakaba access systems
- **Secure in the future**
Ready for use with dormakaba Mobile Access

Award-winning design and elegance

The dormakaba compact reader 91 10 with elegant high-gloss finish can be integrated easily into existing buildings.

It is convenient to operate – as both

visible and audible signals are used to confirm access. Simply present either a card, key fob or key with RFID transponder clip to the reader and enter.

Flexible integration

The dormakaba compact reader 91 10 can be integrated into all dormakaba systems, regardless of whether they are operated online or stand-alone.

The quickwire connector simplifies installation and maintenance. The reader is simply clicked onto the pre-wired rear panel or spacer frame.

Areas of application

The dormakaba compact reader 91 10 fits onto any standard wall socket and is available in two designs:

- with a spacer frame for use indoors (surface wiring) or
- with rear panel and sealing pad for use in protected outdoor areas (flush-mounted wiring).

The dormakaba compact reader 91 10 can be used in many ways. It can be used either as a reader to monitor the organisation or for access control in conjunction with an access manager in protected areas.

Areas of application

- Office buildings
- Automatic doors
- Lifts
- Garage doors
- Car park barriers
- Entrance areas
- Doors with motor locks

Intuitive user guidance

The RFID access medium is held in front of the reader unit. A sound and a light signal (green/red) indicate whether access is granted or denied. Access to the desired area can be made – whether through car park barriers, automatic sliding doors, lifts, barriers or doors with a motor lock or door opener.

Versatile

The dormakaba compact reader 91 10 is mounted indoors or in protected outdoor areas. For example, with the optional CardLink (AoC) function it can be used as a validation reader in entrance areas and new temporary authorisations saved directly to the card each day. Indoors, the reader is the ideal solution for lifts or sliding doors: access is controlled in an area- and time-specific manner.

Scalable use

The compact reader is suitable both for individual access points and as part of a large system. Many versions are available with different programming options, depending on the object size and requirements.

Simple

The reader can be replaced quickly and simply in existing systems. Thanks to flexible firmware exchange, it can be integrated seamlessly into various dormakaba systems.

A universal portfolio

dormakaba's product range includes combinable products that share the same high-quality design.

Note: The product's range of available functions depends on the system context in which it is used.

Technical specification

Supported RFID technologies

- LEGIC (advant & prime)
- MIFARE (DESFire & Classic)
- OSS-SO Version 2021-06 (LEGIC advant, MIFARE DESFire)

Design / material / dimensions

- Flush-mounted type (rear panel/sealing pad): 88,5 x 88,5 x 19,4 mm (WxH xD)
- Surface mounted type (spacer frame): 88,5 x 88,5 x 26,4 mm
- Front: PC plastic, Colour: RAL 9005 jet black, RAL 9016 white
- Frame: plastic; Colour: RAL 9006 white aluminium
- Rear panel/spacer frame: Colour: RAL 9005, RAL 9016

Interfaces

- RS-485: connection to host; galvanically isolated, differential
- Two binary inputs: max. 5 VDC
- 1 relay output: max. 34 VDC/60 W, max. 27 VAC/60 VA

Power supply

- 12 – 27 VAC, 50/60 Hz or 10 – 34 VDC
- Power consumption: typ. 1.2 W, max. 2.2 W
- Clock operates max. 120 hours without power supply

Environmental conditions

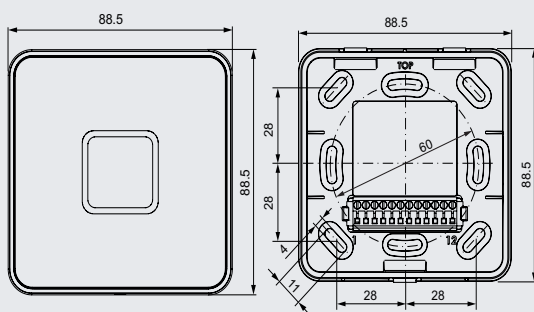
- Temperature: – 25 °C to +70 °C
- Protection class: flush-mounted design: IP54 surface mounted design: IP40
- Humidity: 0 – 95 %, noncondensing

Further details and order information can be found in the relevant dormakaba catalogues or system descriptions.

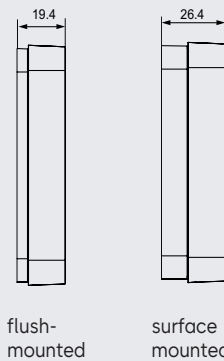
Subject to change without notice.

© 2023 dormakaba. Version 07/2023

dormakaba compact reader 91 10
Front and rear panel



Side view



Our Sustainability Commitment

dormakaba is committed to foster a sustainable development along our entire value chain.

In order to give quantified disclosures of a product's environmental impact and its ecological footprint, dormakaba provides Environmental Product Declarations (EPDs). Please download the EPD and read more about our sustainability commitment here or use the QR code provided.



Any questions?

We would be happy to answer any questions you may have.

dormakaba International Holding AG | info@dormakaba.com | www.dormakaba.com

