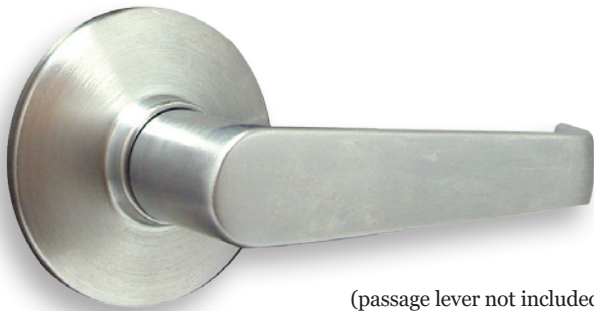


# InSync® D



(passage lever not included)

*Overview*

The InSync D is a battery operated deadbolt lock that mounts above a passage lever on a door. An InSync D works with Windows®-based SAM RF software, an electronic key-encoding device, handheld utility device, and electronic RFID keys to create a comprehensive access control system. The system eliminates key cutting, lock replacement, and risks associated with unauthorized mechanical keys. In addition, it provides multiple levels of access control to provide the highest level of security.

*Applications*

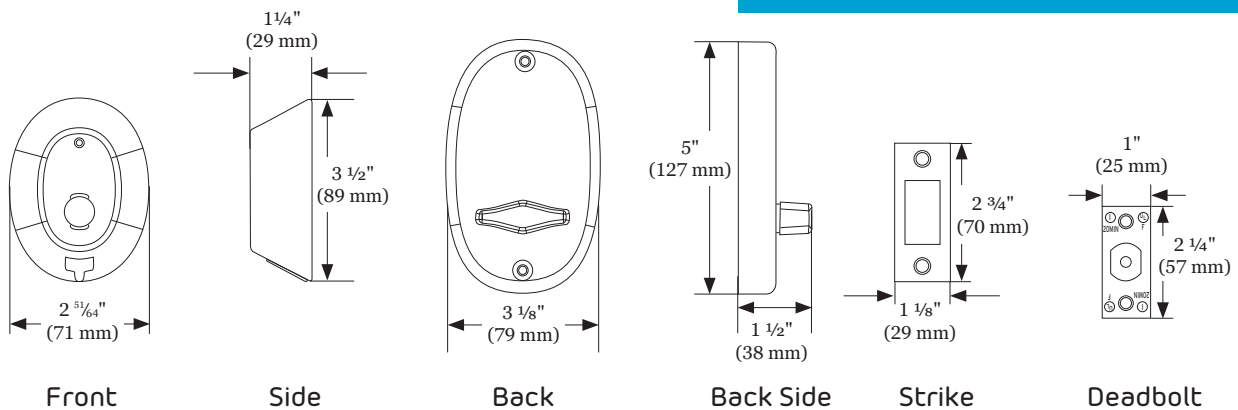
- Ideal for all types of multihousing applications, including apartment homes, student housing, assisted-living facilities, and military family housing
- Suitable for both new and retrofit projects
- Access control for unit, suite, and common areas

*Security Features*

- Robust sectional trim with fully enforced 1" saw-proof deadbolt
- Inhibit key cancels a specific key; for use when a key is lost or stolen
- Emergency keys open any lock on a property, including unit, suite, and common access area locks
- Limited use keys for vendors, staff members, and potential residents who may need regulated access to unit or common access areas

*Low Maintenance*

- Locks indicate low power signal with key insertion
- Designed for extended battery life
- Weatherized to withstand environmental conditions



## Features

<i>Access Control</i>	<ul style="list-style-type: none"><li>• Unit lock provides individual door entry; rotation of the inside thumbturn or the inserted RFID key extends or retracts the 1" deadbolt.</li><li>• Suite locks allow access to residents who have individual units behind the suite door. Suite locks require the resident to rotate the thumbturn or rotate the RFID key to lock or unlock the door.</li><li>• Unit or Suite locks can recognize up to 256 individual key IDs plus unlimited "Limited Use Key" IDs at any time.</li><li>• Common locks provide access to common use areas, such as a fitness center, parking garage, and pool.</li></ul>
<i>Credential</i>	Locks use an RFID memory key that employs special polymer construction to repel moisture. The InSync RFID key with dual technologies includes standard HiTag technology along with Prox, MIFARE® or DESFire® option.
<i>Locking Device Options</i>	1" deadbolt operates by release of a motor and rotation of key or from inside thumbturn
<i>Audit Trail</i>	Unit locks store the last 200 entries to the lock and Suite locks store the last 100 entries, including time, day, and key identification or user name. Common locks can store up to 2,000 entries.
<i>Programming</i>	Locks and common readers are programmed and audited using a Utility Device
<i>Key Levels</i>	Resident, zone, master, limited use, and emergency

## Mechanical Features

<i>Exterior Dimensions</i>	3 1/2" h x 2 5/64" w x 1 1/4" d
<i>Power</i>	Four (4) standard size AA alkaline batteries
<i>Standard Finishes</i>	Bright Chrome (26), Satin Chrome (26D), Bright Brass (U3), Satin Brass (U4)
<i>Optional Finishes</i>	Satin Nickel (U15) or Dark Mahogany (10B)
<i>Backset</i>	2 3/8" (60mm) or 2 3/4" (70mm), adjustable — no special tools required
<i>Weight</i>	2 lbs. (.9 kg)

## Installation

<i>Door Preparation</i>	Standard deadbolt prep
<i>Door Thickness</i>	1 3/8" – 2" (35mm to 51mm)
<i>Fire Rating</i>	UL certified for use on fire-rated doors (20-minute rating). Check local fire code for lever compliance.
<i>Environmental</i>	Indoor/outdoor approval: -31 °F to 151 °F (-35 °C to 66 °C)
<i>Florida Building Code</i>	Locking device option with adjustable backset deadbolt meets Florida Windstorm Specification. Certified compliance to the Florida Building Code per FL1306.1 for installation in HVHZ (High Velocity Hurricane Zone) areas.

## Warranty

<i>Standard Warranty</i>	One year from the date of installation
<i>Extended Warranty</i>	Kaba Service Plans (Platinum, Gold, Silver)

### Standard Finishes



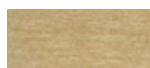
Bright Chrome



Satin Chrome



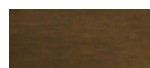
Bright Brass



Satin Brass



Satin Nickel



Dark Mahogany

### Optional Finishes