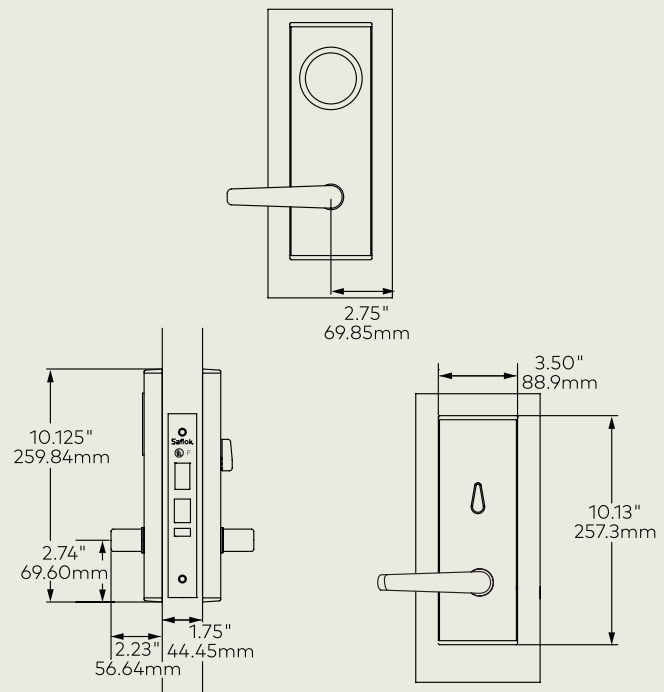


Saflok MT™ RFID



Saflok MT™ RFID



Overview

The Saflok MT is a full-body electronic lock that offers RFID card reader technology to enhance guest convenience and improve operational efficiency. Ideal for retrofits, this lock works with Saflok access management software.

Mobile Access

The MT RFID is Bluetooth Low Energy (BLE) capable and can operate using the dormakaba Mobile Access Solutions

Applications

- Suitable for small to very large scale hotels
- Easily replaces existing mechanical or electronic door locks throughout a facility
- Access control for guest rooms, common areas as well as back-of-house

Security Features

- High security and tamper-proof design
- 1" solid deadbolt (optional auto deadbolt)
- Staff monitoring - Keycard audits


Low Maintenance

- Batteries last up to 2 years
- Low battery indicator alerts staff
- Lock programming and audit records are not erased during battery replacement
- Operates with a completely sealed contactless reader

Access Management Software

The MT RFID lock is supported by dormakaba's robust access management software solution that features an array of access control workflows for both guest and staff access. Optionally, choose dormakaba's online access management solution for superior control and monitoring.

Mechanical Features

Description	Electronic mortise lockset with 1" (25.4mm) throw deadbolt and 5/8" (15.9mm) dead-locking latch bolt	
Handing	Factory-handed mortise (left, right, left reverse, right reverse)	
	ADA Compliant	
Lever		
Deadbolt	1" (25.4mm) throw deadbolt and 5/8" (15.9mm) dead-locking latch bolt	
Door Thickness	1 3/4" (44.5mm) to 2 1/8" (53.98mm) for standard product	
Weight	Approx. 8.0 lbs with hardware	
Housing Construction	Escutcheons: zinc Levers: Brass, zinc, or stainless steel	
Standard Finishes	Bright chrome, bright brass, satin chrome, satin brass, dark mahogany	
Inside Trim Options	Optional adase or MT inside escutcheon	
Standard Backset	2 3/4" (69.9mm) from door edge to lever	
Locking Options	ANSI lock case with 1 1/4" or 1" lock front mortise Options: automatic deadbolt, door ajar, MKO European lock case mortise (20 x 165 mm) with 20 x 233 mm lock front mortise	
Online Configurations	Lock controller board with online capability DAJ mortise (ANSI lock case) Inside escutcheon equipped with online module	
Mobile Access Options	BLE compatible BLE ready BLE enabled	Standard Lock. Upgradable to BLE by adding BLE connector cable, end cap and BLE module Upgradable to BLE with BLE module End cap with BLE module included, no further upgrades needed

Batteries

Alkaline - Four AA battery pack	Battery life is up to 2 years Low battery indicator: alerts staff that batteries need to be changed soon
------------------------------------	---

Lock Operation

Date/Time Stamp	Real-time; date and hours/minutes
Interrogation	Obtain key usage reports from the lock by using a handheld unit at the door, or increase efficiency by performing a remote Interrogation using the online feature of the Access Management Software (optional)
Pre-registered Keycards	Keys can be made up to ten days in advance without cancelling current or arriving guests
Keycard Expiration	Configurable expiration dates; can be automatically set for check out date or manually applied when making key during check in process.
Passage Mode	Set by authorized keycard or access management system. Can also be configured to perform an automated/pre-defined passage mode time.
Lockout Mode	Set by authorized keycard or access management system
Keycards Accepted	Mifare Classic keycards (4 byte NUID)
Feedback	Light indicators in reader
Diagnostics	Light indicators and handheld display
Audit Trail	Up to 4,000 events
Disability Feature	RCU readers interface with automatic power operated doors for special openings
Privacy Override	Emergency keycards

Certifications & Testing

Accessibility Standard	ADA compliant levers (Code of Federal Regulations 28 CFR Part 36 – 1994 "ADA Standards for Accessible Design")
BHMA/ANSI	Certified to be compliant with Grade 1 performance tests for "ANSI/BHMA A156.13 - 2012 "American National Standard for Mortise Locks and Latches," and "ANSI/BHMA A156.25 - 2013 "American National Standard for Electrified Locking Devices." (Only locks tested and approved by non biased third-party test lab are allowed in the "BHMA Certified Products Directory" found at www.buildershardware.com)
Fire Rating	Listed for pre-prepared manufactured doors and certified for retrofitting on existing doors by Underwriters Laboratories for use on fire doors having up to a three-hour rating. a. U.L. Certification: GWVW.R12071 "Accessories for Single-point Locks and Latches and Fire Exit Hardware." Evaluated in accordance with UL 10B and UL 10C. b. U.L. Listing: GYQS.R11247 "Electrically Controlled Single-point Locks and Latches." Evaluated in accordance with UL 10B and UL 10C. c. Also classified in accordance with Uniform Building Code Standard 7-2, "Fire Test of Door Assemblies" (1997)
Electronics	FCC Part 15 Class A and CE Directive 2014/53/EU compliant
Environmental Operating Conditions	Indoor side: 32°F to 151°F (0°C to 66°C) Outdoor side: -31°F to 151°F (-35°C to 66°C) 0% to 85% non-condensing humidity at 86°F (30°C)
Florida Building Code	Approved in the exterior door category (exterior door components). Code of approval is FL13061

Warranty

Standard Factory Warranty	Two years
Support Programs	dormakaba Service Plans (Platinum, Gold, Silver)