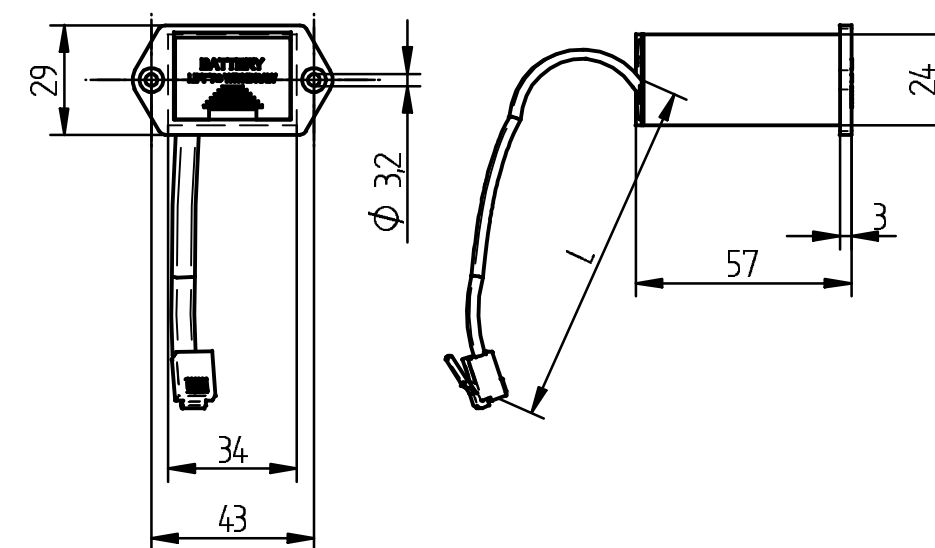
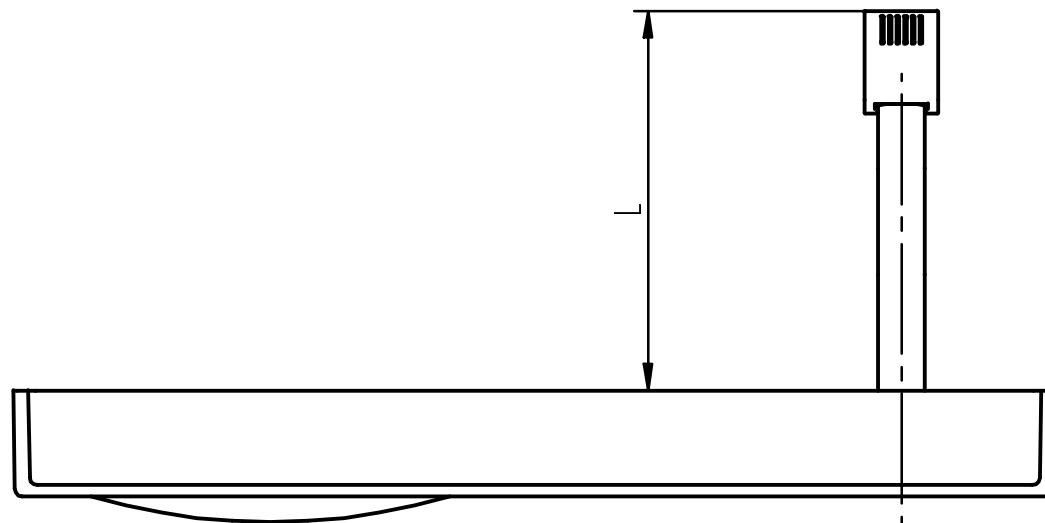
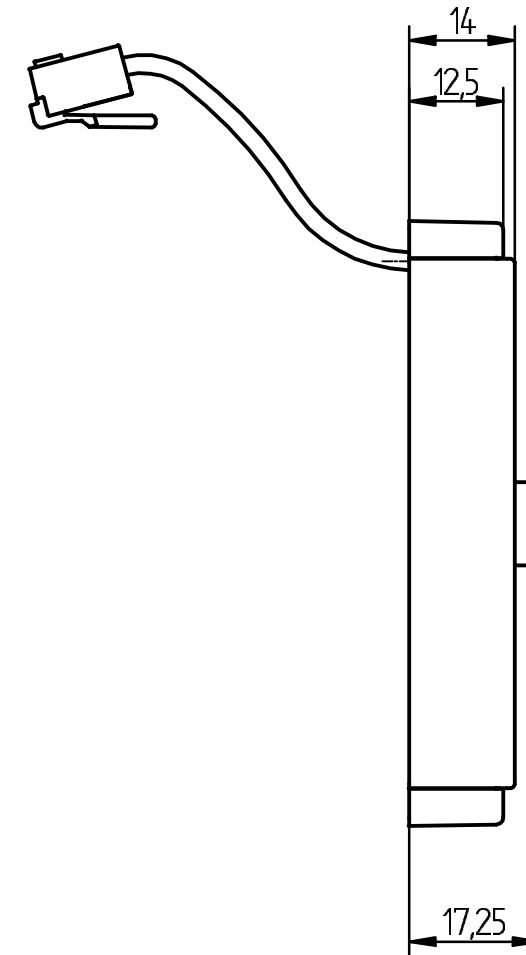
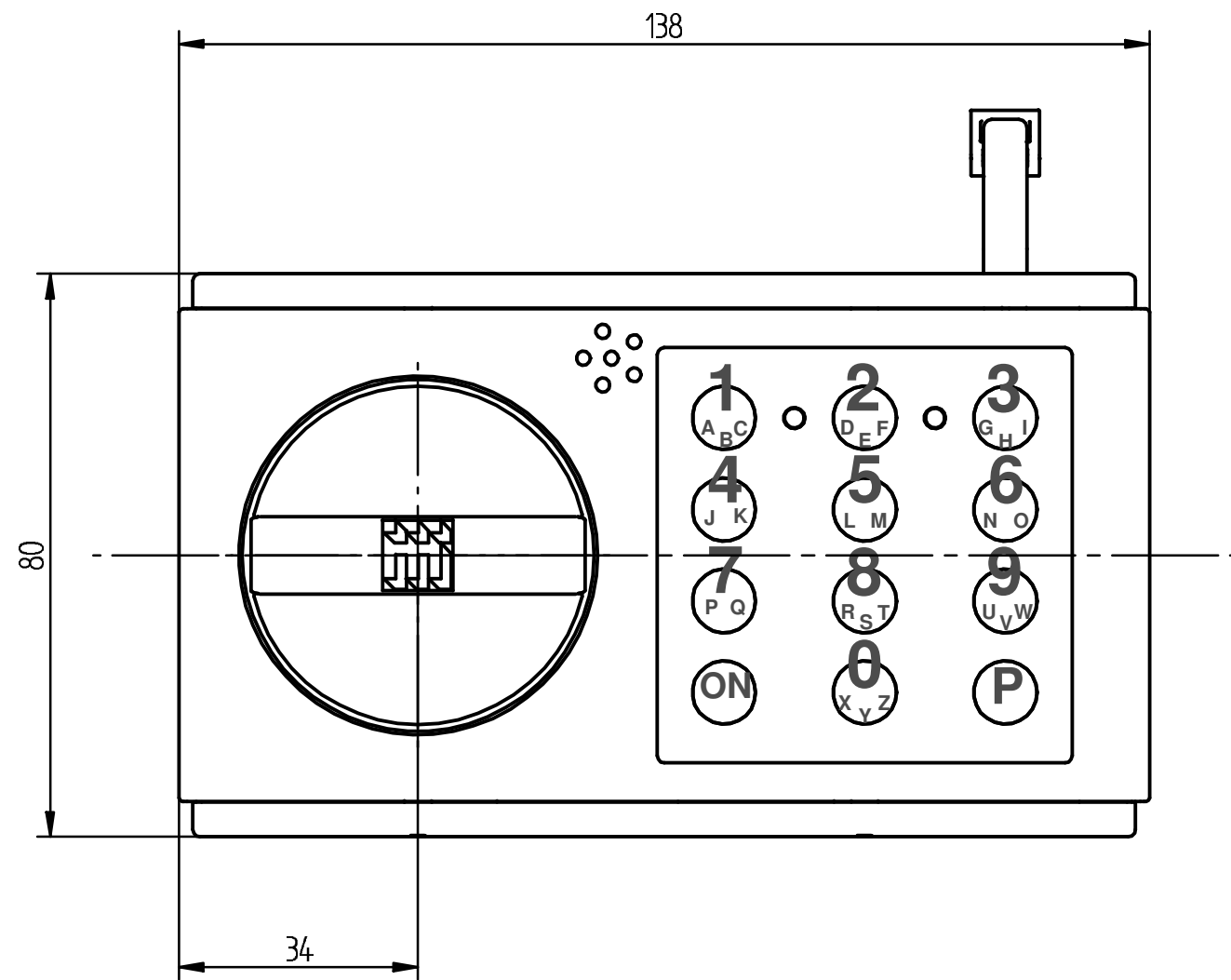
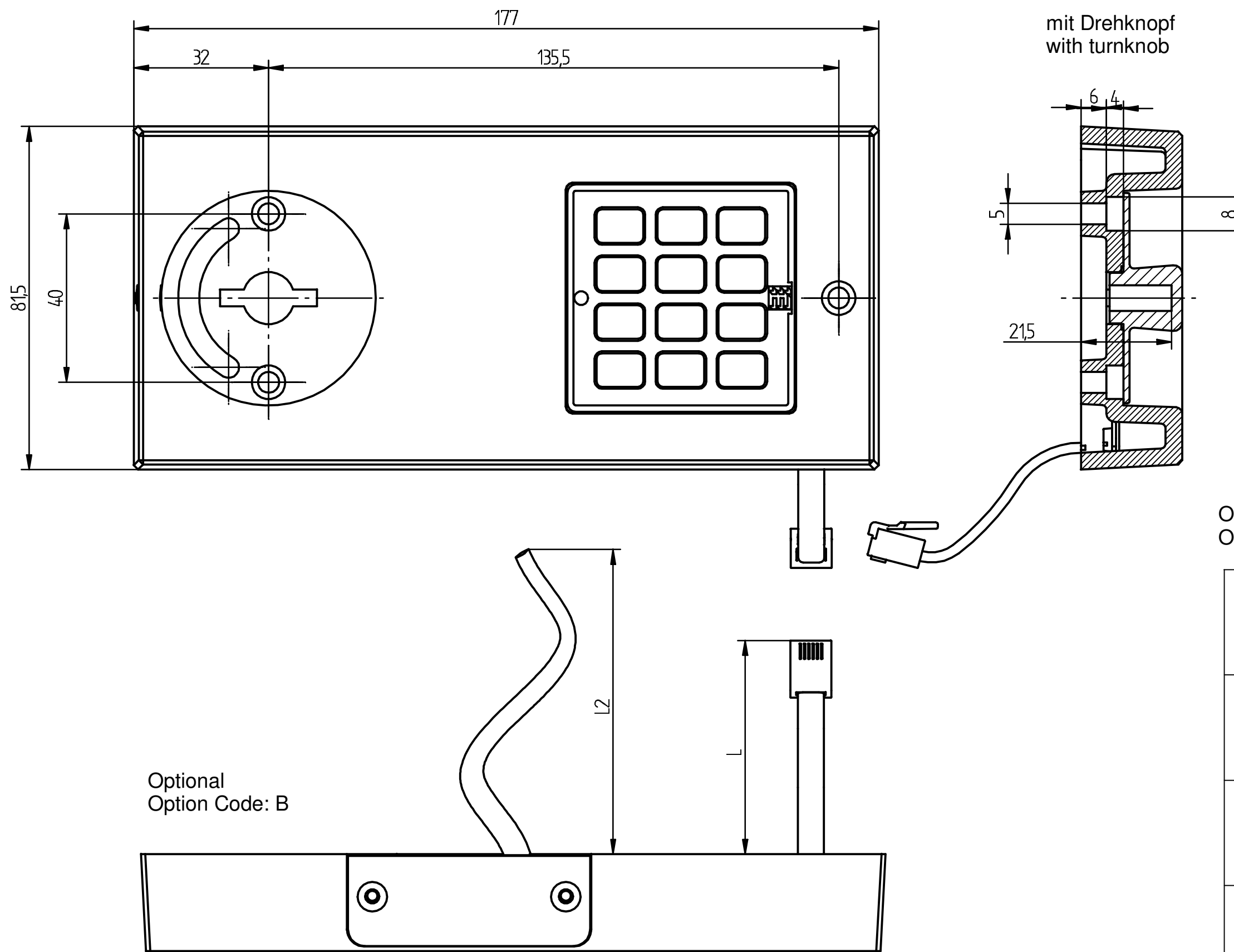


Batteriefach:
falls Option "B" nicht gewählt
Battery Case:
if Option "B" ist not selected



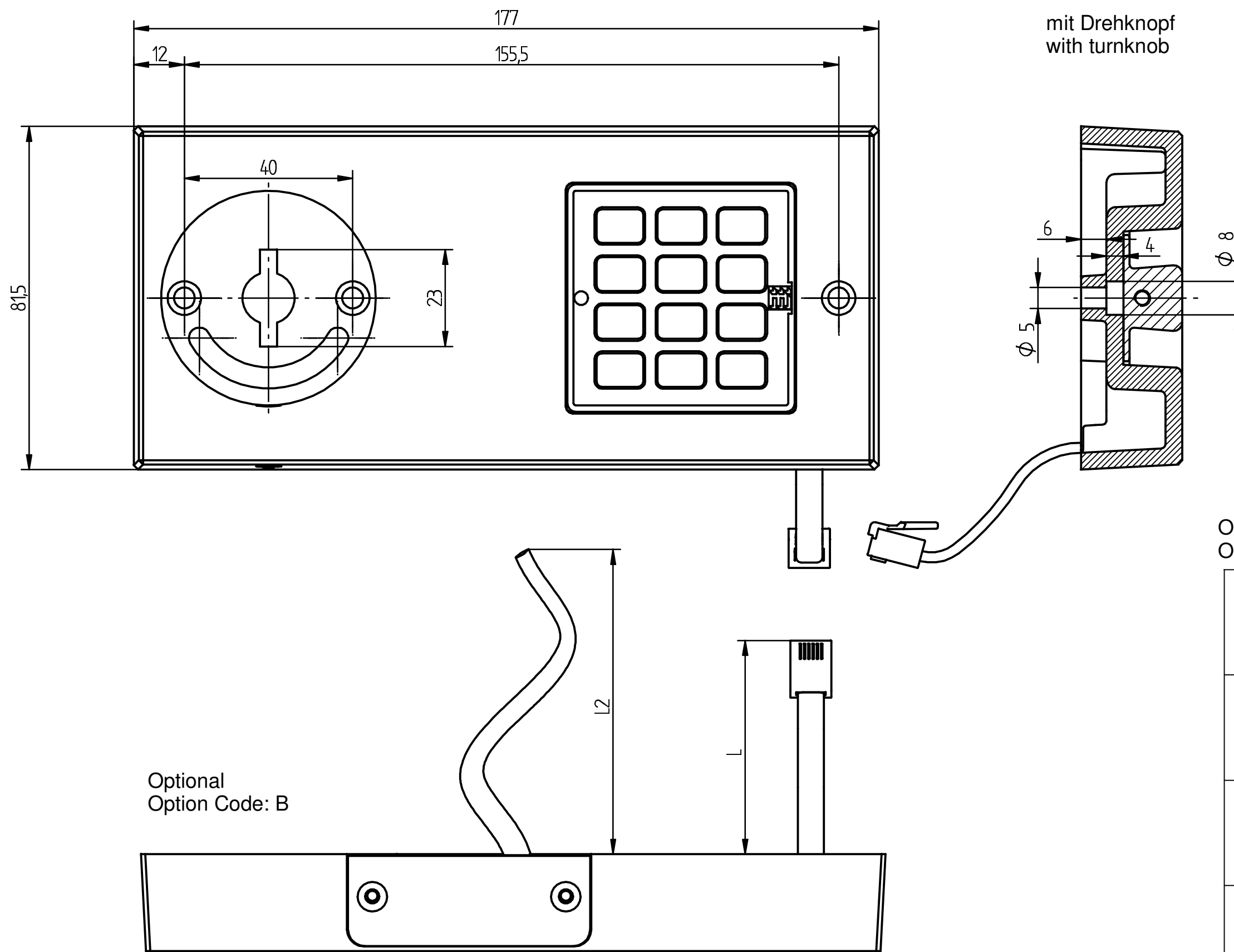




Optionscode
Option Code:

Einbausituation
Mounting possibilities:

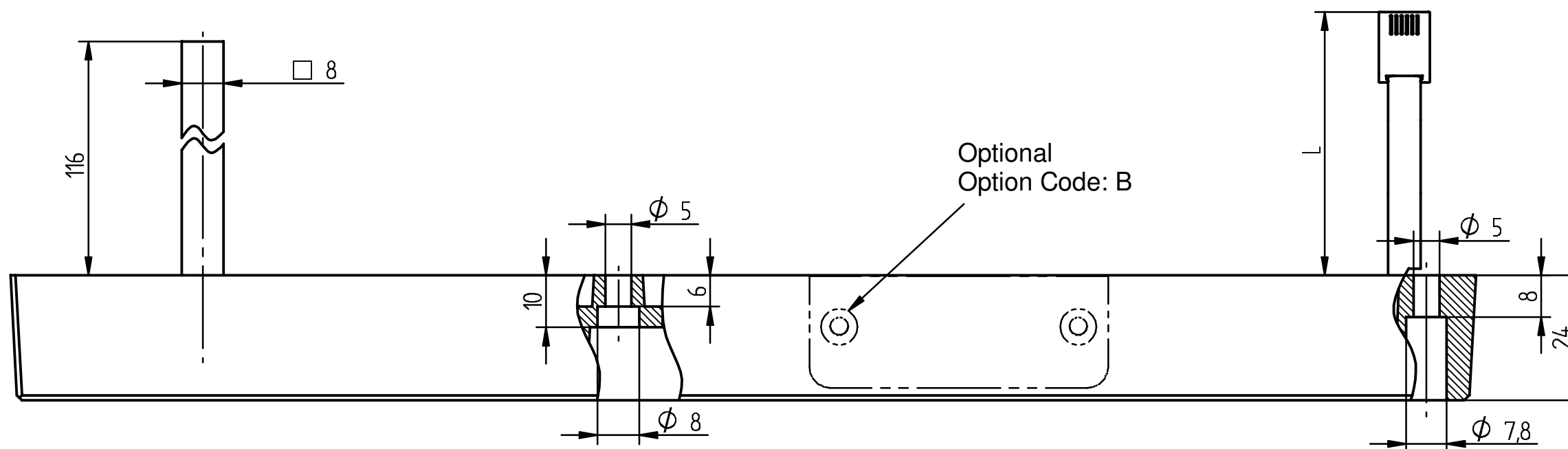
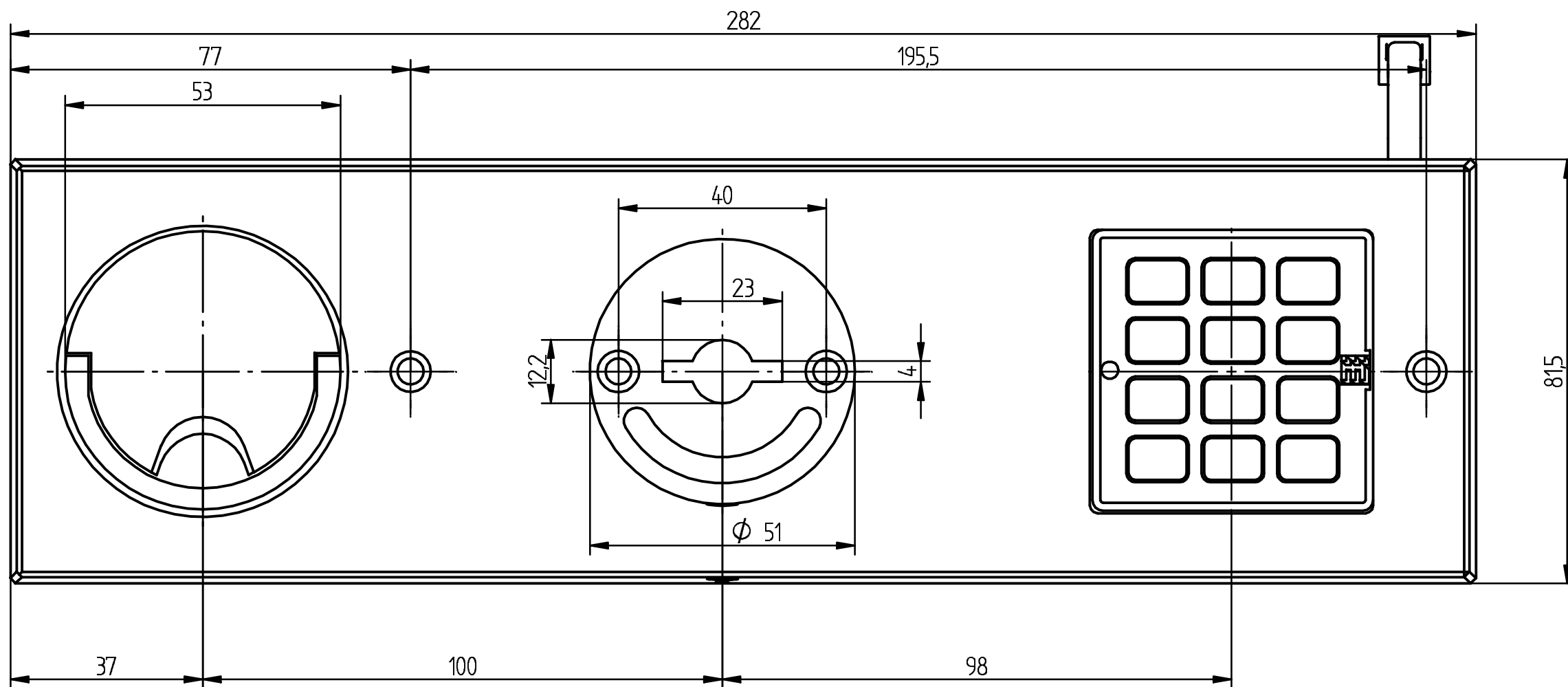
TR		+	-
TL		+	-
TO		-	+
TU		-	+

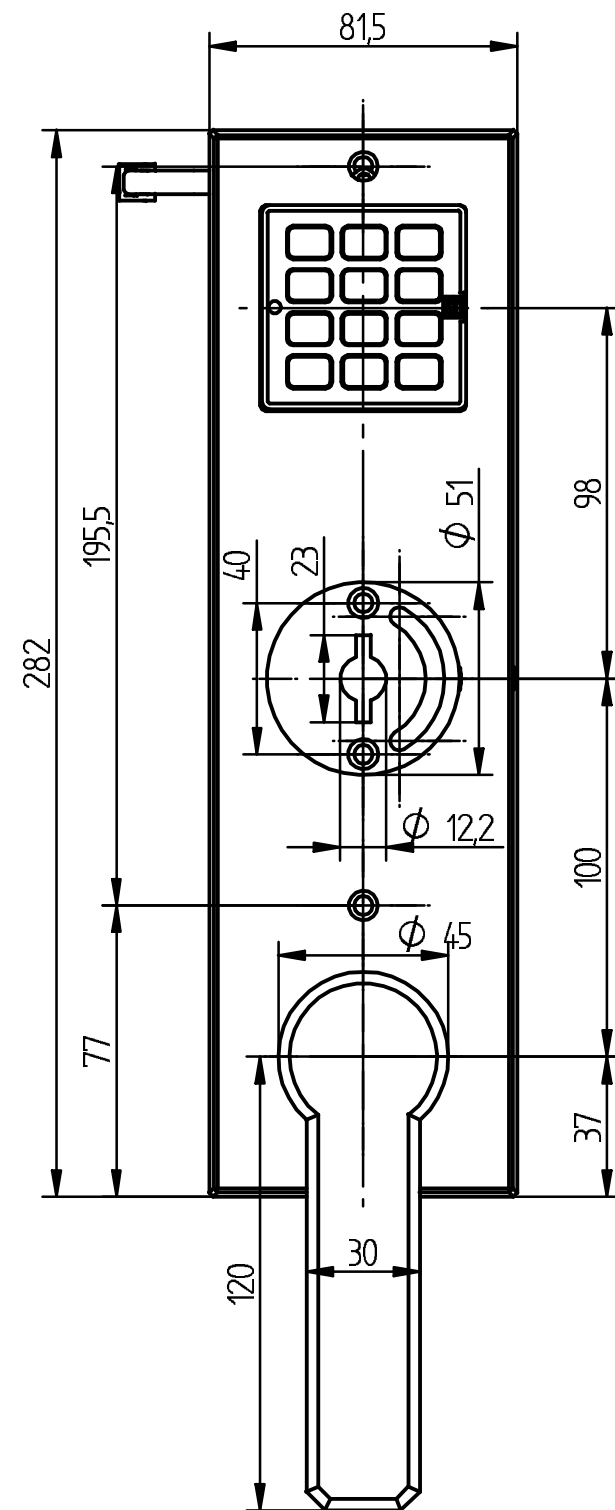


Einbausituation
Mounting possibilities:

Optionscode
Option Code

TR		-	+
TL		-	+
TO		+	-
TU		+	-





Optional
Option Code: B

