

KABA®

Kaba quattro plusS

The patented reversible key system

- Worldwide patented in 20 countries
- Cylinder complies with security protection tested of Austrian standard B 5338, EN 1303 class 5 (DIN cl. 3, Vds cl. B)
- Cylinder is available with steel housing for highest security level
- Maximal protection for the end user: replacement keys are made exclusively in the Kaba factory against signature and pass word
- Smart key bow caps are available in 11 different colours
- Smart key with Legic-chip for use in mechatronic cylinders Kaba elologic as well as in all Legic-applications

Technical Information and Dimensions

The reversible key is extremely difficult to copy. The code on the key is not made by drilling but by using a special type of milling which conceals the exact dimensions of the code on the key. There are also millings made on the edge positions. This gives additional security against unauthorized key duplications.

The system can have up to 22 pairs of pins per cylinder side. Resistance against picking is achieved by using especially designed pin tumblers. The lengths of the pairs of pins are always identical - this gives the highest level of anti-picking protection. Each of the up

to 22 pairs of pins can be varied up to 4 steps. The four rows of pins are radial positioned and can be fully varied to give an unlimited amount of variations.

The advantages at first sight

Flexibility

The cylinders are available from 60 up to 200 mm in length. Variable door thicknesses are no longer a problem. A full range of other cylinder types are available (camlocks, rim cylinders, padlocks, etc.).

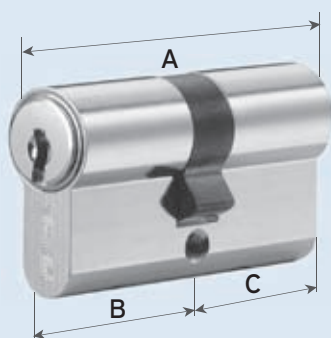
The modular construction allows the easy installation of inserts in other cylinder housings.

Security

In master key systems the Kaba quattro S modular cylinders guarantees no loss of security when compared to a normal pin tumbler cylinder.

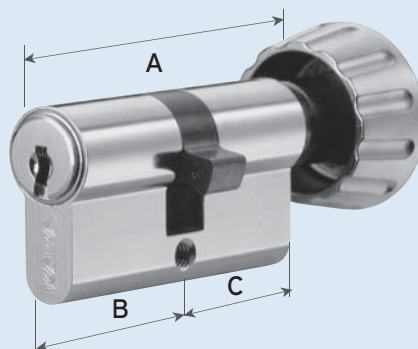
Kaba quattro S cylinder can be manufactured to the security levels setup below:

- DIN 18252 class 3b
- VdS Klasse B and
- European standard EN 1303 class 5



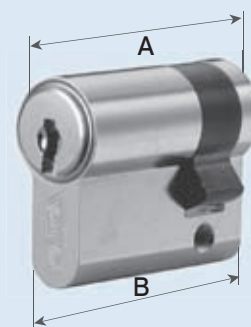
Double cylinder

Art.nr.	A	B	C
7DZ 30+ 30	60,0	30,0	30,0
7DZ 30+ 35	65,0	30,0	35,0
7DZ 30+ 40	70,0	30,0	40,0
.	.	.	.
7DZ 100+100	200,0	100,0	100,0



Thumbturn cylinder

Art.nr.	A	B	C
7DKZ 30+ 30	60,0	30,0	30,0
7DKZ 30+ 35	65,0	30,0	35,0
7DKZ 30+ 40	70,0	30,0	40,0
.	.	.	.
7DKZ 100+100	200,0	100,0	100,0



Single cylinder

Art.nr.	B
7HZ 30	30,0
7HZ 35	35,0
7HZ 40	40,0
.	.
7HZ 100	100,0