

InSync® L



Overview

The InSync L is a battery operated electronic lock with a tubular dead-locking latch bolt. An InSync L lock works with Windows®-based SAM RF software, an electronic key-encoding device, handheld utility device, and electronic RFID keys to create a comprehensive access control system. The system eliminates key cutting, lock replacement, and risks associated with unauthorized mechanical keys. In addition, it provides multiple levels of access control to provide the highest level of security.

Applications

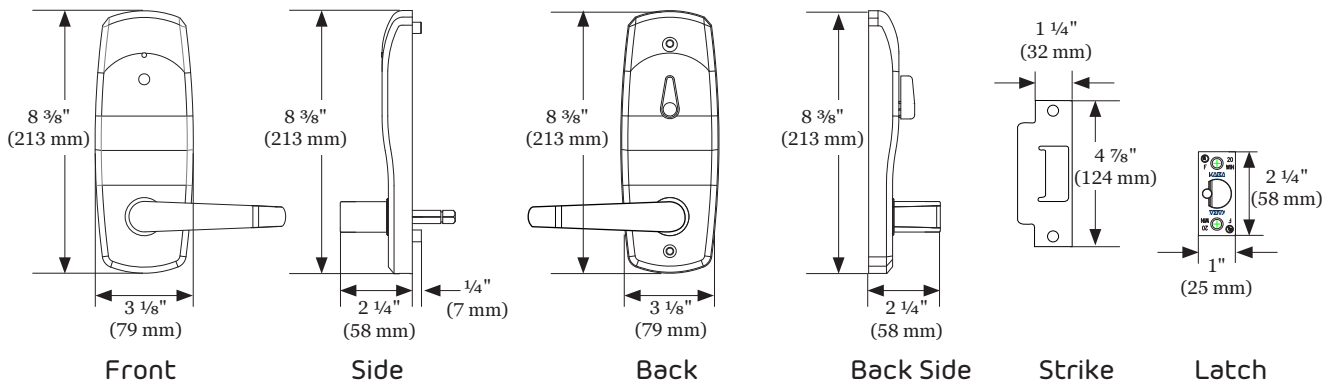
- Ideal for all types of multihousing applications, including apartment homes, student housing, assisted-living facilities, and military family housing
- Suitable for both new and retrofit projects
- Access control for unit, suite, and common areas

Security Features

- Dead-latching bolt operates with closure of the door
- Inhibit key cancels a specific key; for use when a key is lost or stolen
- Emergency keys open any lock on a property, including unit, suite, and common access area locks
- Limited Use keys for vendors, staff members, and potential residents who may need regulated access to unit or common access areas

Low Maintenance


- Locks indicate low power signal with key insertion
- Designed for extended battery life
- Weatherized to withstand environmental conditions



Features

Access Control	<p>The InSync "L" unit lock provides true residential entry lock functionality. Each time the inside lever is rotated the lock enters an unlocked state, eliminating the possibility of a lockout. Insertion of the key and rotation of the outside lever provides ingress and always returns the lock into the unlocked position. Inserting the key into the lock after egress, places the lock back into the locked position. The inside thumbturn toggles the lock from unlocked to locked. With the Entry Configuration, the InSync "L" unit lock behaves like a hotel lock; the lock will always re-lock behind a resident and the thumbturn works like a privacy switch.</p> <p>Suite locks allow access to residents who have individual units behind the suite door. Suite locks automatically re-lock and do not have a privacy feature (thumbturn); however with the Suite Egress Configuration, a Suite lock acts like a Unit lock where the key or thumbturn is used to manually re-lock the lock.</p> <p>Unit or Suite locks can recognize up to 256 individual key IDs plus unlimited "Limited Use Key" IDs at any time. Common locks provide access to common use areas, such as fitness center, parking garage, and pool.</p>
Credential	Locks use an RFID memory key that employs special polymer construction to repel moisture. The InSync RFID key with dual technologies includes standard HiTag technology along with Prox, MIFARE® or DESFire® option.
Locking Device Options	Tubular dead-locking latch bolt
Audit Trail	Unit locks store the last 200 entries to the lock and Suite locks store the last 100 entries, including time, day, and key identification or user name. Common locks can store up to 2,000 entries.
Programming	Locks and common readers are programmed and audited using a Utility Device
Key Levels	Resident, zone, master, limited use, and emergency

Mechanical Features

Exterior Dimensions	8 3/8" h x 3 1/8" w x 2 1/4" d
Latch	1/2" tubular deadlatch
Power	Four (4) standard size AA alkaline batteries
Levers	ADA Compliant 
	Note: Verify that Vintage, Gala, and Arc levers comply with local fire code requirements.
Standard Finishes	Bright Chrome (26), Satin Chrome (26D), Bright Brass (U3), Satin Brass (U4)
Optional Finishes	Satin Nickel (U15) or Dark Mahogany (10B)
Backset	2 3/8" (60mm) or 2 3/4" (70mm), adjustable – no special tools required
Weight	8 lbs. (3.62 kg)

Installation

Door Preparation	Standard deadbolt
Door Thickness	1 3/8" – 2" (35mm to 51mm)
Fire Rating	UL certified for use on fire-rated doors up to a 20-minute rating
Environmental	Indoor/outdoor approval: -31 °F to 151 °F (-35 °C to 66 °C)
Accessibility Standard	ADA compliant levers and thumbturn

Warranty

Standard Warranty	One year from the date of installation
Extended Warranty	Kaba Service Plans (Platinum, Gold, Silver)

Standard Finishes



Bright Chrome



Satin Chrome



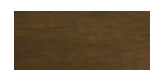
Bright Brass



Satin Brass



Satin Nickel



Dark Mahogany

Optional Finishes