

Thumbturn Cylinder in Europrofile

DKZ.AK676 One Way Knob Turn Direction



Application:

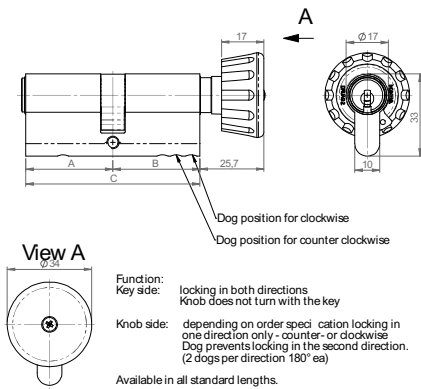
For all mortise door locks in Europrofile. The thumbturn knob is installed on the inside allowing the door to be safely un/locked from the inside without a key. An integrated pin lets the knob be turned in the pre-selected direction only

Specification:

Housing supplied in solid natural brass with nickel plating
 Reversible key made from nickel silver
 Emergency key function
 (Please order emergency key separately, see chapter "Special Functions and keys").

Included with the cylinder:

3 reversible keys, specify type separately (see "Special Functions and Keys" for options)
 Plastic key clip in dark red for Kaba penta, in dark blue for all other systems
 1 cylinder fastening screw M5 x 70 mm
 Security Card for ownership registration and ordering duplicate keys
 Installation and Maintenance Instructions



Premier Systems:	6 Kaba penta	7 Kaba quattro pluS	12 Kaba gemini pluS
Patent expired systems	4 Kaba quattro S	2 Kaba gemini S	
Old systems	3 Kaba quattro ¹⁾	1 Kaba gemini ¹⁾	
Dealer systems	5 Kaba experT ²⁾	19 Kaba maTriX ²⁾	
Old dealer system		9 Kaba gemini T ²⁾	

Lengths Standard - each side from 30 to 100 mm in 5 mm steps
 Special over 100 mm

Options (See „Special Functions and Keys“ for details)

RK	Round knob	MK	Mega knob	OK	Oval knob (only NI)
MK Mega Knob is only available in nickel coated (NI) and polished brass (MP)					
BAZ	Construction key	BAZ3	Construction key 3	GF	Emergency key
DF	Duplo function		Special Cams	KT	Electrical contact
FZG	Freewheel cam for gear operated (panic) locks			BL	Blind on one side
RB	Relative cam movement			SSW	Weather protection
DIN.ZS	DIN18252 certified: pulling protection			DIN	Drilling protection
VDSB.ZS	VdS certified : Pulling and drilling protection			VDSB	Pulling protection
LAM	Pulling protection with steel shims in housing			ST	Steel housing

Standard Surface Finishes

NI - Nickel plated	MS - Brass natural	
--------------------	--------------------	--

Optional Surface Finishes

BH - brown light	MP - Brass polished	CR - Chrome standard
BM - brown medium	MSA - Brass antique	CRM - Chrom dull
BD - brown dark		CRP - Chrome polished
NIC - chemically nickel plated		
GO - gold plated		

Order Code System

System Code.Cylinder Type.Length(function)+Length(function).Surface finish.Option

Example:

6.DKZ.30+30RK.NI.AK676 = penta.thumbturn cylinder.30+30 round knob.nickel plated.
 one way knob turn

Kaba gemini and Kaba quattro are only offered for existing master key systems.

²⁾ Kaba experT, Kaba maTriX and Kaba gemini T are only sold to authorized dealers.