



SECURE HOLD: EVEN FOR LAMINATED SAFETY GLASS

HSW EASY Safe. Securely holds even laminated safety glass thanks to the proven Clamp & Glue technology.

HORIZONTAL SLIDING WALL

Contents



Increased security and design freedom

Clamp & Glue technology allows the use of laminated safety glass
4



Easy installation

With 3-in-1 Multilock
5



Better overview

With locking status display
6



Perfect symbiosis of technology and design

With concealed door closers
6



HSW EASY SAFE – SECURITY IN USE AND ELEGANCE IN DESIGN

The improved horizontal sliding wall.



Outstanding strengths of the HSW EASY Safe system:

- The optional use of laminated safety glass increases security and also widens the creative possibilities.
- A visible status display with a clear color system indicates the status of the top locking device on the pivoting/sliding panel. This gives a better overview and even more security.
- Double brush seals in the top and bottom glazing rails, successfully minimize drafts.
- The new EasyKIT modular system in combination with DORICON planning software enables easy planning and efficient installation.

INNOVATIVE HOLD FOR MORE SECURITY

Improved security with the use of laminated safety glass.



Hassle-free installation thanks to the new Clamp & Glue technology

The fixing process with HSW EASY Safe is incredibly simple. The special adhesive is fed through an injection hole to the adhesive channel where it spreads out evenly. After a drying time of just 15 minutes the panel can then be installed.



Creative freedom combined with security

Thanks to the innovative Clamp & Glue bonding technology, the HSW EASY Safe system allows the use of highly secure laminated safety glass. With the insertion of inlays within the laminated safety glass, the horizontal sliding wall can be used as

a custom design element, thus setting new standards in interior design.

Attractive added value:

- Laminated safety glass makes the application of HSW EASY Safe not only attractive, but also more secure.

- The innovative Clamp & Glue technology enables easy bonding and also ensures that fittings and glass are held firmly in place.
- Special inserts in the laminated safety glass offer huge design freedom as well as additional functions such as protection from the sun, noise reduction and privacy screening.

SIMPLE LOCKING WITH HAND OR FOOT

Multilock. Three locking possibilities in one component.



The new Multilock system opens up a new world of simplicity

The Multilock combines three locking possibilities in one compact element and can be installed effortlessly in the bottom door rail.

- 1 Face-mounted lock
- 2 Cylinder lock
- 3 End-mounted lock

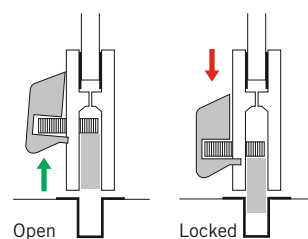


Simplicity with clear benefits:

- The 3-in-1 Multilock offers three options for secure locking: front locking device, side locking device or cylinder lock.
- Installation of the Multilock is quick and easy because of the simple plug-in connection.
- Maximum convenience with foot-operated locking options for the face-mounted floor bolt – simple and hassle-free.



Easy foot-operated opening and closing



INTELLIGENT SOLUTIONS FOR MORE CONVENIENCE AND SECURITY

HSW EASY Safe. More clarity and easier locking thanks to status display.



Status display			
Sliding function	locked	locked	open
Door function	open	locked	locked

Locking status at a glance

Security and convenience in one. The top door locking device clearly shows the locking status of the door panel on the status display. This gives the user a greater feeling of reassurance and security.



The concealed door closer – almost invisible and hassle-free

The perfect symbiosis of technology and design. With the HSW EASY Safe, the ITS 96 2–4 door closer of the pivoting/sliding panel is completely concealed

in the top glazing rail and therefore remains almost invisible.



Less draft for even greater comfort

Innovative double brush seals in the top and bottom door rails improve door closure and noticeably minimize the amount of draft. The vertical brush seals, which are also optionally

available, can be fitted up to the full height of the panel and give additional draft proofing – for noticeably greater comfort.

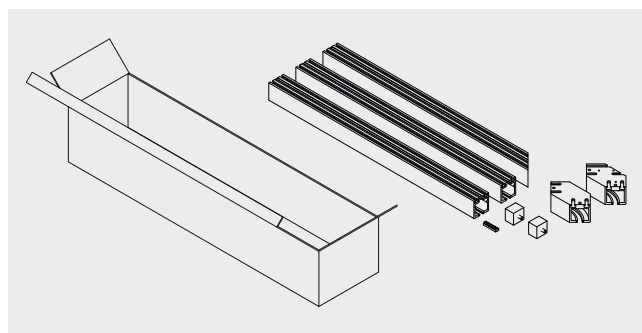
HASSLE-FREE AND SECURE PLANNING AND OPERATION

EasyKIT. The modular system that makes the realization childishly simple.

Efficient and hassle-free support – during all phases.

EasyKIT offers outstanding simplicity. The standardized modular system makes the realization of an HSW solution child's play. With the use of optional modular elements the HSW EASY Safe

system can be easily planned and efficiently installed. Component standardization ensures significantly shorter installation times. Services from the global DORMA subsidiaries simplify realization – straight-forwardly and cooperatively.



Aesthetic and hassle-free – DORMA horizontal sliding walls.

They combine high flexibility, elegant transparency, ease of installation and convenient operation in a single system. Above all, they offer all these benefits together with excellent security as soon as laminated safety glass is installed – and meet all relevant standards.

	Standards
Heat insulation	<ul style="list-style-type: none"> Heat transfer coefficient in accordance with DIN EN ISO 10077-1 and 10077-2
Wind load	<ul style="list-style-type: none"> Frame bending class B3 in accordance with EN 12210 Testing method in accordance with EN 12211 Classification based on DIN EN 14351-1
Endurance strength	<ul style="list-style-type: none"> Class 3 or better in accordance with DIN EN 1527, corresponds to 25,000 cycles for suspended sliding doors > 100 kg Class 3 or better in accordance with DIN EN 1191, corresponds to 20,000 cycles for door function for pivoting double-action panel, pivoting double-action sliding panel and single-action door.
Impact test	<ul style="list-style-type: none"> DIN EN 13049 (simulation and impact loads)
Corrosion test	<ul style="list-style-type: none"> Class 5 in accordance with DIN EN 1670 (near coast)
EPD (Environmental Product Declaration)	<ul style="list-style-type: none"> Conforms to ISO 14040



DORMA-Glas GmbH
Max-Planck-Straße 33–45
32107 Bad Salzuflen
GERMANY
Phone +49 5222 924-0
Fax +49 5222 21009
www.dorma.com

DORMA Deutschland GmbH
DORMA Platz 1
58256 Ennepetal
GERMANY
Phone +49 2333 793-0
Fax +49 2333 793-4950
www.dorma.com