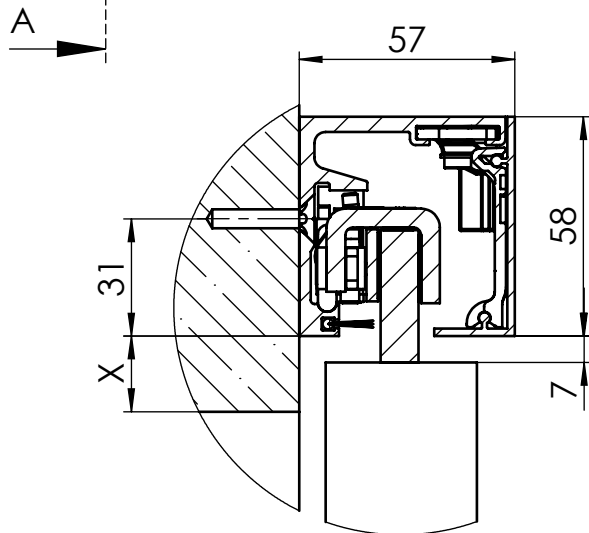
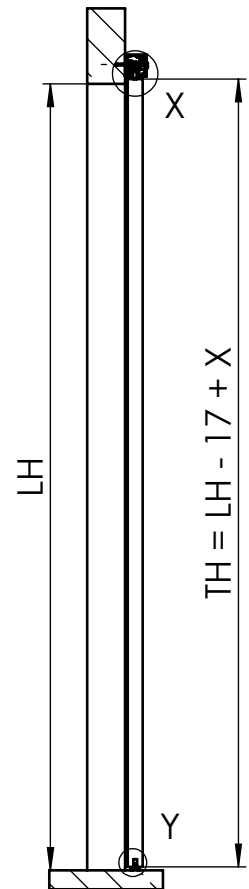
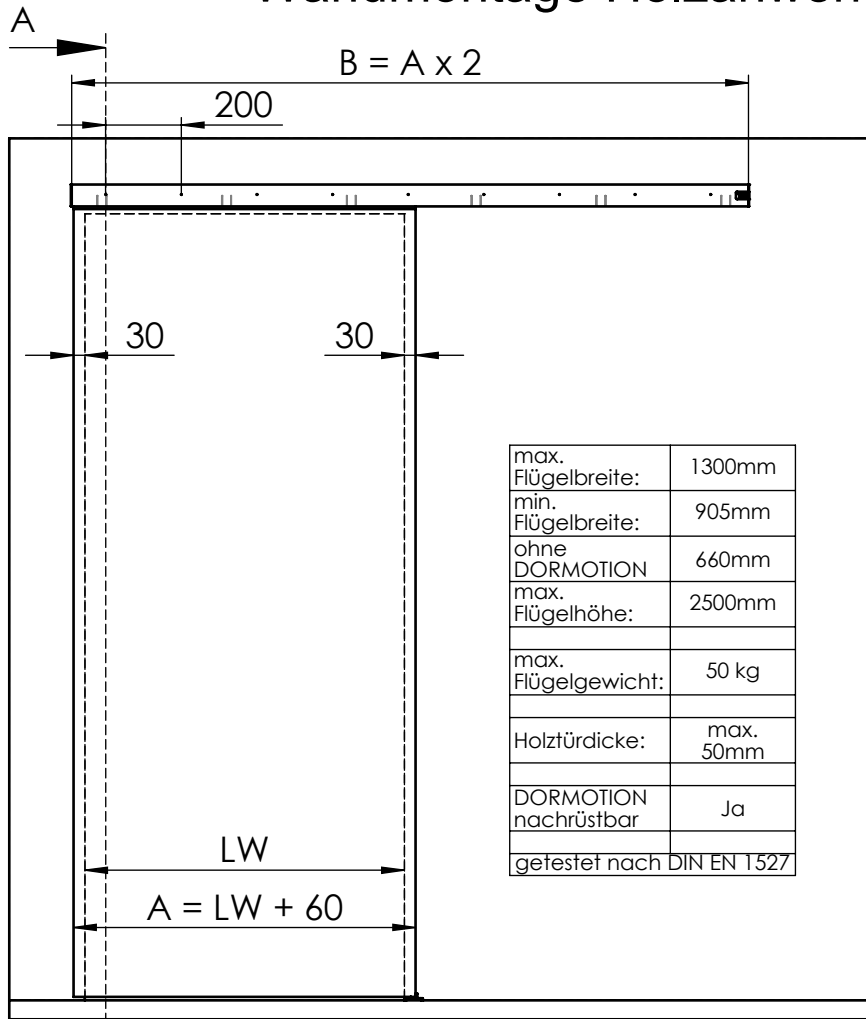
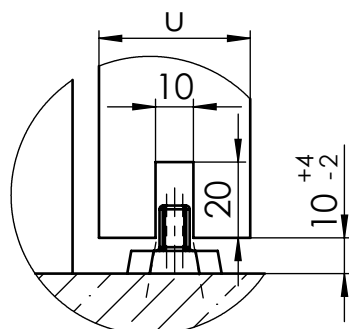


MUTO Comfort M DORMOTION 50 Wandmontage Holzanwendung

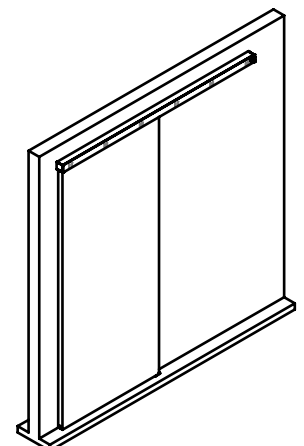


Detail X (1 : 2)



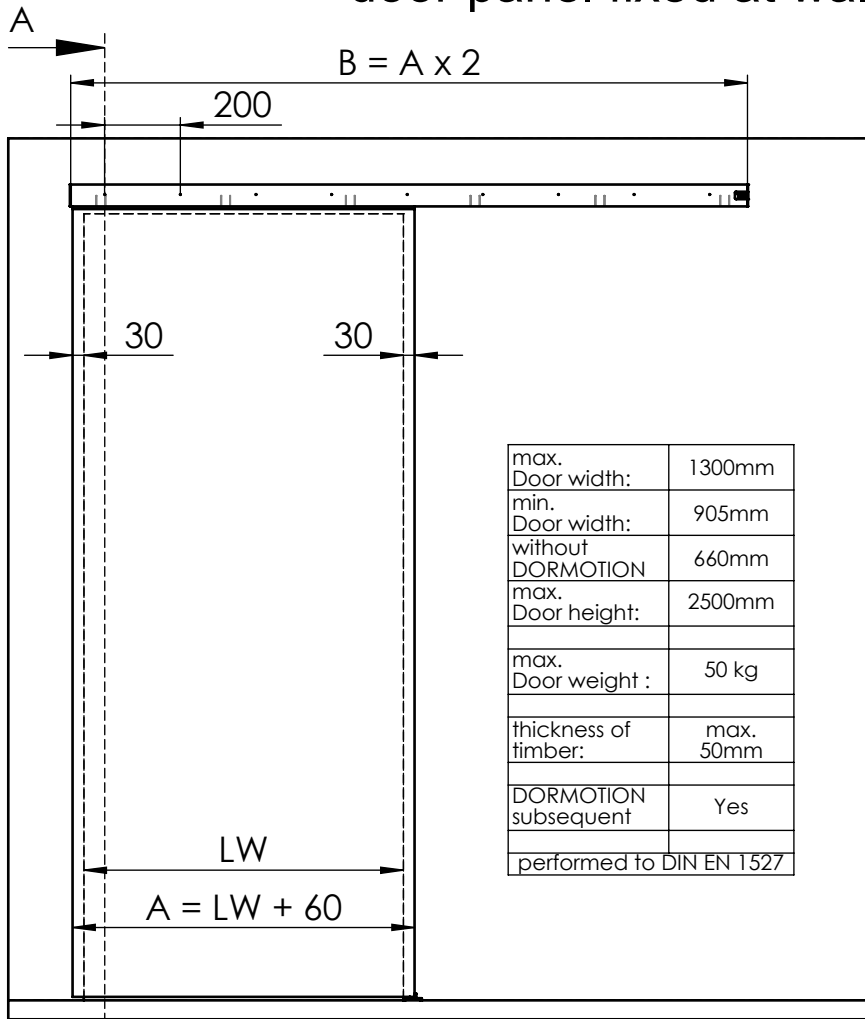
Detail Y (1 : 2)

A	Flügelbreite
B	Laufschiene ­ länge
LH	lichte Höhe
LW	lichte Weite
TH	Türhöhe
X	Überstand
u	Holztürdicke

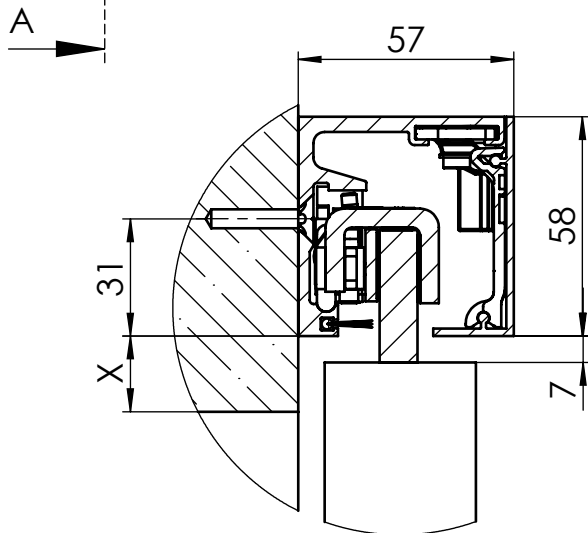
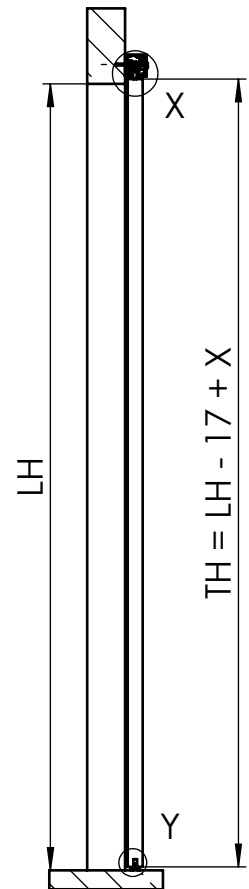


36-157-W

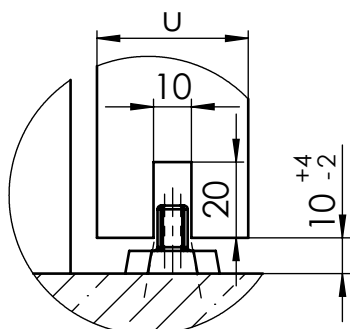
MUTO Comfort M DORMOTION 50 timber door panel fixed at wall



max. Door width:	1300mm
min. Door width:	905mm
without DORMOTION	660mm
max. Door height:	2500mm
max. Door weight :	50 kg
thickness of timber:	max. 50mm
DORMOTION subsequent	Yes
performed to DIN EN 1527	

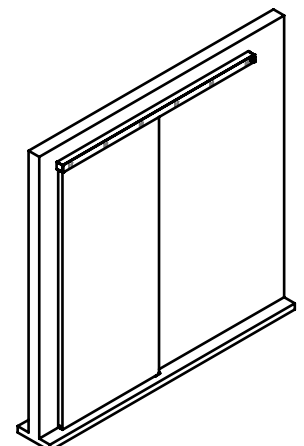


Detail X (1 : 2)



Detail Y (1 : 2)

A	Glass width
B	length of track
LH	clear opening height
LW	clear opening width
TH	Door height
X	protrusion
u	thickness of timber



36-157-W