

EA

General information

50

EA patch fittings for offset hung doors, 24 mm frame stop depth

52

EA patch fittings for offset hung doors, various frame stop depths

54

EA patch fittings for offset hung doors in toughened glass assemblies

56

Top centres for wood and steel frames

58

Glass preparation details

60

Accessories

132

Safety-related information

157



THE EXPANSIVE RANGE WITH SLIMLINE BODIES FOR OFFSET HUNG DOORS

EA patch fittings are characterized by their slim, neat shape and skilful hinge design. This comprehensive range of fittings allows the transparent elegance of single-action doors to reach their full potential – whether hung in frames or integrated in toughened glass assemblies.

Easy glass preparation secure fixing

DORMA-Glas has an intimate knowledge of the special properties of glass as a building material. This has led to the design of fittings requiring only minimal glass preparation – a quick and easy cut out with additional holes. Carefully

considered and positive measures have been taken to create the maximum clamping surface with optimum clamping efficiency.

Suitable for 10, 12 and 8 mm glass thicknesses

DORMA EA patch fittings are available for 10 and 12 mm glass thicknesses. With additional gaskets these fittings can also be used for 8 mm glass.

Reliability built in

Quality materials and thorough workmanship mean that EA patch fittings have the features necessary to meet the most demanding of specifications.

Matching range of locks

The EA range includes a variety of locks and strike boxes in a matching design concept, giving the designer plenty of choice from the options available.

Virtually unlimited choice of colours and finishes

EA corner patches are available in the following finishes

- Aluminium, silver anodised EV 1, C 0 (101)
- Aluminium, similar satin stainless steel (107)
- Brass, polished chromed (501)
- Brass, polished (503)
- Bespoke colour anodising (199)

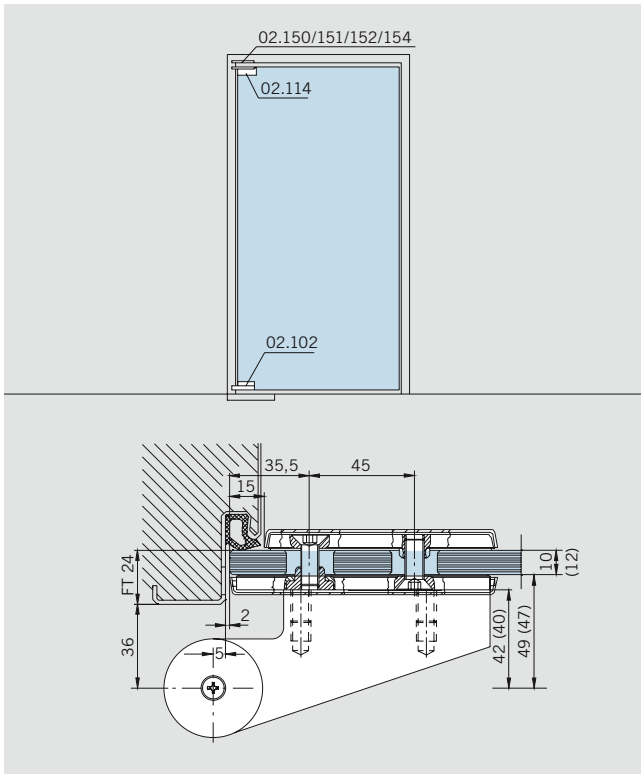
- Bespoke powder coating (399)

Short delivery times

All the common patterns and types are available ex-stock (factory). Specials will be prepared promptly.



OFFSET HUNG DOORS IN REBATED FRAMES AND TOUGHENED GLASS ASSEMBLIES



Offset hung doors in rebated frames

max. door weight: 90 kg
 max. door width: 1000 mm,
 using a bottom door rail:
 1100 mm

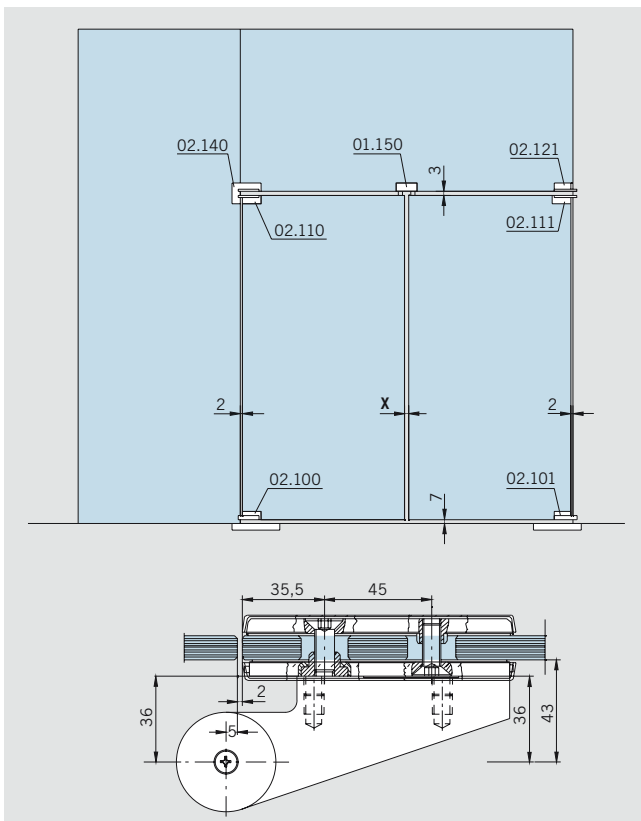
EA patch fittings for offset hung doors in rebated frames are supplied as standard prepared for 24 mm rebate depth. They can be prepared to suit rebate depths from 15 – 23 mm, and from 25 – 40 mm. Please specify rebate depth with order.

max. door weight for 25–40 mm rebate depth: 80 kg
 max. door width for 25–40 mm rebate depth: 900 mm

For doors with max. weight of 80 kg and max. width of 1000 mm use door rails.

The top centre frame portions are prepared to suit wood and steel frames. For aluminium frames, please enquire, giving details of aluminium system.

FT = rebate depth



Offset hung doors in toughened glass assemblies

max. door weight: 100 kg
 max. door width: 1100 mm

For door weights up to 100 kg and widths up to 1200 mm, door rails should be used.

EA patch fittings for offset hung doors in toughened glass assemblies have a 36 mm offset (= 43 mm from pivot point to glass surface).

Gap required between leaves on pairs of doors

Individual leaf width in mm	X = gap required in mm
400 – 600	8
600 – 1000	6

Torque for fixing screws

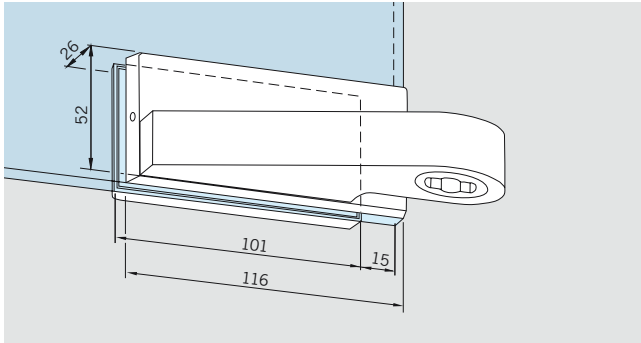
Screws M 8: 12 Nm

PATCH FITTINGS FOR OFFSET HUNG DOORS IN REBATED FRAMES WITH 24 MM REBATE DEPTH

For 10 mm glass thickness (42 mm offset = 49 mm from pivot point to glass surface), complete.

For 12 mm glass thickness (40 mm offset = 47 mm from pivot point to glass surface), complete.

Accessories see page 132.



Bottom patch fitting

to suit DORMA floor spring spindle, or round pivot

14 mm Ø counter-plate reduced by 15 mm to give free glass edge at side

For 10 mm glass thickness

For 12 mm glass thickness

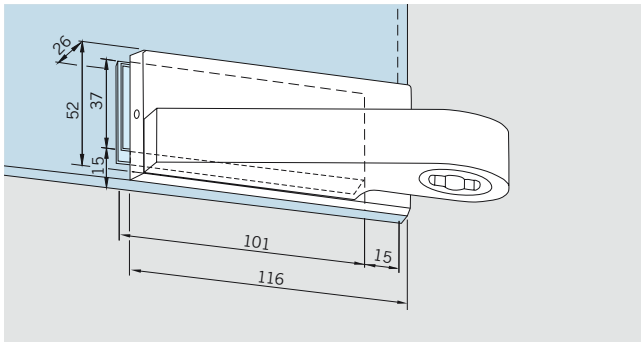
Art. No. *02.102 / 02.103

Art. No. *02.160 / 02.161

Weight in kg:

aluminium 0.747

brass 1.348



Bottom patch fitting

to suit DORMA floor spring spindle, or round pivot

14 mm Ø counter-plate reduced by 15 mm to give free glass edge at side and bottom

For 10 mm glass thickness

For 12 mm glass thickness

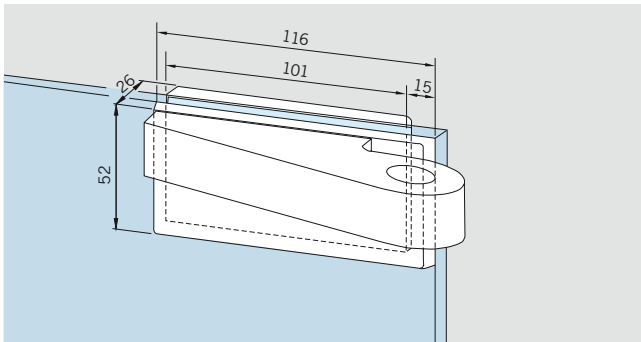
Art. No. *02.104 / 02.105

Art. No. *02.162 / 02.163

Weight in kg:

aluminium 0.715

brass 1.308



Top patch fitting

counter-plate reduced by 15 mm to give free glass edge at side

For 10 mm glass thickness

For 12 mm glass thickness

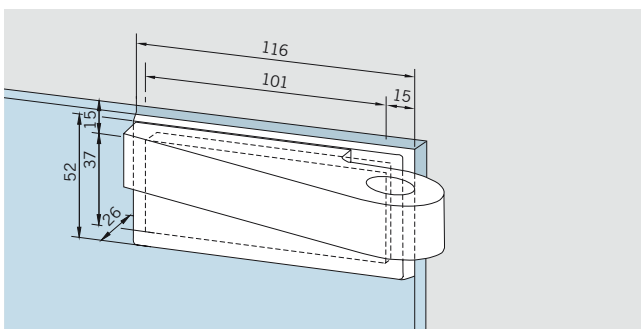
Art. No. *02.112 / 02.113

Art. No. *02.164 / 02.165

Weight in kg:

aluminium 0.680

brass 1.314



Top patch fitting

counter-plate reduced by 15 mm to give free glass edge at side and top

For 10 mm glass thickness

For 12 mm glass thickness

Art. No. *02.114 / 02.115

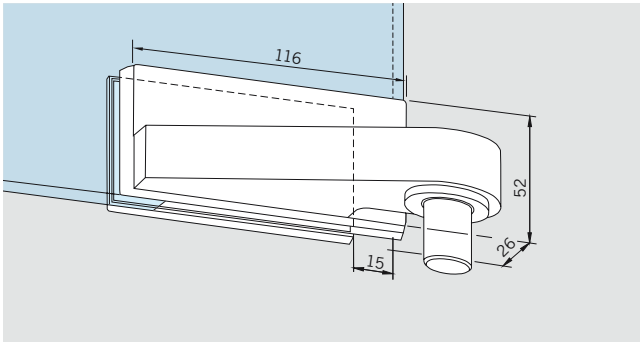
Art. No. *02.166 / 02.167

Weight in kg:

aluminium 0.644

brass 1.271

* Order of Art.No.: Left hand / right hand – determined by view from hanging side. (Illustration shows right hand)

**Overpanel patch fitting**

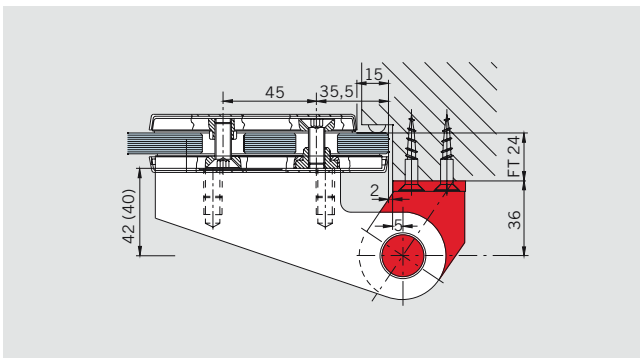
counter-plate reduced by
15 mm to give free glass edge
at side, bushing outside \varnothing 20
mm, pivot \varnothing 15 mm
For 10 mm glass thickness
For 12 mm glass thickness

Art. No. *02.122 / 02.123

Art. No. *02.168 / 02.169

Weight in kg:

aluminium	0.654
brass	1.292

**Top patch fitting**

complete with pivot for frame
fixing, counter-plate reduced by
15 mm to give free glass edge
at side
For 10 mm glass thickness
For 12 mm glass thickness

Art. No. *02.206 / 02.207

Art. No. *02.170 / 02.171

Weight in kg:

aluminium	0.915
brass	1.821

(For frames without rebate see
page 57.)

* Order of Art.No.: Left hand / right hand – determined by view from hanging side.
(Illustration shows right hand)

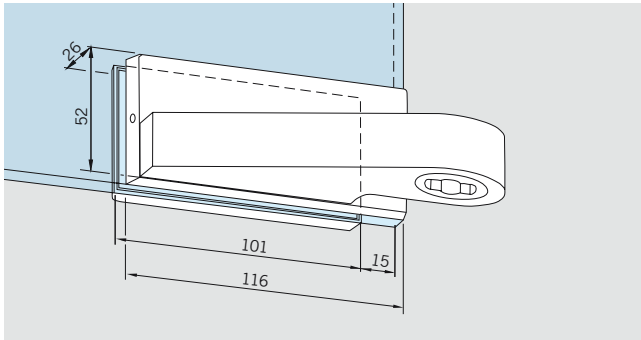
PATCH FITTINGS FOR OFFSET HUNG DOORS IN REBATED FRAMES WITH VARIOUS FRAME STOP DEPTH

Please specify rebate depth with order.

Rebate depth X = distance between outer surface of frame and rebate/stop (15 to 23 resp. 25 to 40 mm).

Offset = rebate depth + 18 mm (33 to 41 resp. 43 to 58 mm). Complete, for 10 mm glass thickness.

Accessories see page 132.

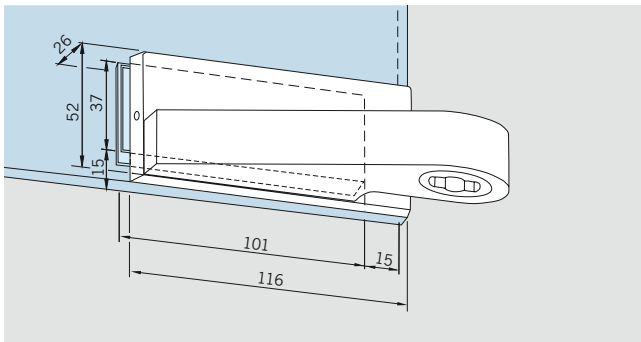


Bottom patch fitting

to suit DORMA floor spring spindle or round pivot 14 mm Ø, counter-plate reduced by 15 mm to give free glass edge at side

Art. No. *02.106 / 02.107

Weight in kg:
aluminium 0.832
brass 1.591

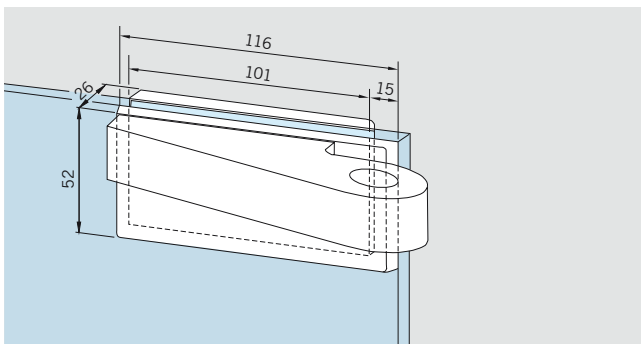


Bottom patch fitting

to suit DORMA floor spring spindle or round pivot 14 mm Ø, counter-plate reduced by 15 mm to give free glass edge at side and bottom

Art. No. *02.108 / 02.109

Weight in kg:
aluminium 0.800
brass 1.548

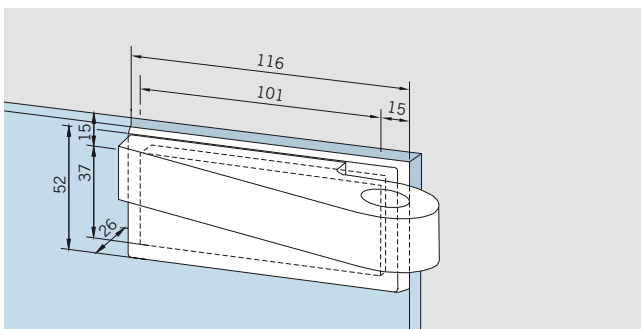


Top patch fitting

counter-plate reduced by 15 mm to give free glass edge at side

Art. No. *02.116 / 02.117

Weight in kg:
aluminium 0.760
brass 1.569



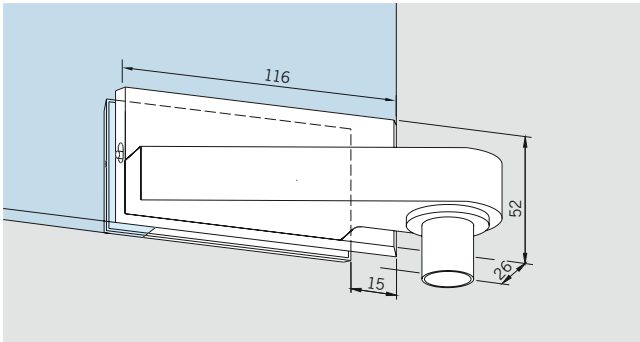
Top patch fitting

counter-plate reduced by 15 mm to give free glass edge at side and top

Art. No. *02.118 / 02.119

Weight in kg:
aluminium 0.728
brass 1.526

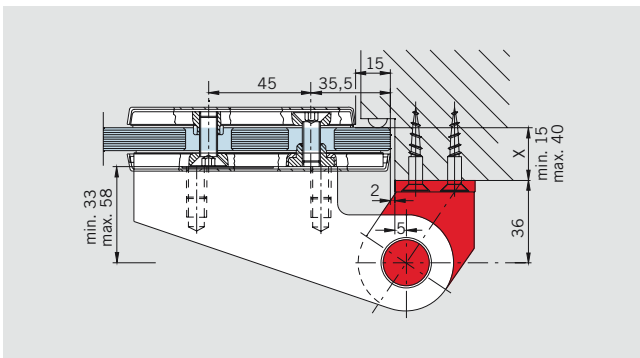
* Order of Art.No.: Left hand / right hand – determined by view from hanging side. (Illustration shows right hand)



Overpanel patch fitting
counter-plate reduced by
15 mm to give free glass edge
at side

Art. No. 02.124 / 02.125

Weight in kg:
aluminium 0.724
brass 1.502



Top patch fitting
complete with pivot for frame
fixing, counter-plate reduced by
15 mm to give free glass edge
at side

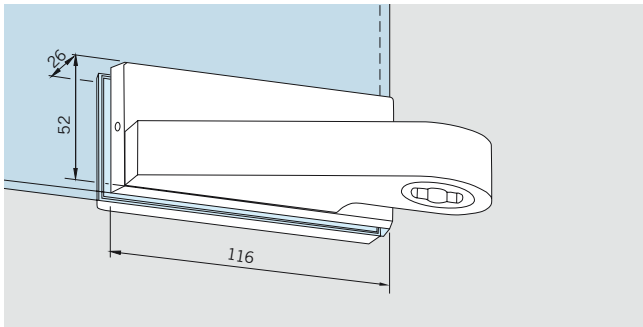
Art. No. *02.208 / 02.209

Weight in kg:
aluminium 0.995
brass 2.076

*Order of Art.No.: Left hand / right hand – determined by view from hanging side.
(Illustration shows right hand)

PATCH FITTINGS FOR OFFSET HUNG DOORS IN TOUGHENED GLASS ASSEMBLIES

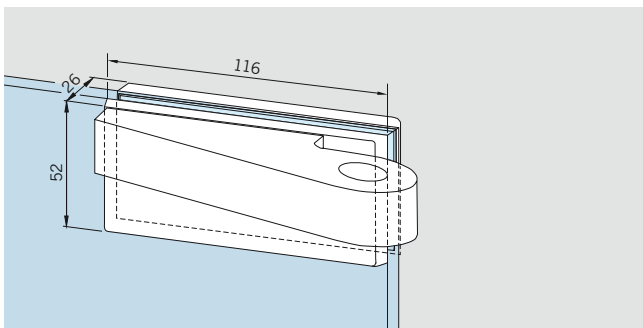
(36 mm offset = 43 mm from pivot point to glass surface), complete, for 10 and 12 mm glass thickness.



Bottom patch fitting
to suit DORMA floor spring
spindle, or round pivot
14 mm Ø

Art. No. *02.100 / 02.101

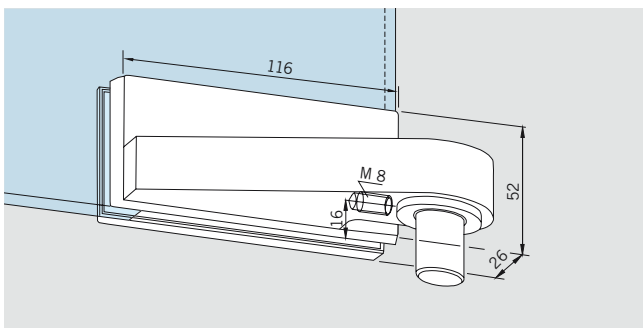
Weight in kg:
aluminium 0.730
brass 1.276



Top patch fitting

Art. No. *02.110 / 02.111

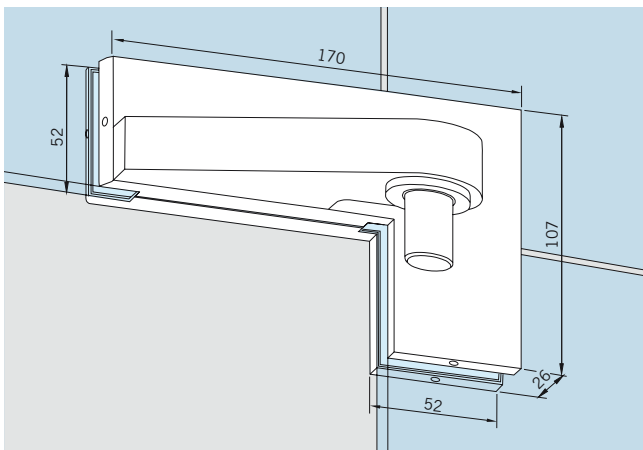
Weight in kg:
aluminium 0.660
brass 1.243



Overpanel patch fitting
bushing outside Ø 20 mm,
pivot Ø 15 mm

Art. No. *02.120 / 02.121

Weight in kg:
aluminium 0.637
brass 1.193

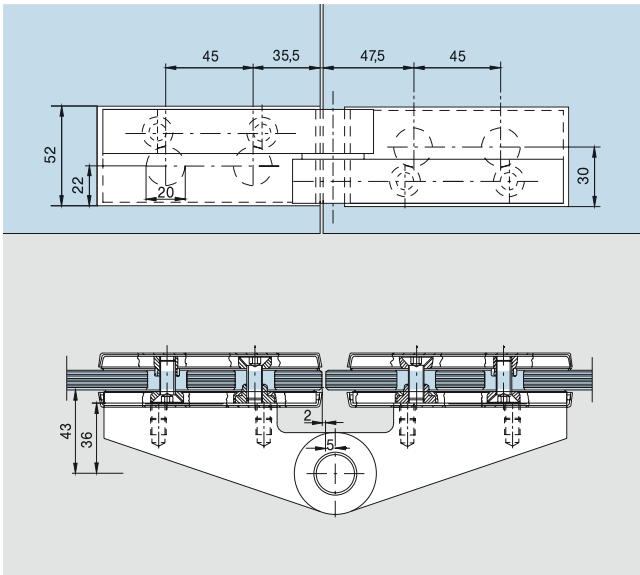


**Patch fitting for overpanel
and sidelight**
bushing outside
Ø 20 mm, pivot Ø 15 mm

Art. No. *02.140 / 02.141

Weight in kg:
aluminium 0.832
brass 1.409

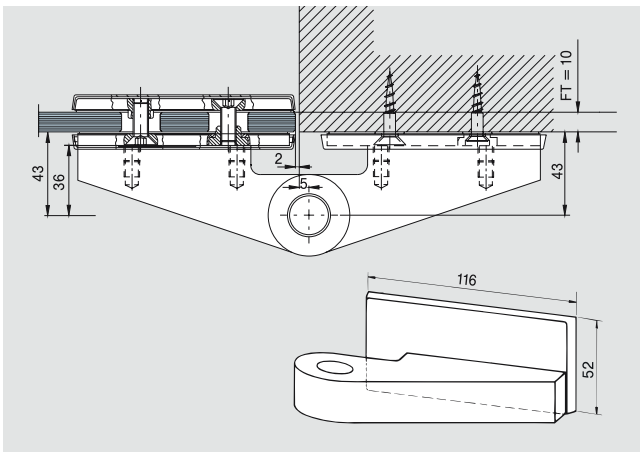
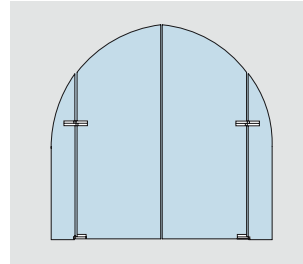
* Order of Art.No.: Left hand / right hand – determined by view from hanging side.
(Illustration shows right hand)



Top patch fitting
complete with pivot for sidelight

Art. No. *02.200 / 02.201

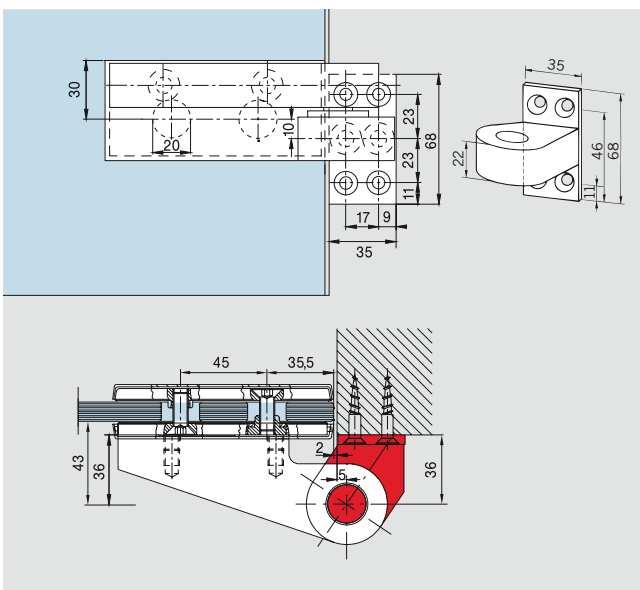
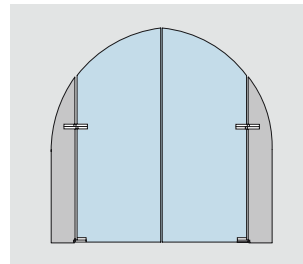
Weight in kg:
aluminium 1.415
brass 2.581



Top patch fitting
complete with pivot for wall fixing

Art. No. *02.202 / 02.203

Weight in kg:
aluminium 1.277
brass 2.528

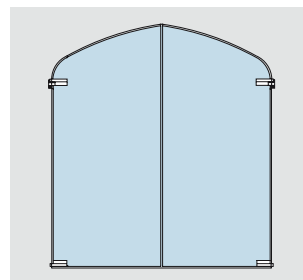


Top patch fitting
complete with pivot for frame fixing

Art. No. *02.204 / 02.205

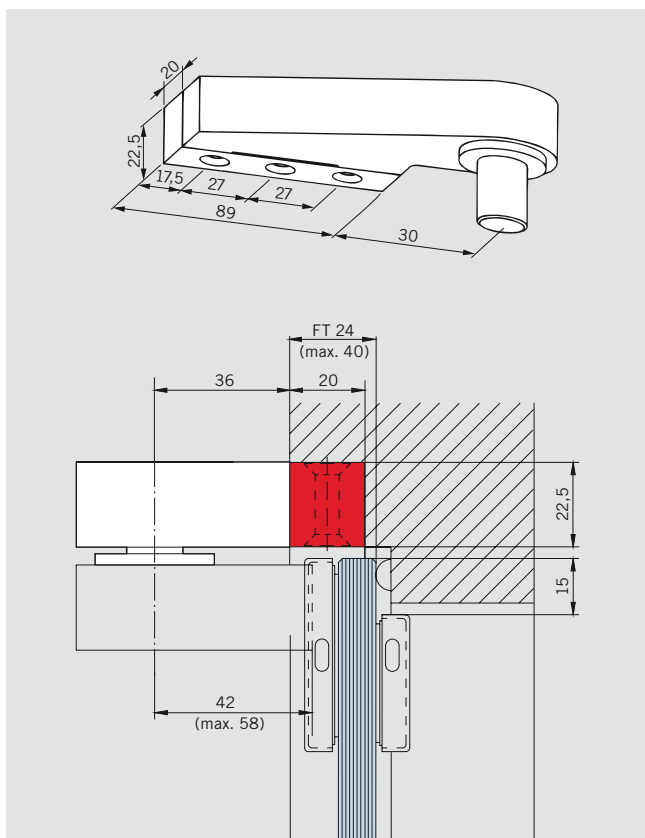
Weight in kg:
aluminium 0.895
brass 1.750

(For frames with rebate see page 58.)



* Order of Art.No.: Left hand / right hand – determined by view from hanging side.
(Illustration shows right hand)

TOP CENTRES FOR WOOD AND STEEL FRAMES

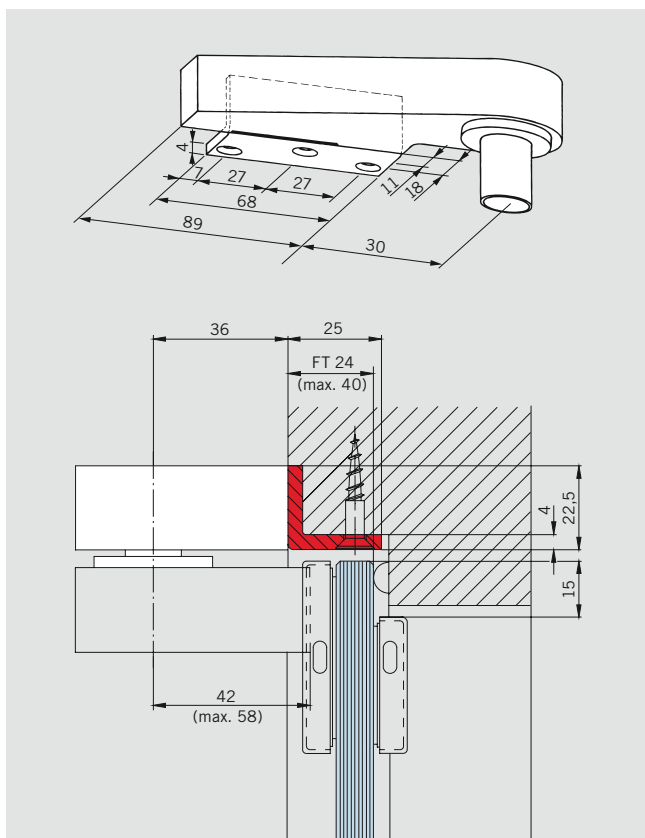


Frame top centre
with fixing block

Art. No. 02.150

Weight in kg:
aluminium 0.471
brass 0.977

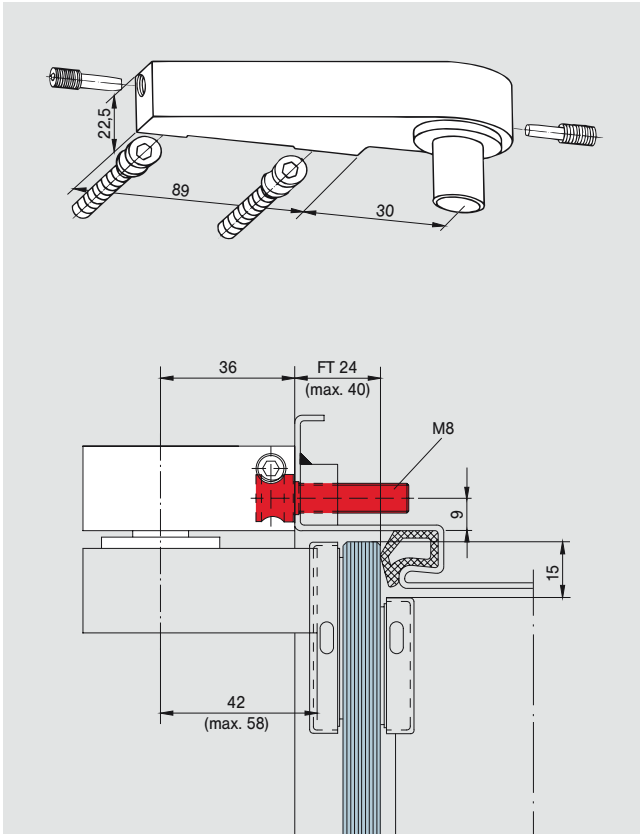
If corner fittings / door rails are combined with frame top centres as described, please indicate rebate depth with order.



Frame top centre
with angle bracket

Art. No. 02.151

Weight in kg:
aluminium 0.453
brass 0.959



Frame top centre
only for steel frames, with
special wedge screw fixing

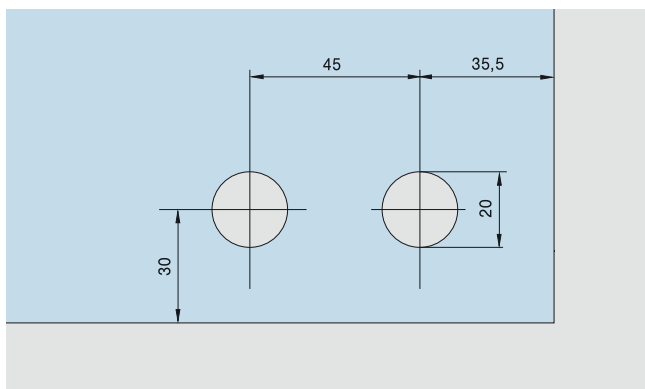
Art. No. 02.152/02.153

Weight in kg:
aluminium 0.390
brass 1.896

Drill jig:

Art. No. 8.02.081.001.50

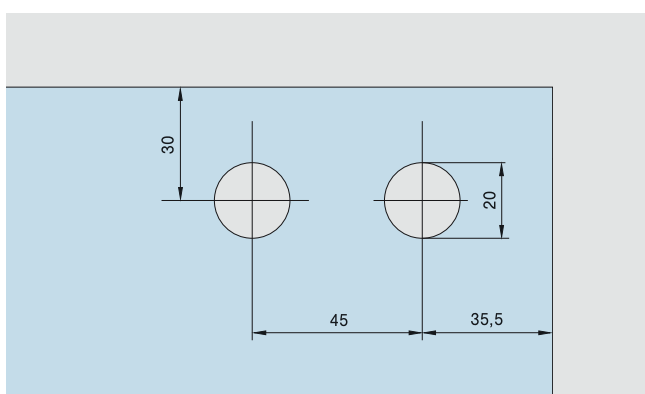
GLASS PREPARATION



Bottom patch fittings

Art. No.	Art. No.
left hand:	right hand:
02.100	02.101
02.102	02.103
02.104	02.105
02.106	02.107
02.108	02.109
02.160	02.161
02.162	02.163

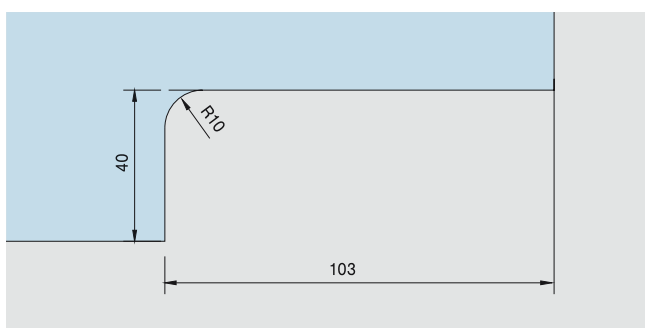
Scale 1 : 2



Top patch fittings

Art. No.	Art. No.
left hand:	right hand:
02.110	02.111
02.112	02.113
02.114	02.115
02.116	02.117
02.118	02.119
02.164	02.165
02.166	02.167

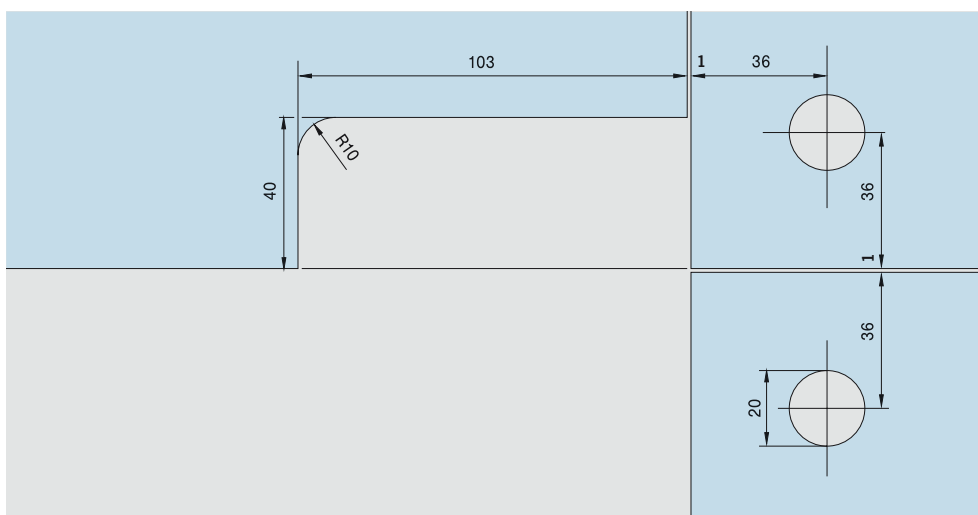
Scale 1 : 2



Overpanel patch fittings

Art. No.	Art. No.
left hand:	right hand:
02.120	02.121
02.122	02.123
02.168	02.169

Scale 1 : 2



Patch fittings for overpanel and sidelight

Art. No.	Art. No.
left hand:	right hand:
02.140	02.141

Scale 1 : 2

ACCESSORIES

General information

134

Floor bearings, Lock keeper plate, Floor sockets

135

Top bearings, pivots

136

Wall connection and cylinders

138

Profiles, Pull handle, handle bars

139

Clamping fittings

143

Universal gasket sets

145

Wall connecting profile system, U-profile

146

Accessories for door closer

154

Safety-related information

157



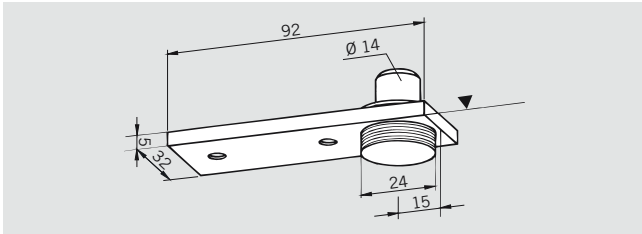
PERFECTION IN DETAIL

Original accessories for patch fittings, door rails and locks, matched to the DORMA-Glas product range, are available.

They ideally complement the range of DORMA-Glas hardware to optimise the technical excellence and cost effectiveness of toughened glass systems of all types.

Aside from functional components such as special floor pivots – including models for wet rooms – DORMA also offers a choice of security-relevant options. Their installation further enhances the exceptional functional efficiency, reliability and long service life expected of DORMA-Glas systems.

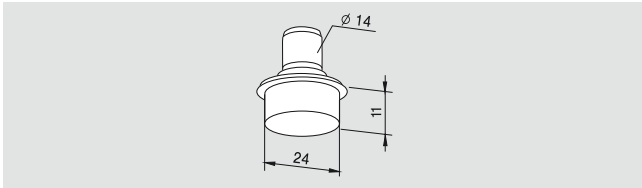
FLOOR BEARING, LOCK KEEPER PLATE, FLOOR SOCKET



Floor pivot bearing
with round pivot 14 mm Ø,
and cover plate;
height adjustable by 5 mm
max. door weight 100 kg

Art. No. 01.106

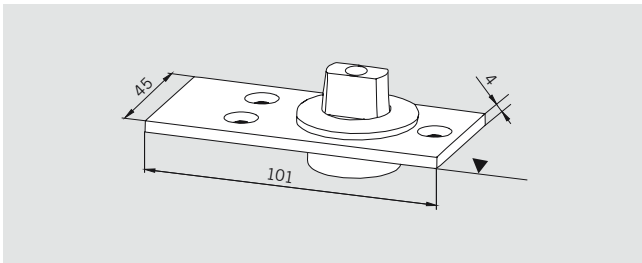
Weight in kg:
aluminium 0.155
brass 0.170
stainless steel 0.169



Floor pivot bearing
with round pivot 14 mm Ø
and pin 24 mm Ø
max. door weight 100 kg

Art. No. 01.107

Weight in kg: 0.078



Floor bearing
with DORMA profile spindle
(longer spindle on request),
max. door weight 200 kg

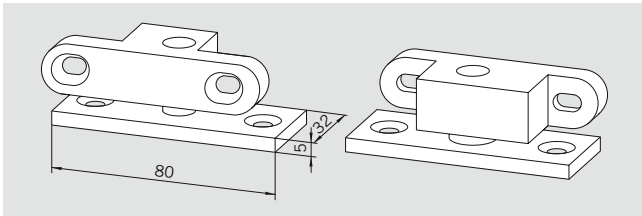
Art. No. 04.602

Weight in kg: 0.254

Stainless steel,
max. door weight 200 kg

Art. No. 04.603

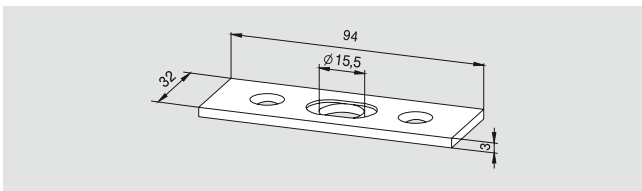
Weight in kg: 0.256



Floor pivot bearing
for damp environments, with
insert for Universal for mounting
onto floor surface
max. door weight 80 kg

Art. No. 01.137

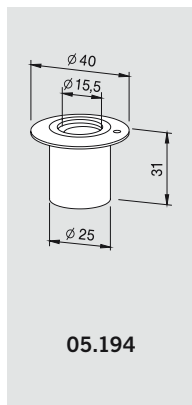
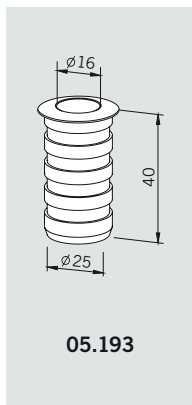
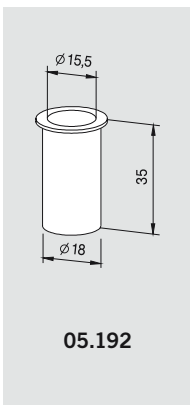
Weight in kg: 0.195



Lock keeper plate,
stainless steel, two parts,
adjustable ± 5 mm

Art. No. 05.190

Weight in kg: 0.048



Floor socket,
zinc coated brass for lock bolt

Art. No. 05.192

Weight in kg: 0.020

Floor socket, aluminium,
with spring and plastic stopper,
dirt protection

Art. No. 05.193

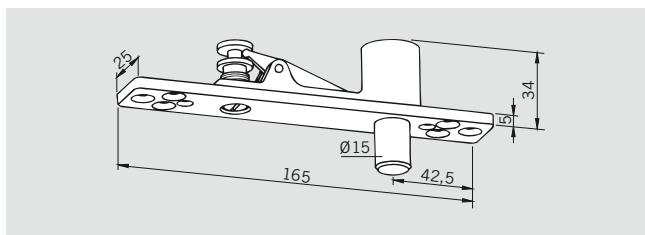
Weight in kg: 0.026

Eccentric socket, eccentric,
zinc coated brass, with
adjustable plastic socket insert

Art. No. 05.194

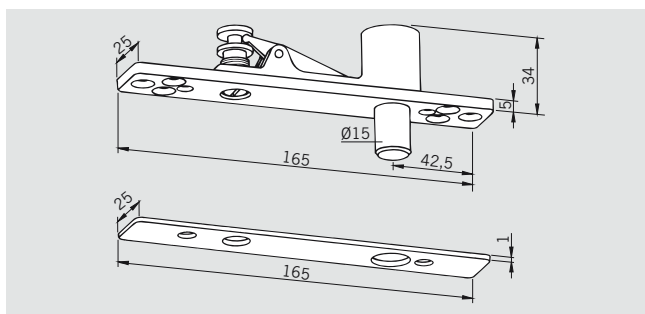
Weight in kg: 0.020

TOP BEARING, PIVOTS



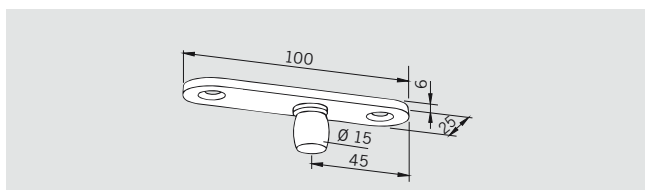
PT 21 frame portion
top centre with removable pin
15 mm Ø

Art. No. 01.117
Weight in kg: 0.335



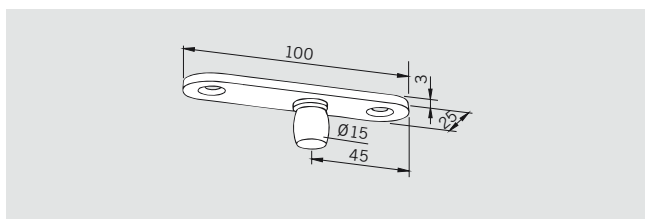
PT 21 frame portion
top centre with removable pin
15 mm Ø, with cover plate

Art. No. 01.118
Weight in kg: 0.345



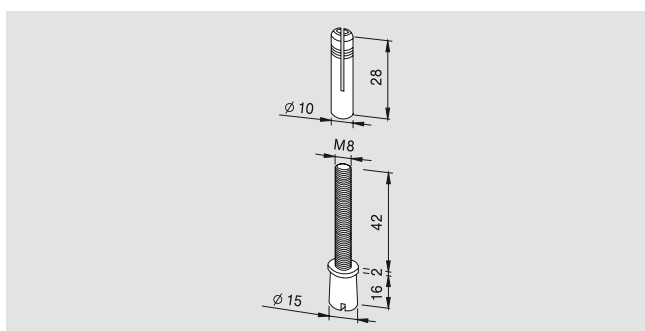
PT 24 pivot
15 mm Ø, with fixing plate,
material thickness 6 mm,
to let **into ceiling**

Art. No. 01.116
Weight in kg:
aluminium 0.058



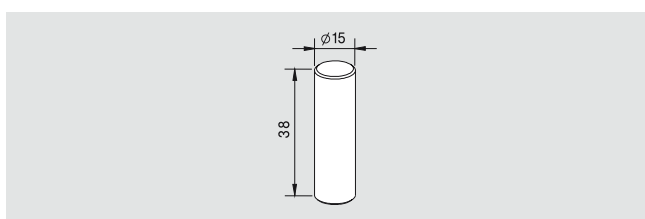
PT 24 pivot
15 mm Ø, with fixing plate,
material thickness 3 mm,
to screw **on the ceiling**

Art. No. 01.123
Weight in kg:
aluminium 0.042
stainless steel 0.074



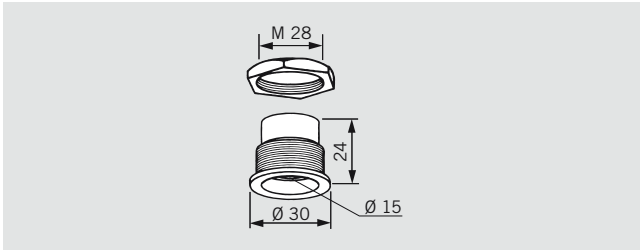
PT 25 pivot
15 mm Ø with plug

Art. No. 01.115
Weight in kg: 0.044



Loose pivot pin
for interface between patch
and rail

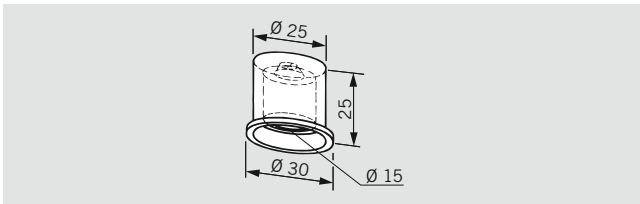
Art. No. 04.601
Weight in kg: 0.050



Top pivot bearing,
brass, nickel plated,
for installation in frame or
ceiling for 15 mm Ø pivot pin

Art. No. 01.129

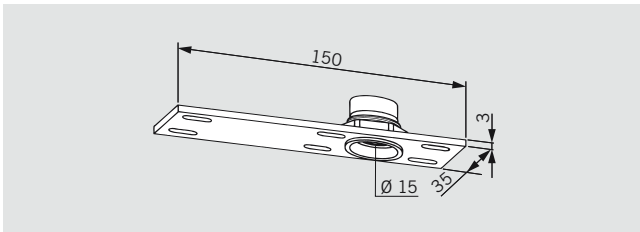
Weight in kg: 0.065



Top pivot bearing,
aluminium, for installation in
frame or ceiling for 15 mm Ø
pivot pin

Art. No. 01.130

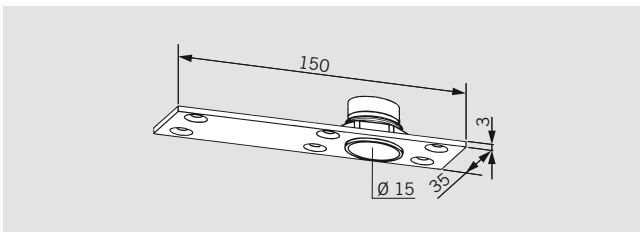
Weight in kg: 0.018



Top pivot bearing
with steel fixing plate,
for 15 mm Ø pivot pin

Art. No. 01.131

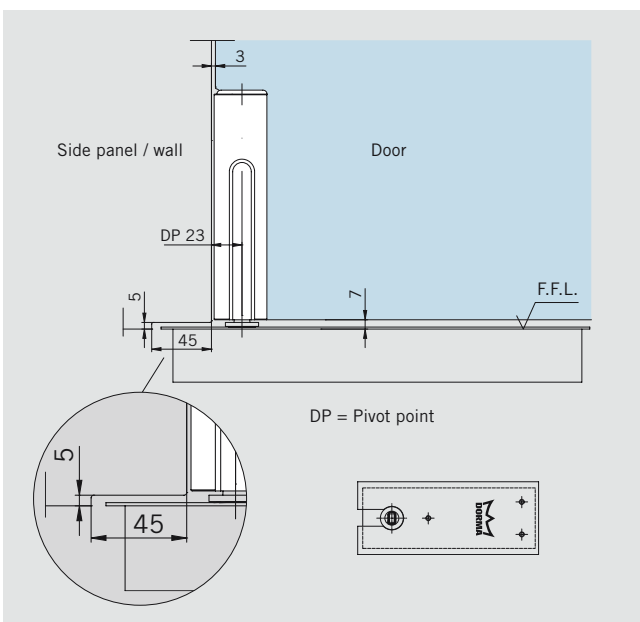
Weight in kg: 0.160



Top pivot bearing
with aluminium fixing plate,
for 15 mm Ø pivot pin

Art. No. 01.132

Weight in kg: 0.099

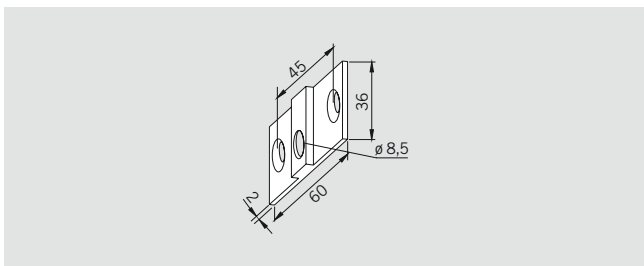


Combination

BEYOND and DORMA BTS

(door closer available from
DORMA Door Control Division)
With the BTS floor spring, the
position of the pivot point
means that the unit has to be
buried under the adjacent wall,
or that the glass side screen has
to be appropriately machined
(see adjacent detail). The height
of the recess cut into the glass
will need to be adapted to the
installation situation and the
means by which the side screen
is fixed.

WALL CONNECTION AND CYLINDERS



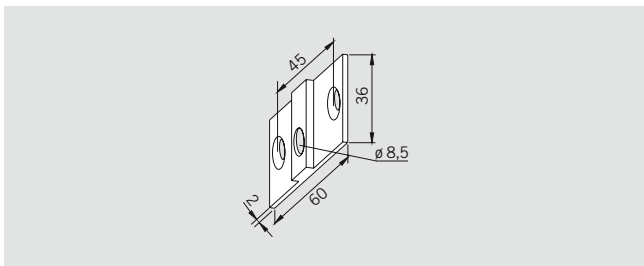
Fixing plate

for overpanel patch PT 30 and
overpanel strike box GK 30

Art. No. 03.128

Weight in kg:
aluminium 0.016
brass 0.038

Stainless steel not available,
satin chrome on brass supplied.



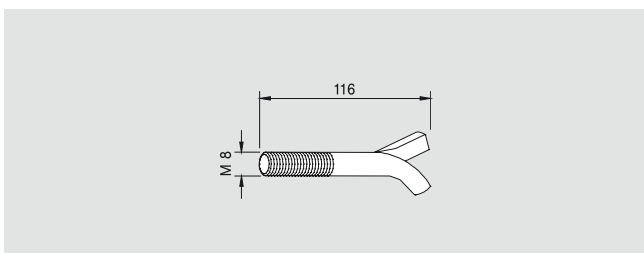
Fixing plate

for overpanel patches from
EP and EA program

Art. No. 01.127

Weight in kg:
aluminium 0.019
brass 0.045

Stainless steel not available,
satin chrome on brass supplied.

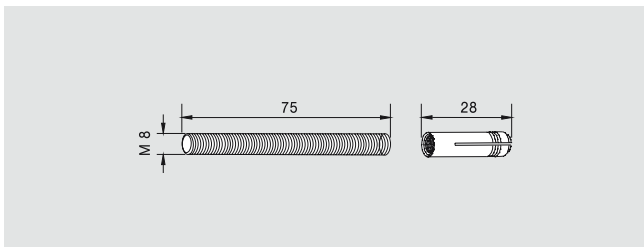


Wall anchor

with thread M 8 for overpanel
patch

Art. No. 01.133

Weight in kg: 0.040

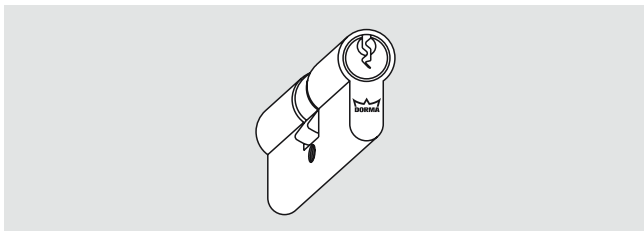


Threaded rod

M 8 with plug for overpanel
patch

Art. No. 01.134

Weight in kg: 0.032



Profile cylinder

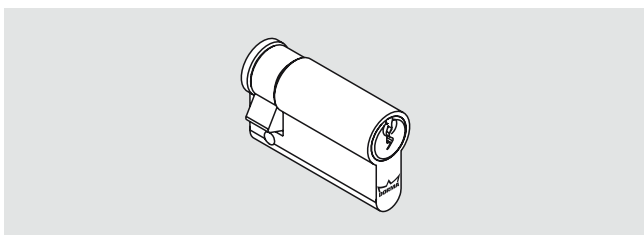
length 61 mm, differently
keyed, with DORMA Logo

Art. No. 05.001

Profile cylinder

length 61 mm, equally keyed,
with DORMA Logo

Art. No. 05.002



Half-profile cylinder

length 31 mm, differently
keyed, with DORMA Logo

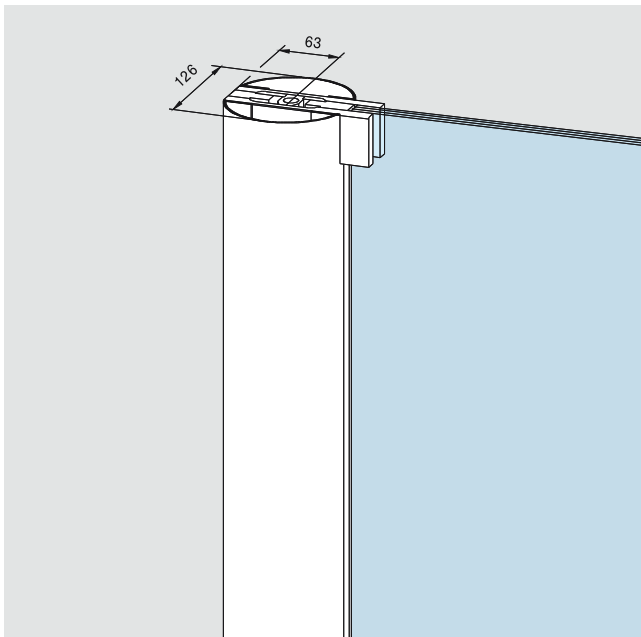
Art. No. 05.003

Half-profile cylinder

length 31 mm, equally keyed,
with DORMA Logo

Art. No. 05.004

PROFILES



Aluminium round profile

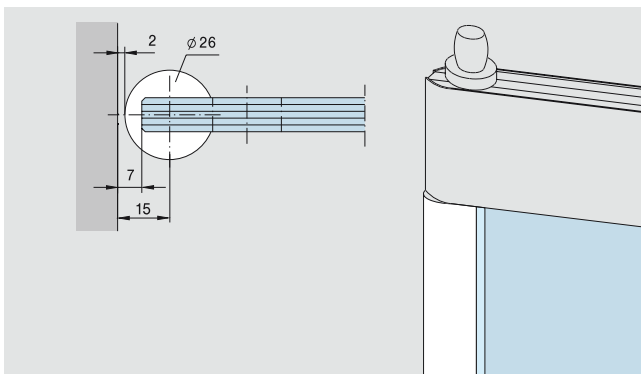
for pinch free doors with 65 mm pivot point, consisting of 2 halves, prepared for Universal fittings or door rails (76.5 mm or 100 mm). Please indicate:

- Panel height (max. 2500 mm, higher dim. on request)
- Required preparation of the profile for top and bottom fittings

Fixed length
Stock length 6000 mm
Stock length 3000 mm

Art. No. 03.380
Art. No. 03.381
Art. No. 03.382

Weight in kg/m:
aluminium 4.744



Radiused edging strip

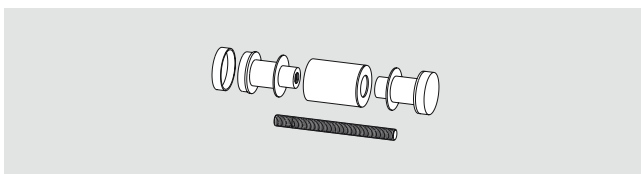
for fittings with 15 mm/18 mm pivot point. For pinch free doors, (strip is clamped onto free glass edge), Acrylic.

Length: up to 4500 mm (specify height)
Length: 2250 mm

Art. No. 01.230
Art. No. 01.231

Weight in kg/m: 0.408

PULL HANDLES, HANDLE BARS

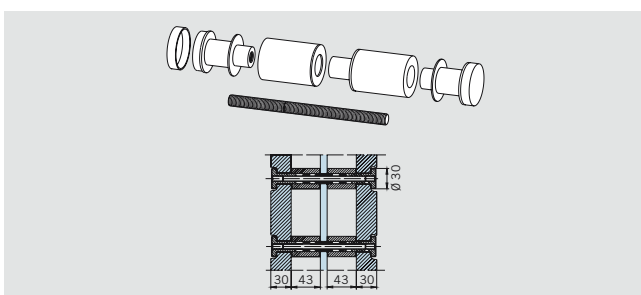


Single pull handle fixings

20 mm Ø hole prep. required

Art. No. 13.001

Weight in kg:
aluminium 0.135

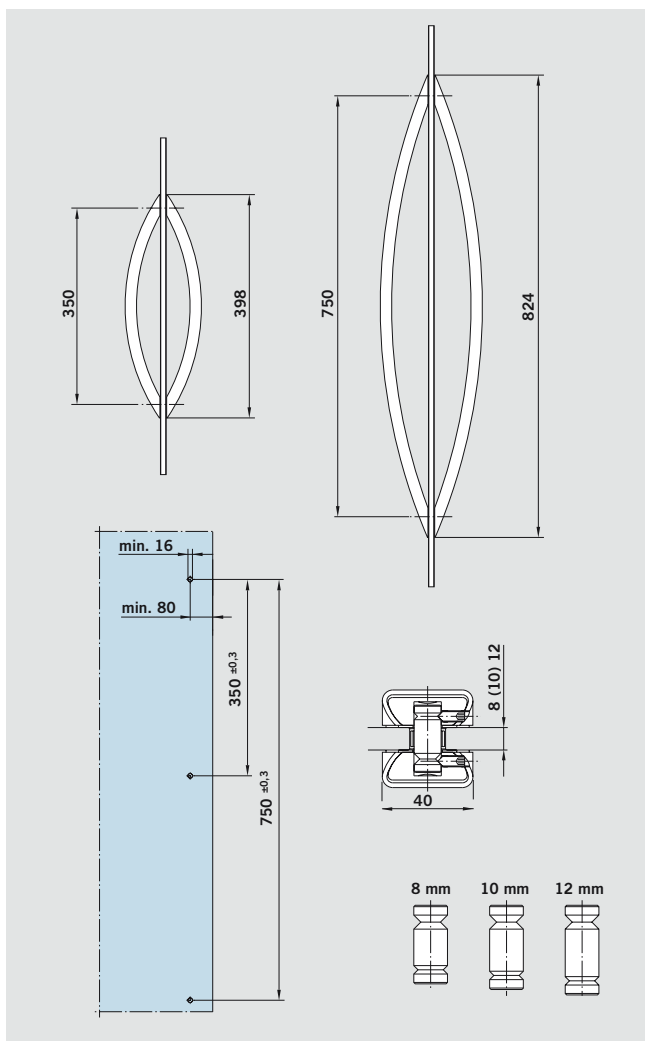


Back to back pull handle fixings

20 mm Ø hole prep. required

Art. No. 13.002

Weight in kg:
aluminium 0.249



ARCOS handle bar

350 mm
2 hole fixing for 8, 10 and
12 mm glass thickness

Art. No. 26.500

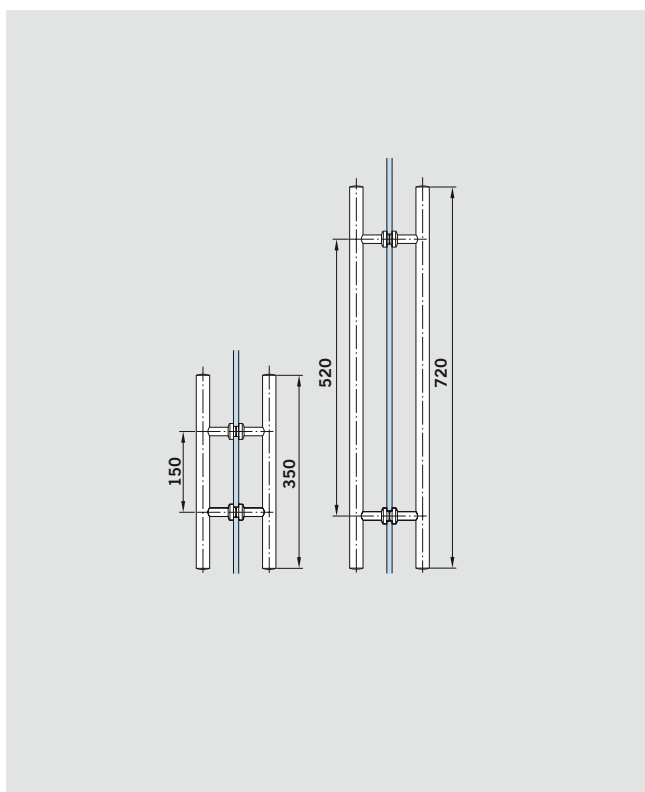
Weight in kg:
aluminium 1.660

ARCOS handle bar

750 mm
2 hole fixing for 8, 10 and
12 mm glass thickness

Art. No. 26.510

Weight in kg:
aluminium 3.260



Pair of handle bars

length 350 mm
2 hole fixing for 8, 10 and
12 mm glass thickness

satin stainless steel

Art. No. 21.267

Weight in kg:
stainless steel 1,254

aluminium

Art. No. 03.400

Weight in kg:
aluminium 1,326

Pair of handle bars

length 720 mm,
2 hole fixing for 8, 10 and
12 mm glass thickness

satin stainless steel

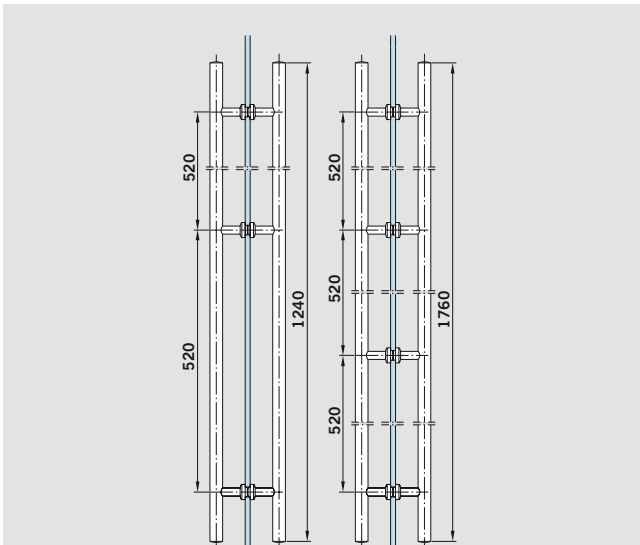
Art. No. 21.270

Weight in kg:
stainless steel 1,947

aluminium

Art. No. 03.402

Weight in kg:
aluminium 2,423



Pair of handle bars

length 1240 mm
3 hole fixing for 8, 10 and 12 mm glass thickness

satin stainless steel

Art. No. 21.273

Weight in kg:
stainless steel 3.400

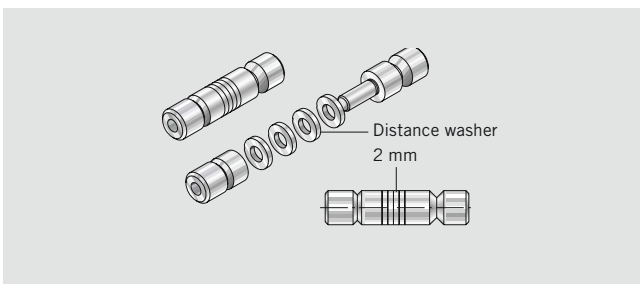
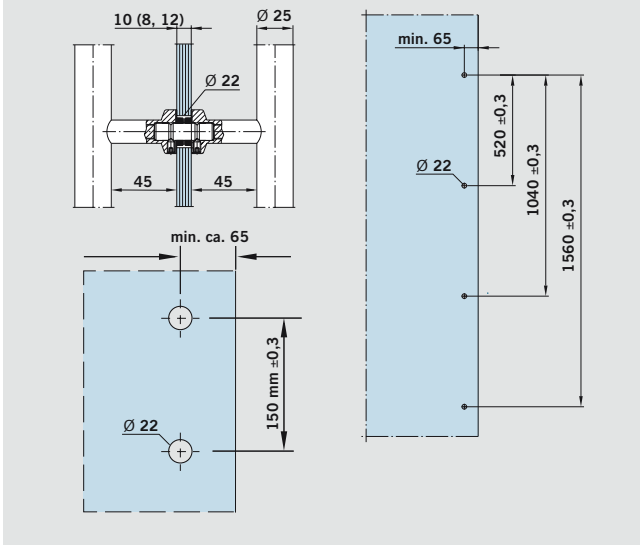
Pair of handle bars

length 1760 mm
4 hole fixing for 8, 10 and 12 mm glass thickness

satin stainless steel

Art. No. 21.276

Weight in kg:
stainless steel 5.000

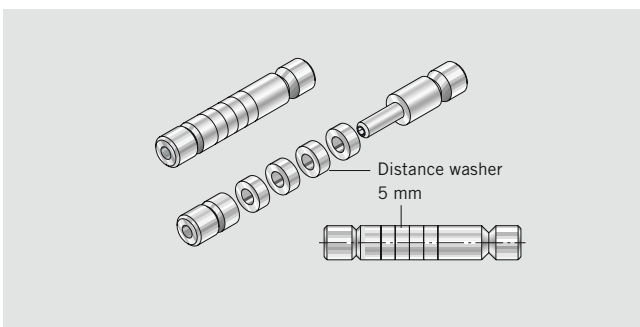


**Conversion set 1 for glass doors,
pair of pull handles satin stainless steel / knob back-to-back**
door thicknesses 13.5–21.5 mm

Art. No. 21.285

door thickness 13.5 mm:
door thickness 15 mm:
door thickness 17.5 mm:
door thickness 19 mm:

without distance washer
with 1 distance washer
with 2 distance washer
with 3 distance washer

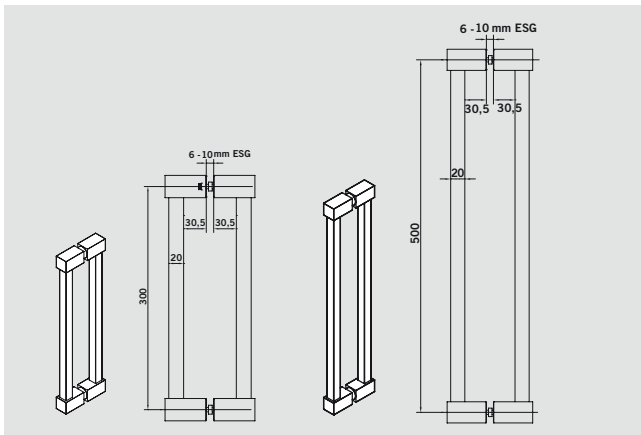


**Conversion set 2 for timber doors,
pair of pull handles satin stainless steel / knob back-to-back**
door thicknesses 20–40 mm

Art. No. 21.286

door thickness 20 mm:
door thickness 25 mm:
door thickness 30 mm:
door thickness 35 mm:
door thickness 40 mm:

without distance washer
with 1 distance washer
with 2 distance washer
with 3 distance washer
with 4 distance washer



Handle bar „Square“

Aluminium
double sided, for 8–10 mm
glass thickness

2 hole fixing 300 mm

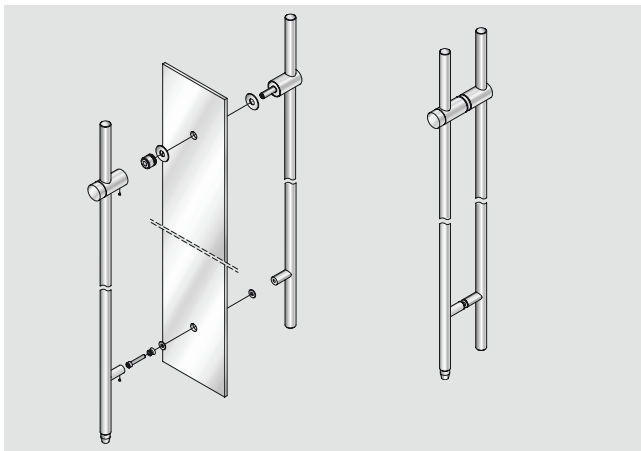
Art. No. 75.084

Weight in kg: 1.174

2 hole fixing 500 mm

Art. No. 75.085

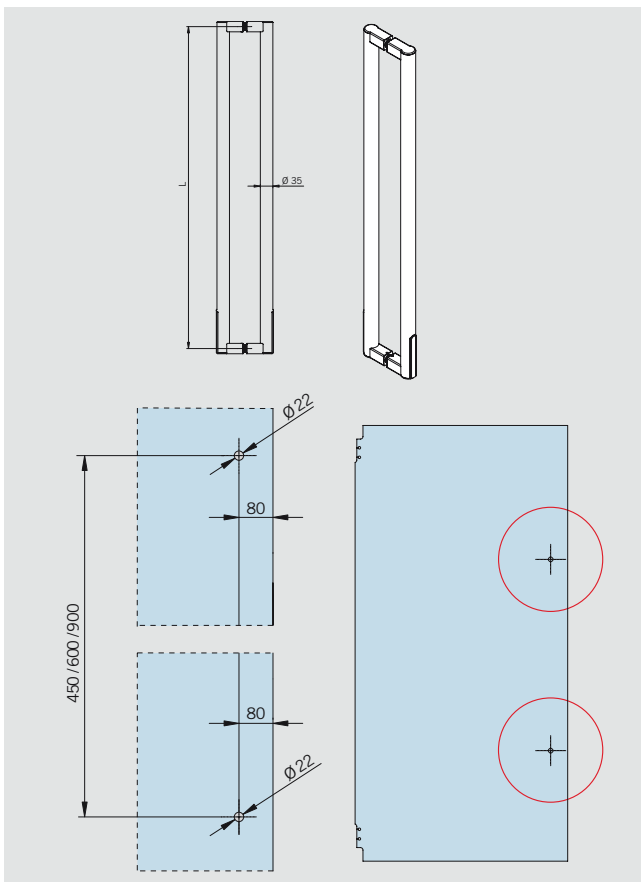
Weight in kg: 1.605



Lockable back to back handle bar

Art. No. 21.279

for 6–16 mm glass,
1225 mm, with 2 fixings,
complete with closing device
and cylinder



BEYOND handle bar

for 10 an 12 mm glass,
two hole fixing

Length (L) 450 mm

Art. No. 30.300

Length (L) 600 mm

Art. No. 30.305

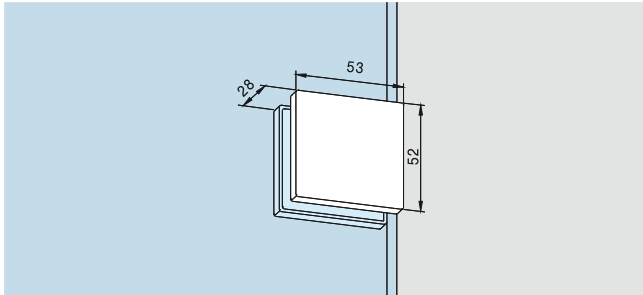
Length (L) 900 mm

Art. No. 30.310

CLAMPING FITTINGS

Important information:

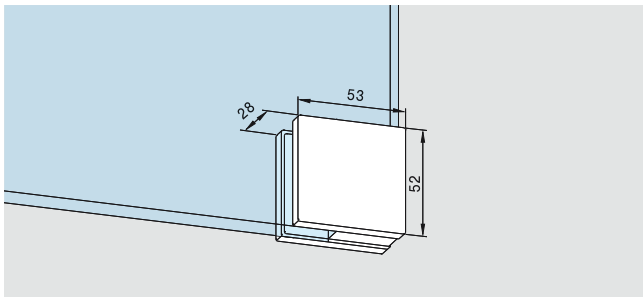
For free hanging mounting of glass please use safety clamping fittings. Torque for fixing screws 15 Nm (M 6=Allan key size 5). 20 kg load for each clamping fitting.



PT 90 Srew on fitting

Art. No. 07.021

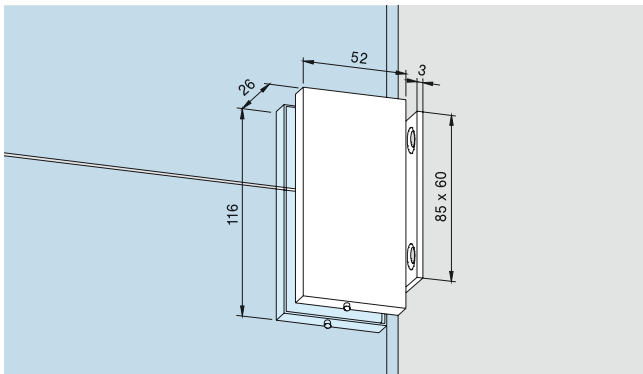
Weight in kg:
 aluminium 0.120
 brass 0.160
 stainless steel 0.155



PT 91 corner fitting

Art. No. 07.023

Weight in kg:
 aluminium 0.120
 brass 0.160
 stainless steel 0.155

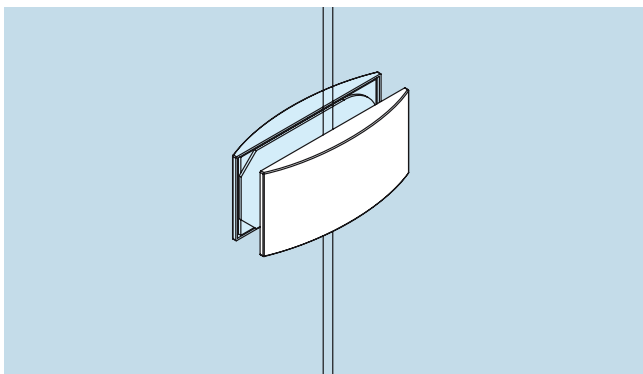


**Side connector
 with fixing plate**

Art. No. 01.153

Also suitable for 12 mm glass thickness

Weight in kg:
 aluminium 0.313
 stainless steel 0.376

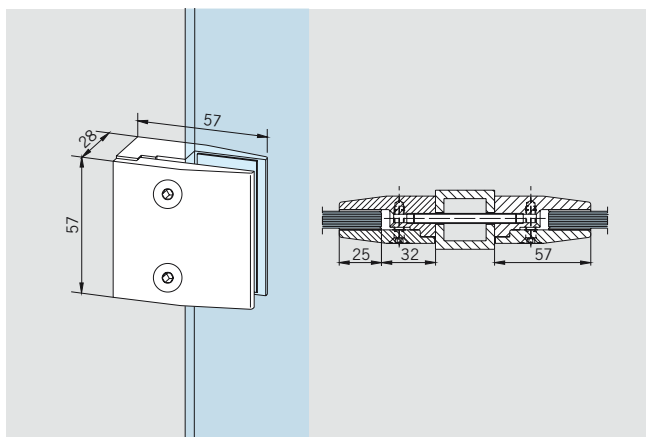


**Overpanel-sidelight
 connector**

Art. No. 12.536

Glass preparation see page 31.

Weight in kg:
 aluminium 0,146

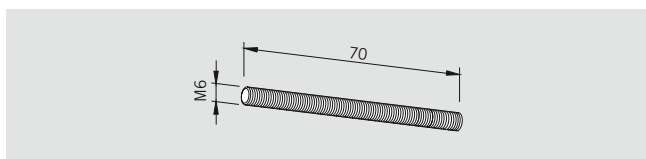


Clamping fitting, right angle
with screw thread M 6

for 8 mm glass thickness: **Art. No. 07.008**
Weight in kg: aluminium 0.185

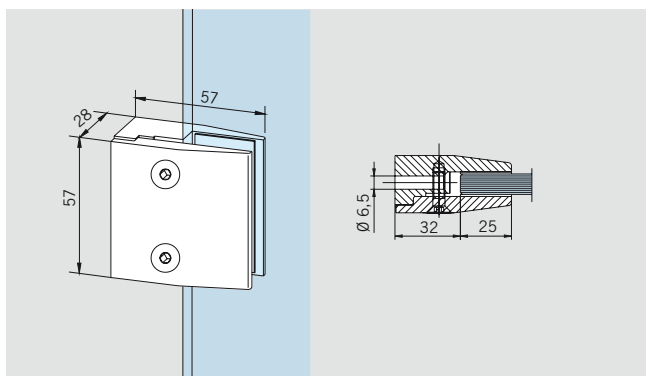
for 10 mm glass thickness: **Art. No. 07.009**
Weight in kg: aluminium 0.181

for 12 mm glass thickness: **Art. No. 07.010**
Weight in kg: aluminium 0.180



Threaded bolt
M 6 x 70 mm, zinc plated

Art. No. 07.020
Weight in kg: aluminium 0.012

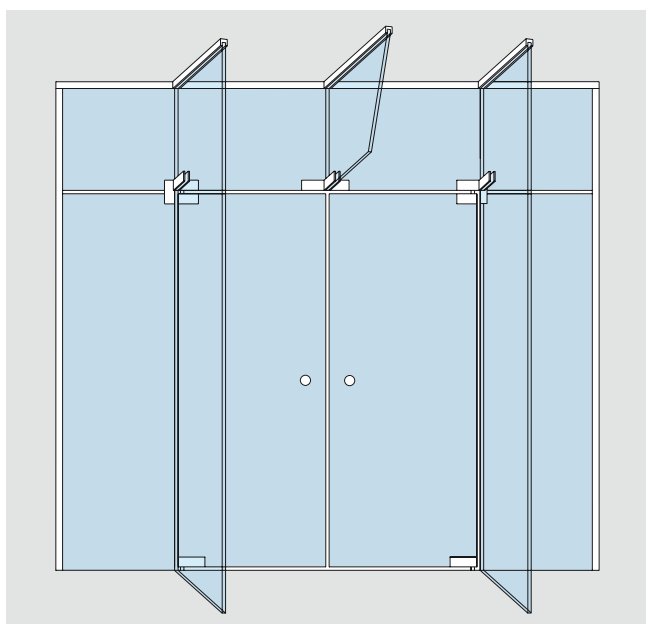


Clamping fitting,
aluminium, with passage hole
for M 6 thread

for 8 mm glass thickness: **Art. No. 07.037**
for 10 mm glass thickness: **Art. No. 07.038**
for 12 mm glass thickness: **Art. No. 07.039**

Weight in kg: aluminium 0.180

USAGE AND ASSEMBLY OF FINS



Fins see pages 12–17 and 21.
Other assemblies on request.

Fin fittings and corner connectors do not have a supporting structure. Overpanels, side-lights and fins have to be fixed securely to the ceiling by DORMA wall connecting profiles or similar systems.

UNIVERSAL GASKET SETS

Gasket sets for 12 mm glass thickness

for PT10/20/22/29/30/GK30	Art. No. 03.900
for US 10/20/GK50	Art. No. 03.901
for PT40/41/42/GK40/41/42	Art. No. 03.902
for PT51	Art. No. 03.903
for PT60/61/62	Art. No. 03.904
for PT70/71	Art. No. 03.905
for PT80/81	Art. No. 03.906
for PT80 semi-high	Art. No. 03.907
for PT90/91	Art. No. 03.908
for sidelight connector 01.153	Art. No. 03.909
for patch fitting 03.198, for patch fittings with 15 mm pivot point 01.200/ 01.201, 01.210/ 01.220	Art. No. 03.910
for patch fittings for overpanels with 15 mm pivot point 01.240/ 01.245	Art. No. 03.911

Gasket sets for 8 mm glass thickness

for PT10/20/22/29/30/GK30	Art. No. 03.920
for US 10/20/GK50	Art. No. 03.921
for PT40/41/42/GK40/41/42	Art. No. 03.922
for PT51	Art. No. 03.923
for PT60/61/62	Art. No. 03.924
for PT70/71	Art. No. 03.925
for PT80/81	Art. No. 03.926
for PT80 semi-high	Art. No. 03.927
for PT90/91	Art. No. 03.928
for sidelight connector 01.153	Art. No. 03.929
for patch fitting 03.198	Art. No. 03.930